

[54] **BACKLESS CHAIR OR SIMILAR ARTICLE**

[76] Inventor: **Suzanne M. Hanson**, 1912 Limetree Lane, Mountain View, Calif. 94040

[**] Term: **14 Years**

[21] Appl. No.: **70,429**

[22] Filed: **Aug. 28, 1979**

[51] Int. Cl. **D6-01**

[52] U.S. Cl. **D6/58; D6/36; D6/76; D6/177**

[58] Field of Search **D6/26, 27, 145, 146, D6/149, 175, 177, 178, 179, 32, 36, 58**

[56] **References Cited**

U.S. PATENT DOCUMENTS

- D. 159,947 9/1950 Bell D6/58
- D. 213,496 3/1969 Wormser D6/58

- D. 228,432 9/1973 Cross, Jr. D6/177
- D. 233,872 12/1974 Jester D6/177

OTHER PUBLICATIONS

House Beautiful, 5-1977, p. 164, Table left center.

Primary Examiner—Bruce W. Dunkins

[57] **CLAIM**

The ornamental design for a backless chair or similar article, as shown and described.

DESCRIPTION

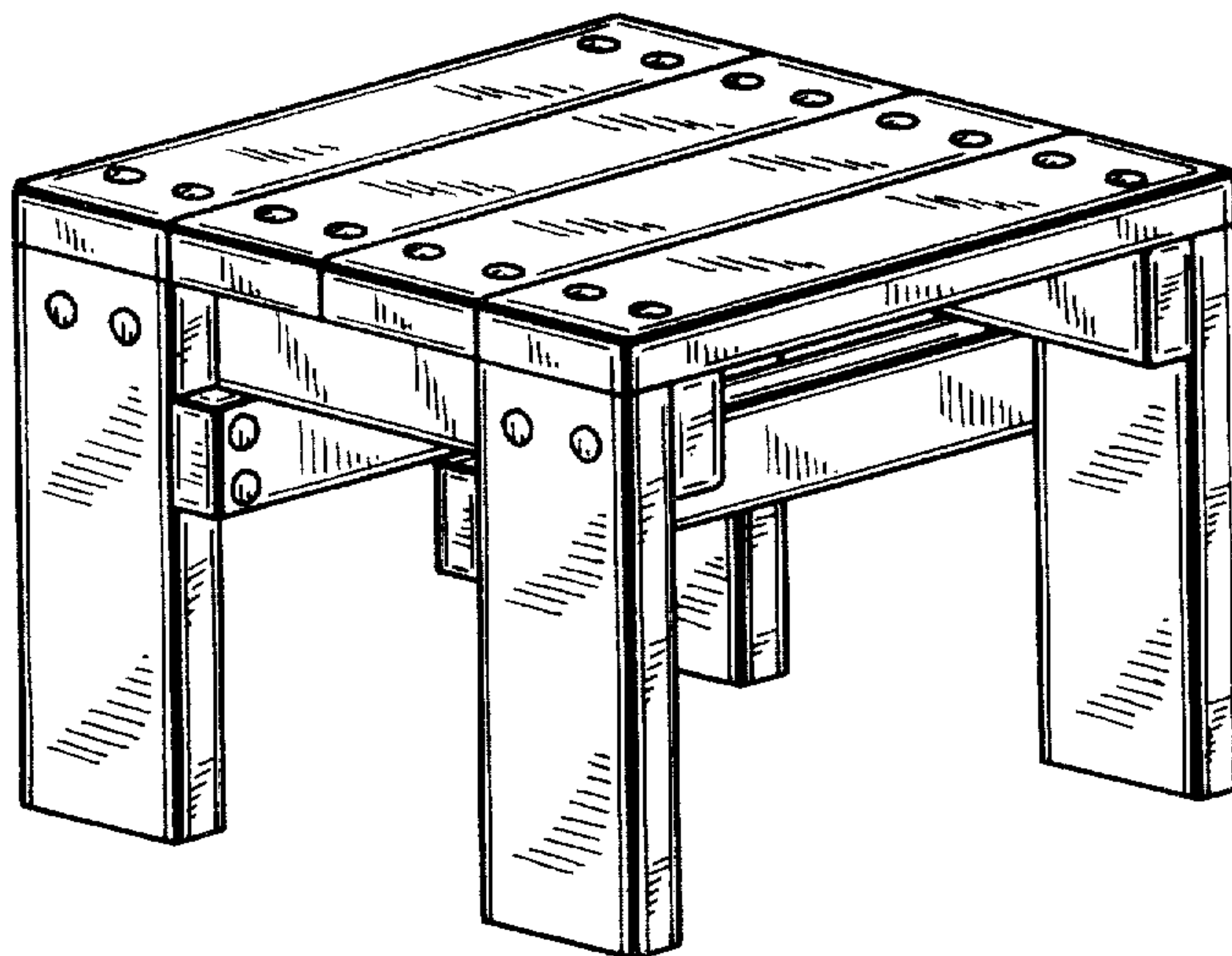
FIG. 1 is a perspective view of a backless chair or similar article showing my new design; and

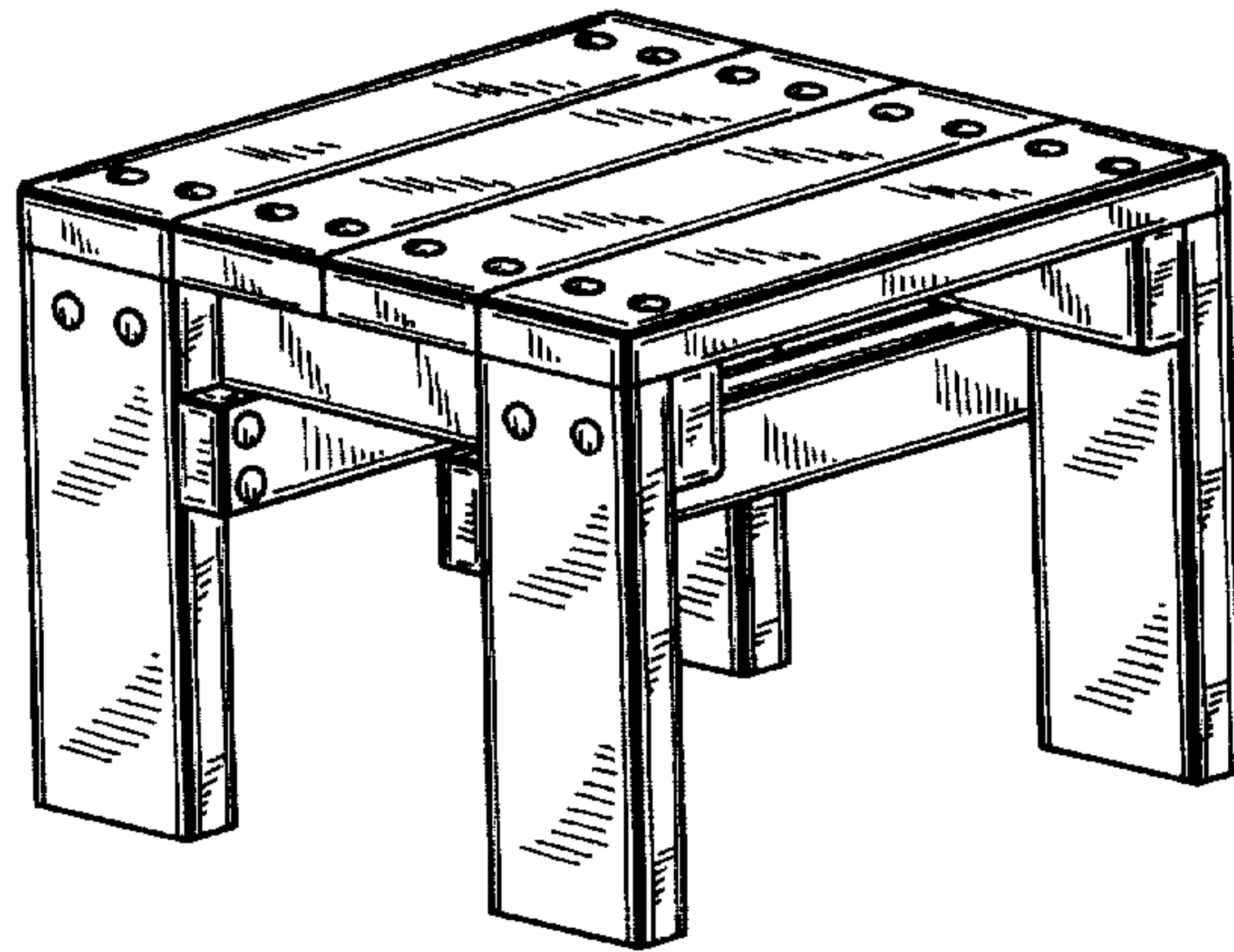
FIG. 2 is a top view thereof;

FIG. 3 is a front side elevational view thereof;

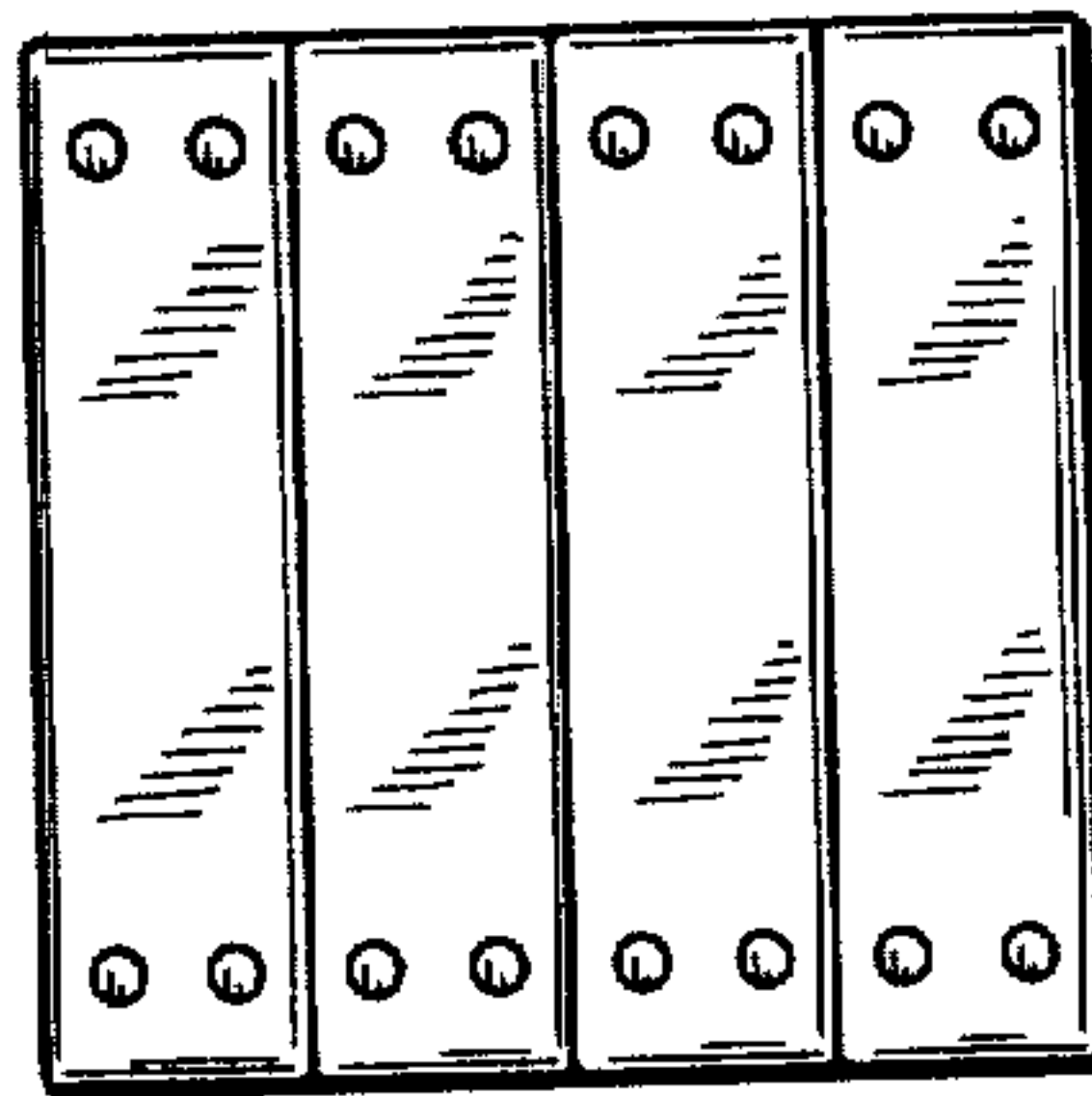
FIG. 4 is a right side elevational view thereof.

The side and end not shown are mirror images of the side and end shown in FIGS. 3 and 4, respectively.

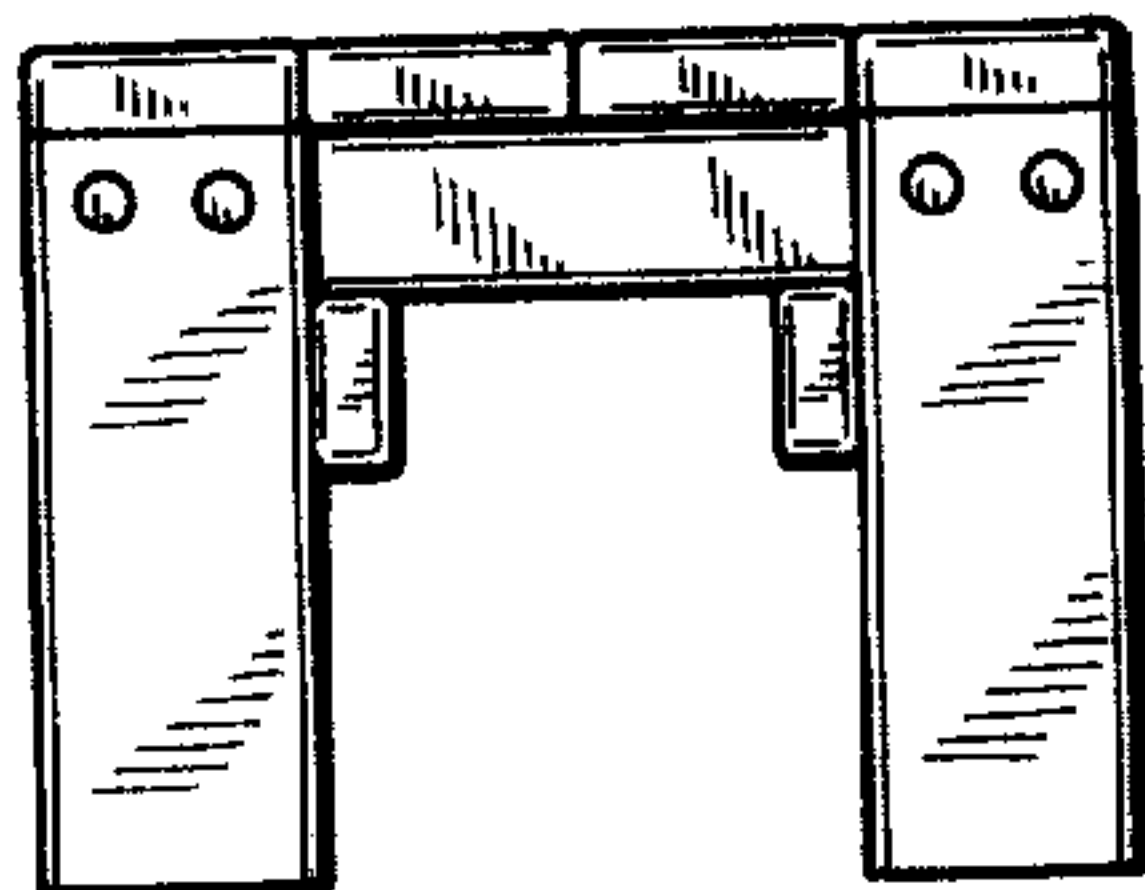




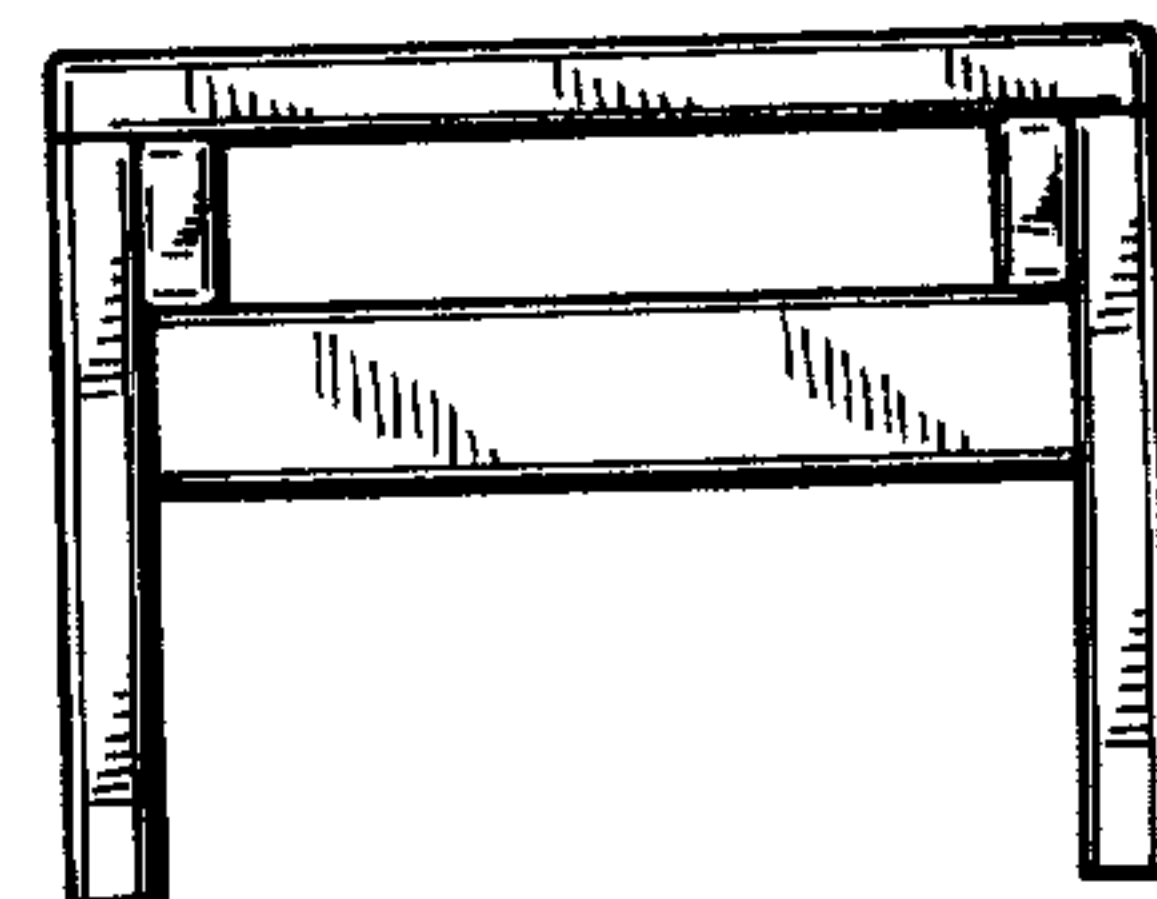
FIG_1



FIG_2



FIG_3



FIG_4