

- [54] WEARABLE TACKLE BOX
- [75] Inventor: Gary B. Ader, Spirit Lake, Iowa
- [73] Assignee: Berkley and Company, Inc., Spirit Lake, Iowa
- [**] Term: 14 Years
- [21] Appl. No.: 120,367
- [22] Filed: Feb. 11, 1980
- [51] Int. Cl. D2-99
- [52] U.S. Cl. D2/406; D2/400
- [58] Field of Search D2/406, 400; 224/253, 224/163

3,317,097 5/1967 Giordano 224/253

Primary Examiner—Lester L. Lee
Attorney, Agent, or Firm—Schroeder, Siegfried, Vidas, Steffey & Arrett

[57] CLAIM

The ornamental design for a wearable tackle box, as shown and described.

DESCRIPTION

FIG. 1 is a perspective view from the front, left side, and above, in the open position, of the wearable tackle box showing my new design;
 FIG. 2 is a perspective view from the rear, right side, and below, in the open position, thereof;
 FIG. 3 is a perspective view taken from the front, left side, and above, in the closed position, thereof; and
 FIG. 4 is a perspective view taken from the rear, right side, and below, in the closed position, thereof.

- [56] **References Cited**
- U.S. PATENT DOCUMENTS**
- D. 174,914 6/1955 McGee D2/400
- D. 238,725 2/1976 Zerobnick et al. D2/381

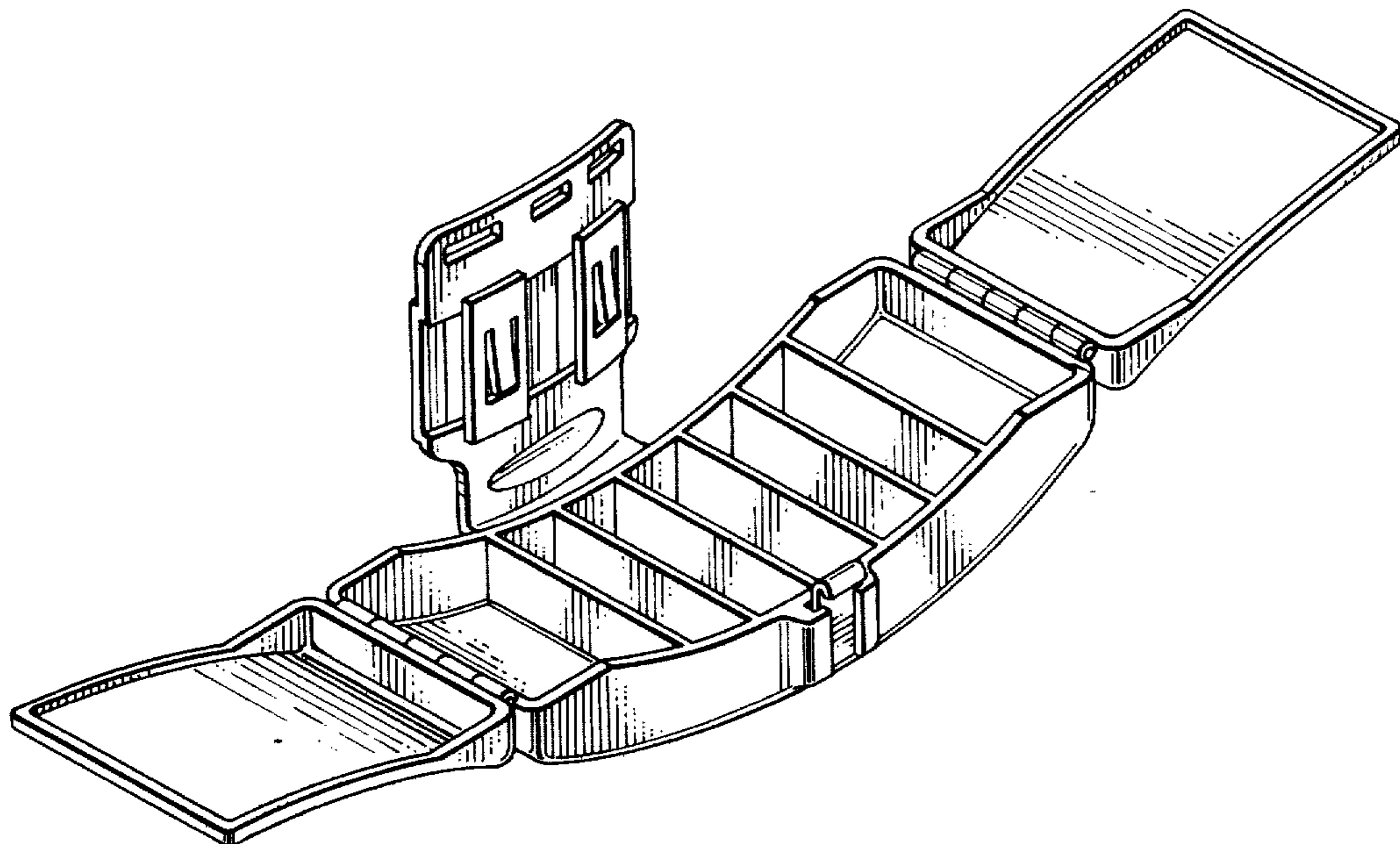


Fig. 1

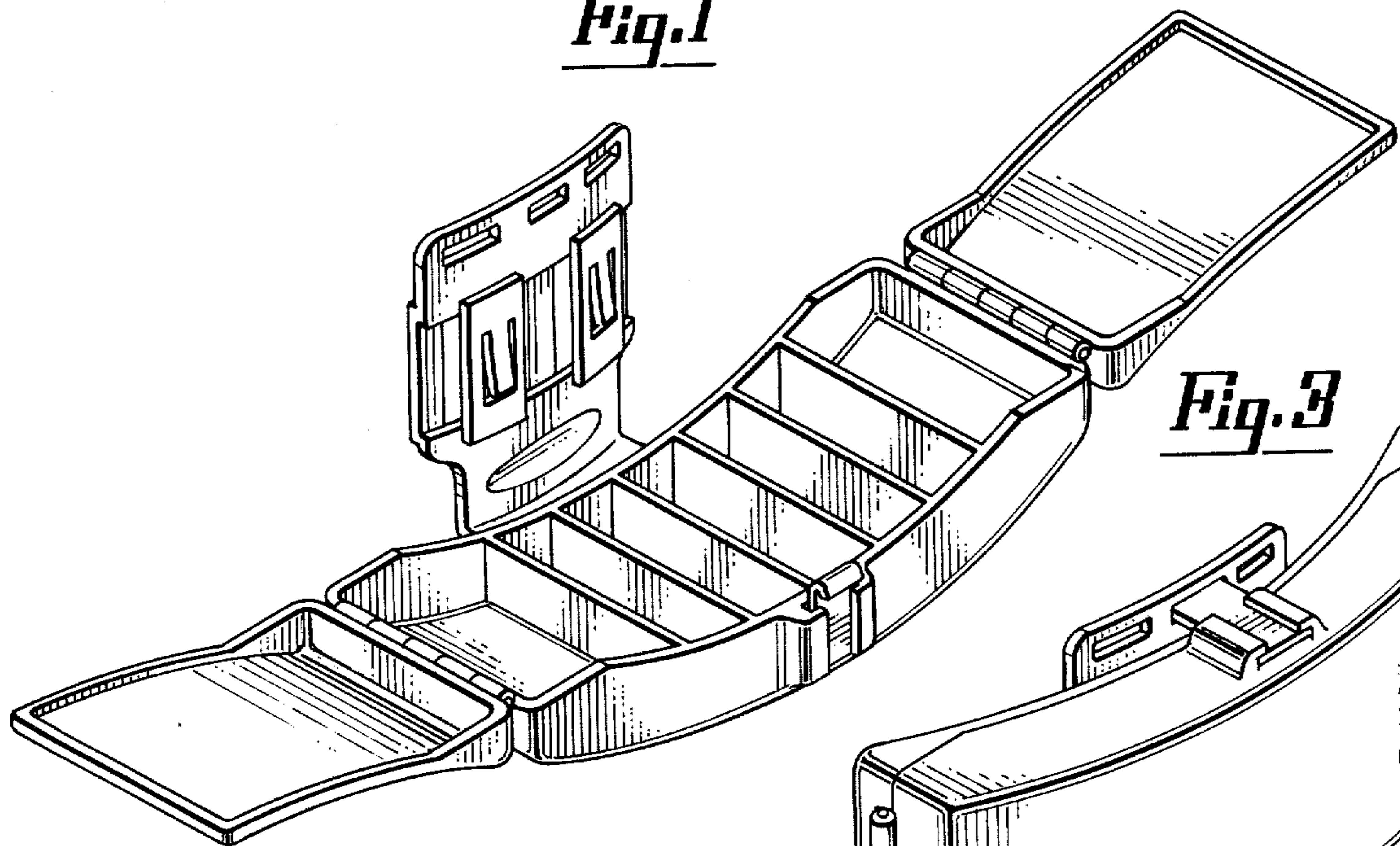


Fig. 3

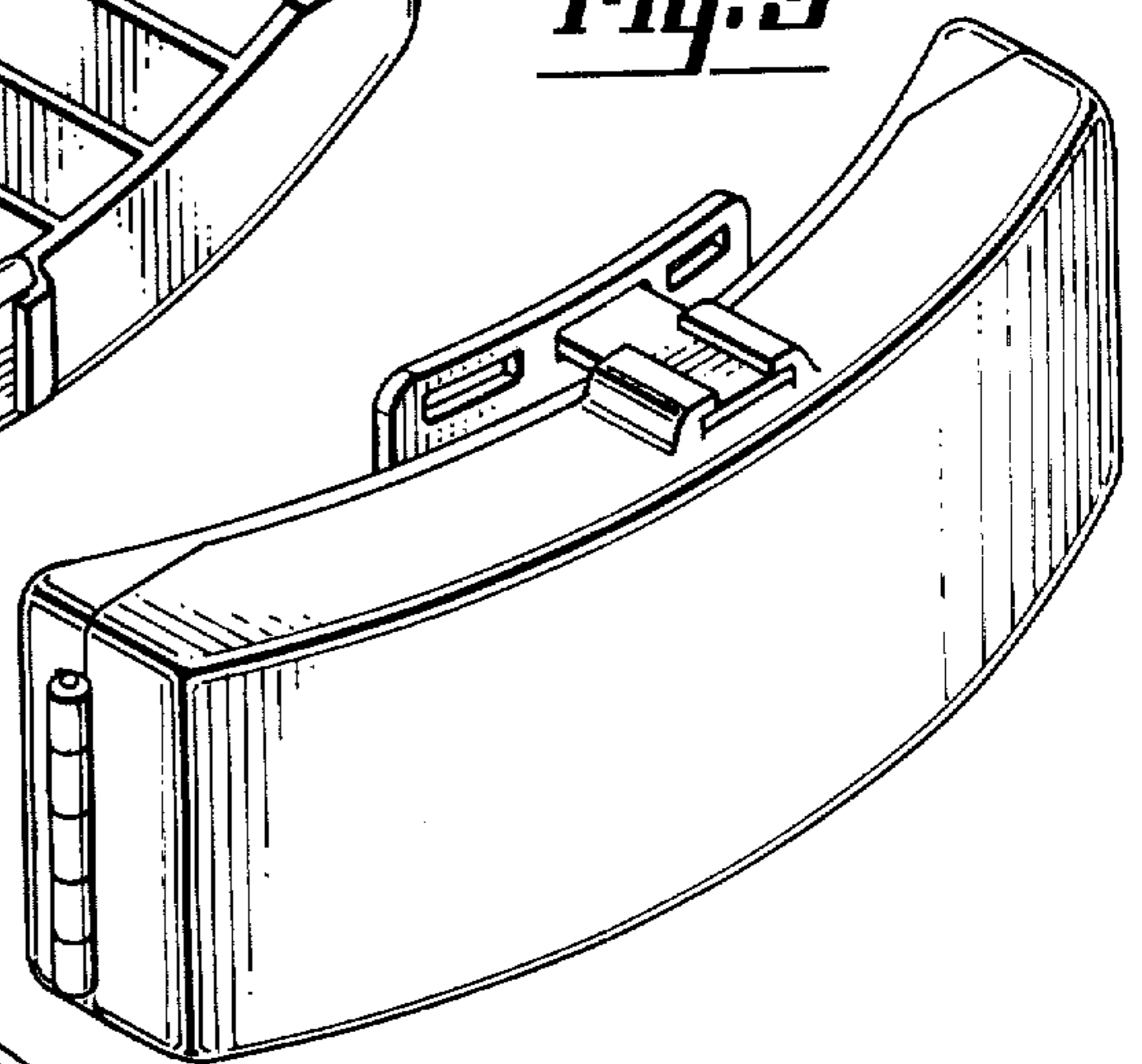


Fig. 2

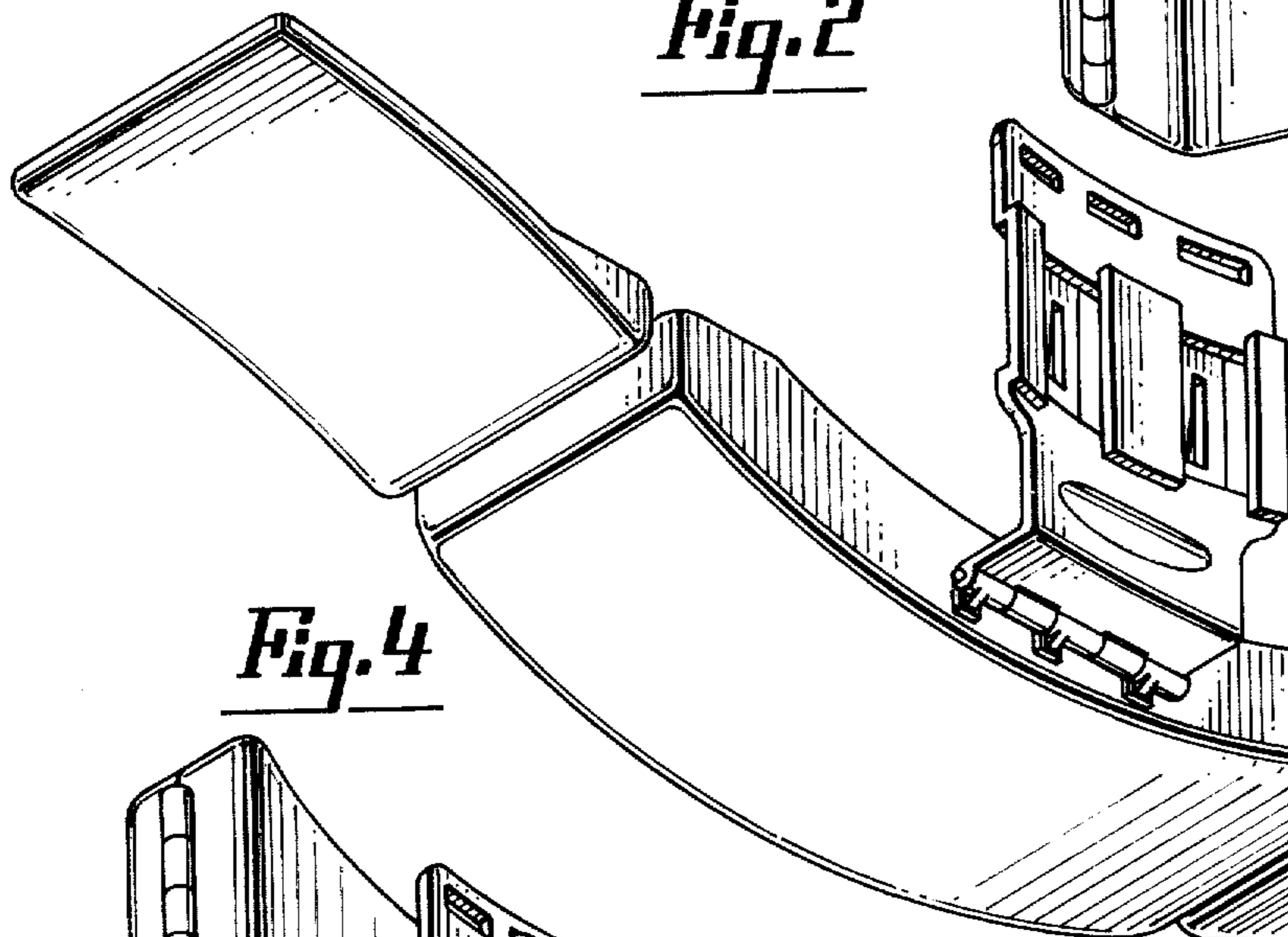


Fig. 4

