

[54] **ORTHOPEDIC REPAIR AND MOBILITY DEVICE**

[76] Inventor: **Scott K. Ellington, 977 Pine St., #305, San Francisco, Calif. 94108**

[\*\*] Term: **7 Years**

[21] Appl. No.: **115,718**

[22] Filed: **Jan. 28, 1980**

[51] Int. Cl. .... **D2-04**

[52] U.S. Cl. .... **D2/314; D21/226; D24/64**

[58] **Field of Search** ..... **D2/314, 315; D21/226, D21/227; D24/33, 49, 64; 272/90, 94, 96; 128/80 R, 80 A-80 J, 82 R, 83 R, 83.5; 280/11.1 R, 11.25, 11.27**

[56] **References Cited**

**U.S. PATENT DOCUMENTS**

- |            |        |        |       |             |
|------------|--------|--------|-------|-------------|
| D. 231,999 | 7/1974 | Engman | ..... | D21/226     |
| D. 244,706 | 6/1977 | Vela   | ..... | D21/227     |
| 2,400,534  | 5/1946 | Celmer | ..... | 280/11.25 X |

- |           |         |           |       |             |
|-----------|---------|-----------|-------|-------------|
| 4,082,306 | 4/1978  | Sheldon   | ..... | D21/227 X   |
| 4,155,565 | 5/1979  | deCaussin | ..... | 280/11.27 X |
| 4,229,001 | 10/1980 | Roman     | ..... | 272/96      |

*Primary Examiner*—Nelson C. Holtje

[57] **CLAIM**

The ornamental design for orthopedic repair and mobility device, as shown.

**DESCRIPTION**

FIG. 1 is a top and left rear perspective view of an orthopedic repair and mobility device showing my new design, the strap housing being omitted for ease of illustration;

FIG. 2 is a top plan view thereof;

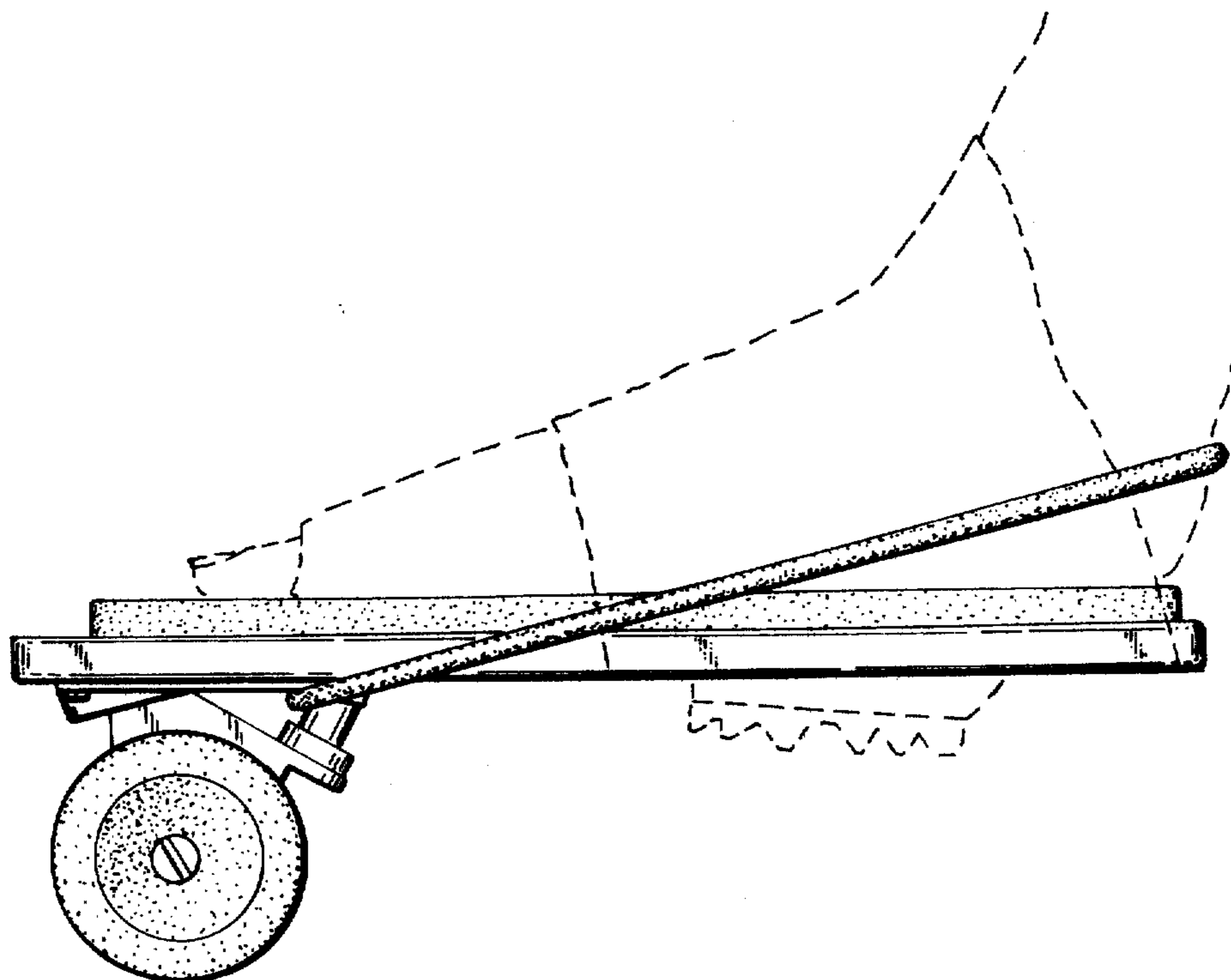
FIG. 3 is a front elevational view thereof;

FIG. 4 is a right side elevational view thereof, the broken line showing being environmental and forming no part of the claimed design;

FIG. 5 is a bottom plan view thereof;

FIG. 6 is a rear elevational view thereof;

FIG. 7 is a bottom and right front perspective view of another embodiment of my new design of FIGS. 1-6.



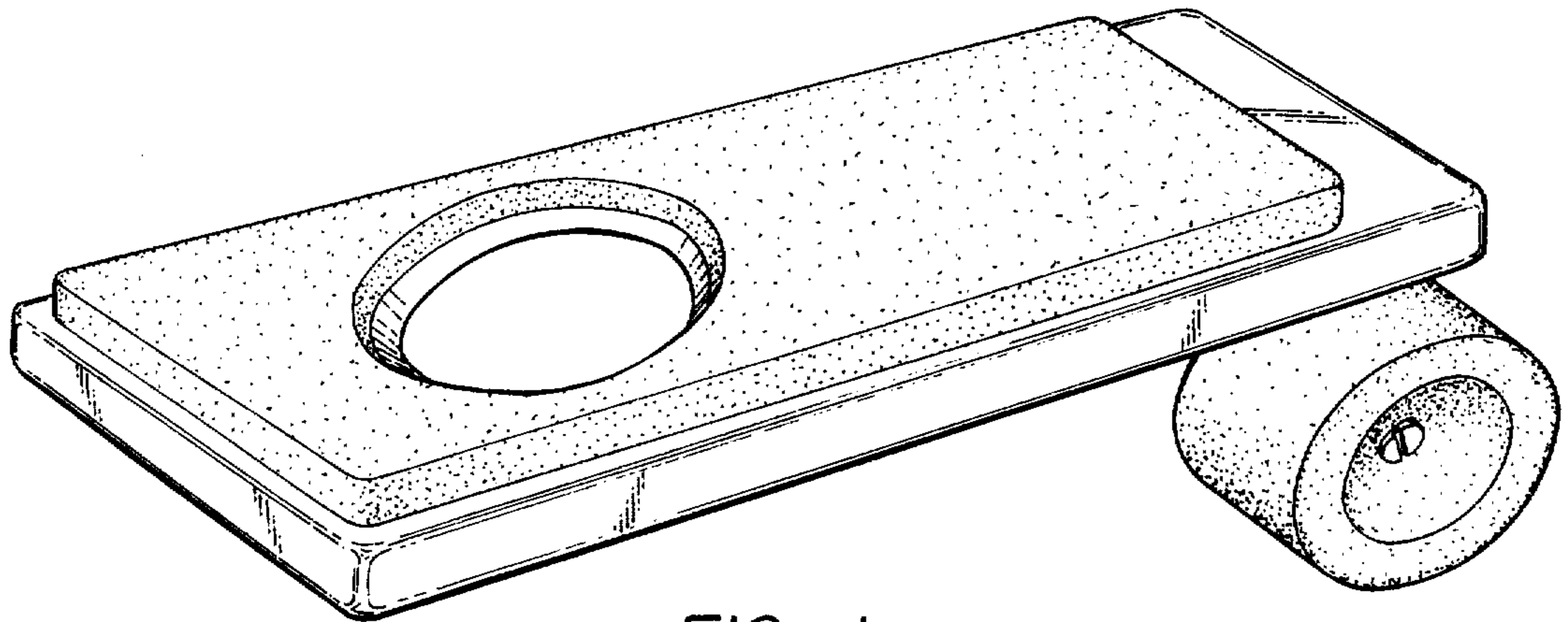


FIG. 1.

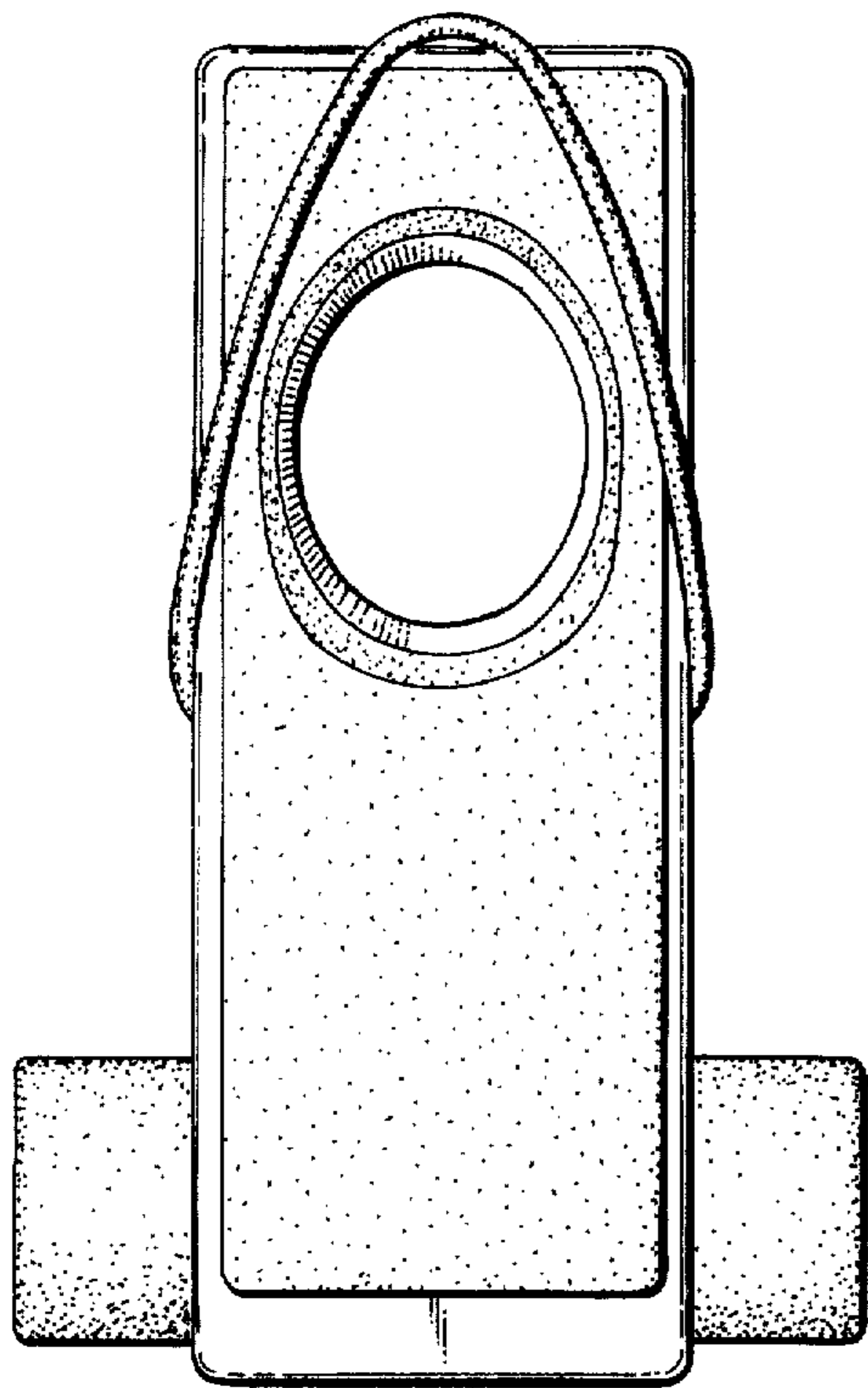


FIG. 2.

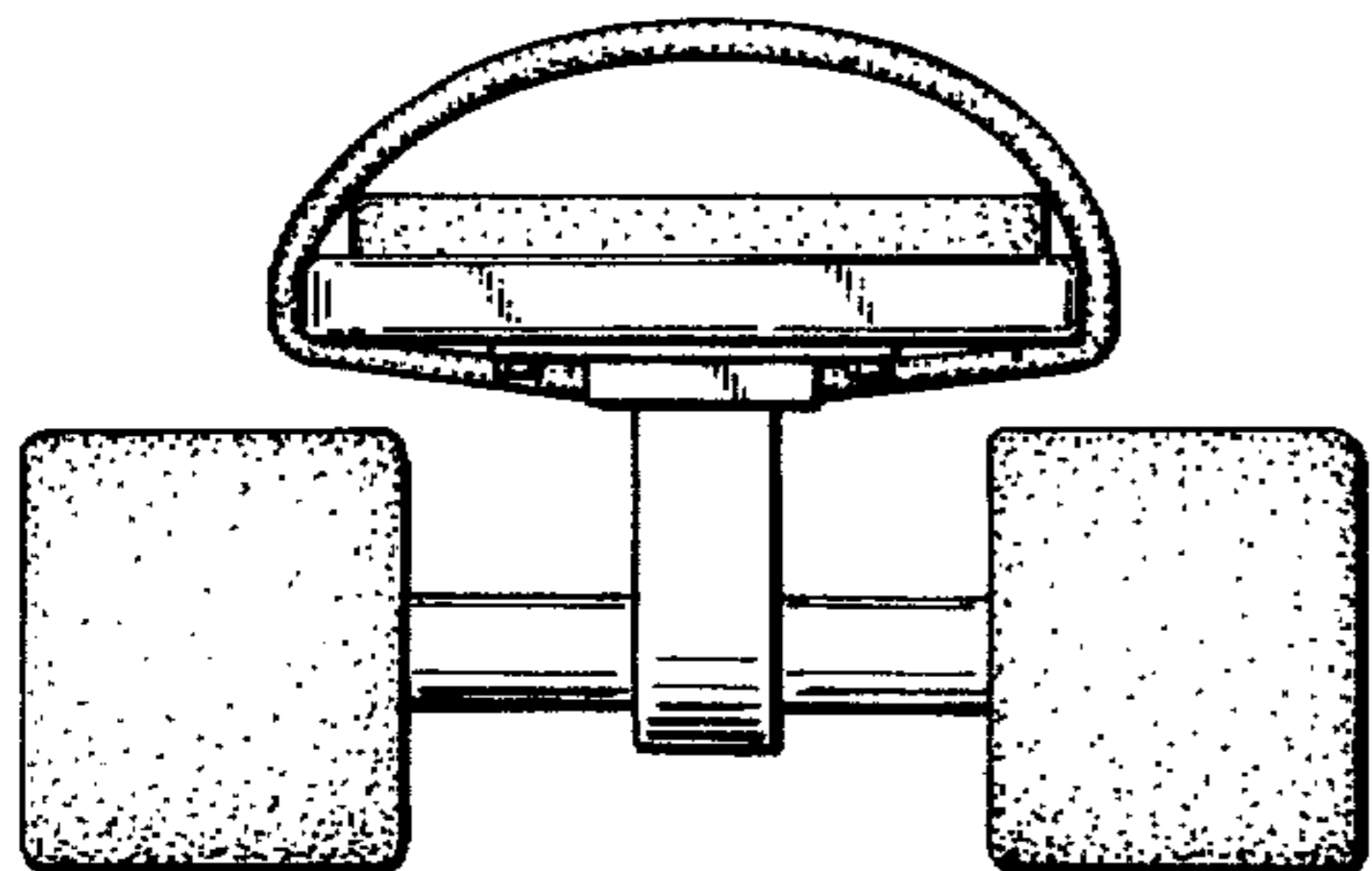


FIG. 3.

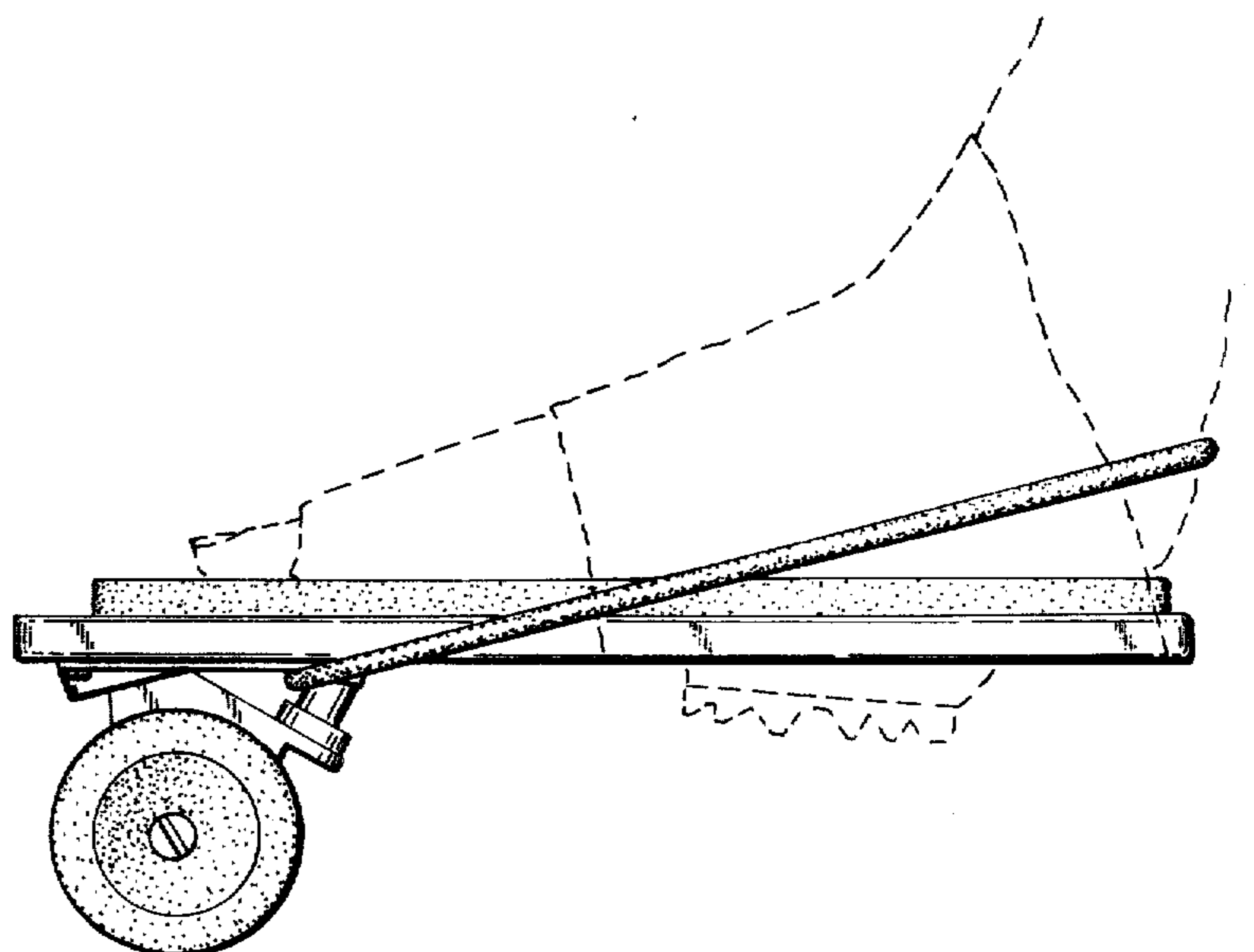


FIG. 4.

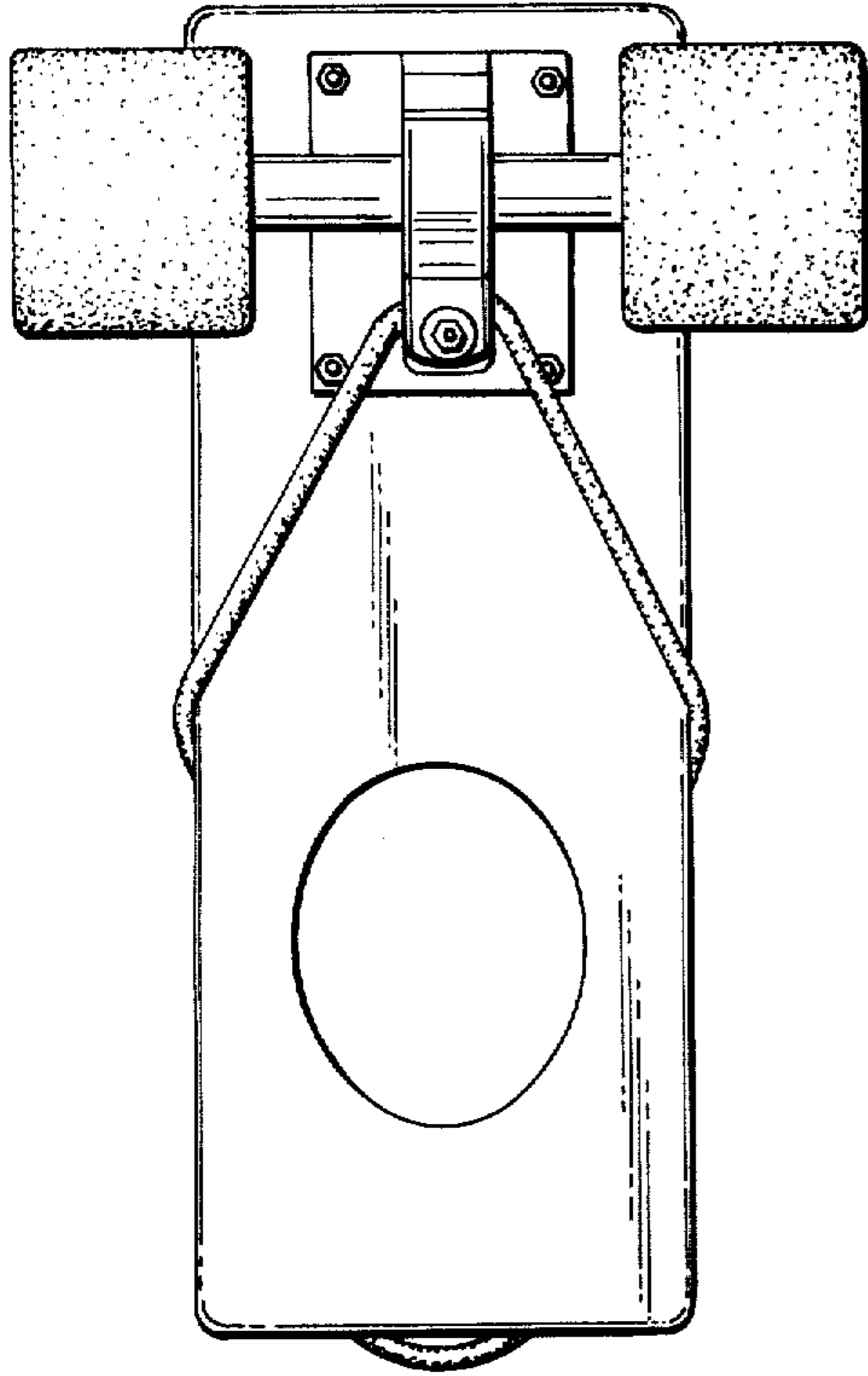


FIG. 5.

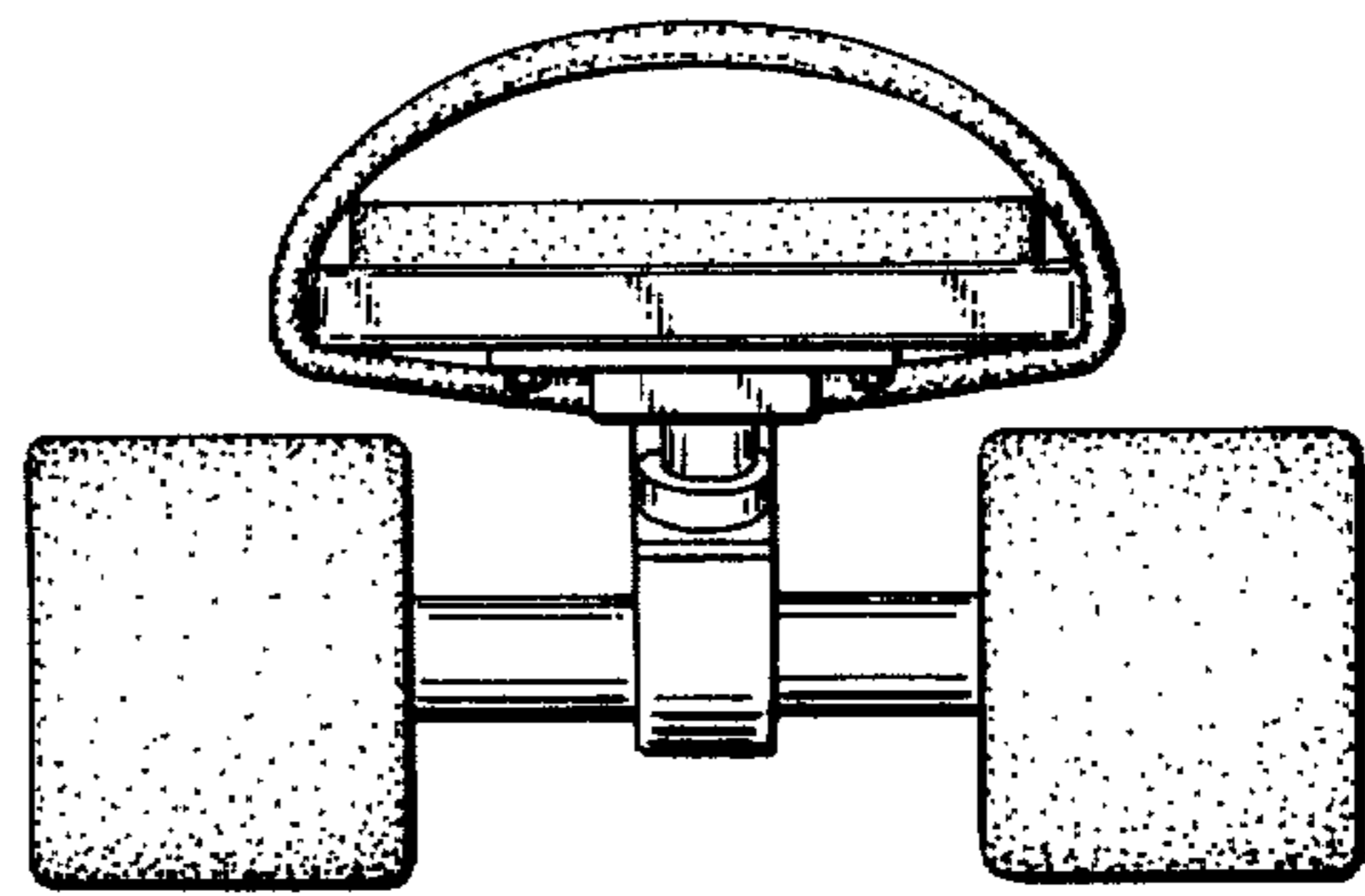


FIG. 6.

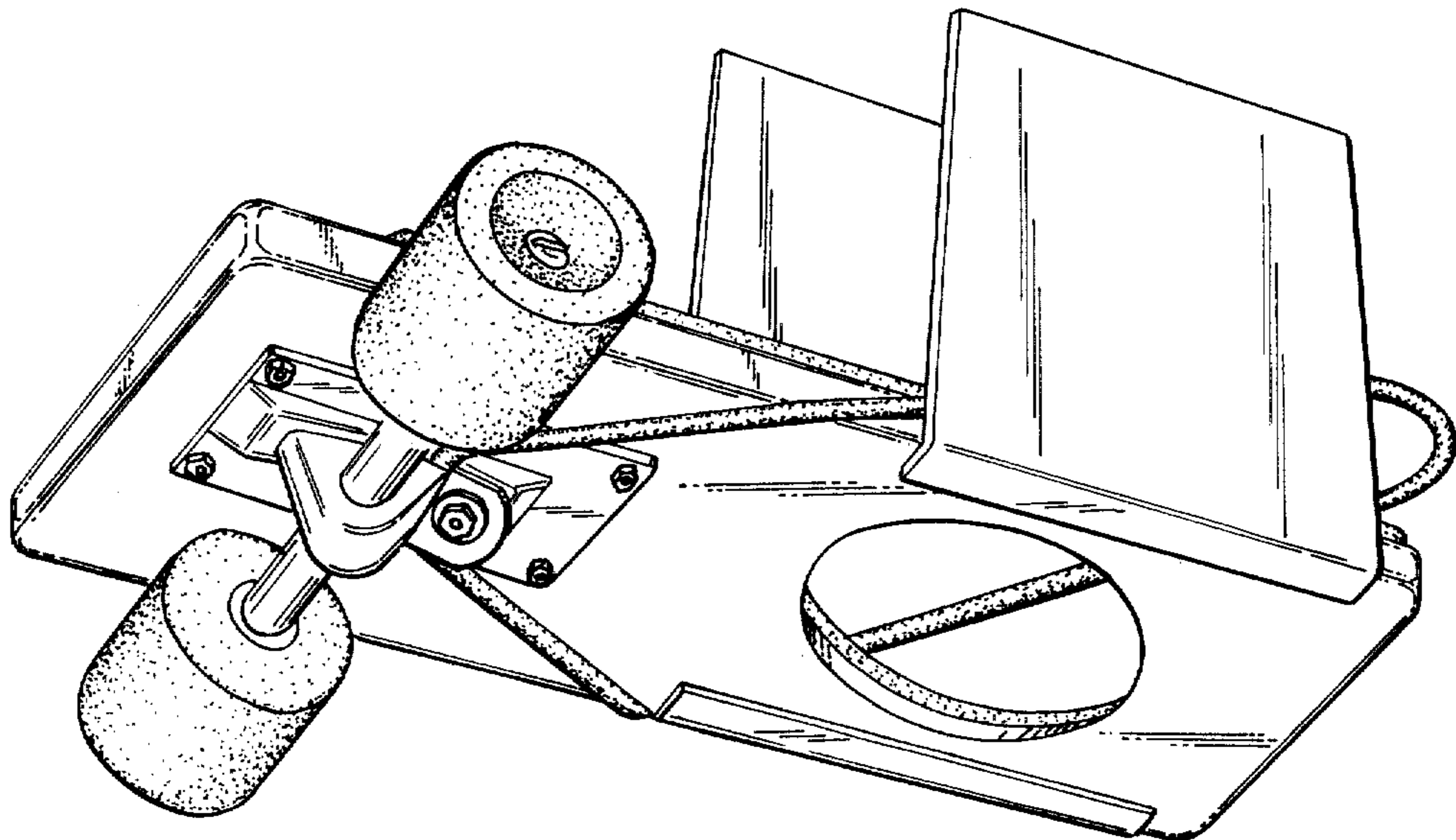


FIG. 7.