

[54] SKI BOOT WALKING ACCESSORY

[75] Inventor: Donald J. Booty, Frankfort, Ill.

[73] Assignee: Snow Biz, Inc., Chicago, Ill.

[**] Term: 14 Years

[21] Appl. No.: 113,081

[22] Filed: Jan. 17, 1980

[51] Int. Cl. D2-04

[52] U.S. Cl. D2/314; D2/264; D2/317

[58] Field of Search D2/314, 317, 264, 319, D2/320, 271, 277; 36/110, 113-114, 115, 132, 136, 11.5, 7.6, 32 R

[56] References Cited

U.S. PATENT DOCUMENTS

- D. 250,996 1/1979 DeFever D2/314
- 3,812,603 5/1974 Goodman D2/271 X
- 4,228,602 10/1980 Groves 36/132

FOREIGN PATENT DOCUMENTS

- 2617257 1/1977 Fed. Rep. of Germany 36/132
- 588832 6/1977 Switzerland 36/132
- 595791 2/1978 Switzerland 36/132

Primary Examiner—Nelson C. Holtje
Attorney, Agent, or Firm—Trexler, Bushnell & Wolters, Ltd.

[57] CLAIM

The ornamental design for a ski boot walking accessory, substantially as shown and described.

DESCRIPTION

FIG. 1 is a top and right front perspective view of a ski boot walking accessory showing my new design;
 FIG. 2 is a top plan view thereof;
 FIG. 3 is a right side elevational view thereof, the left side being a mirror image thereto;
 FIG. 4 is a bottom plan view thereof;
 FIG. 5 is a front elevational view thereof;
 FIG. 6 is a rear elevational view thereof.

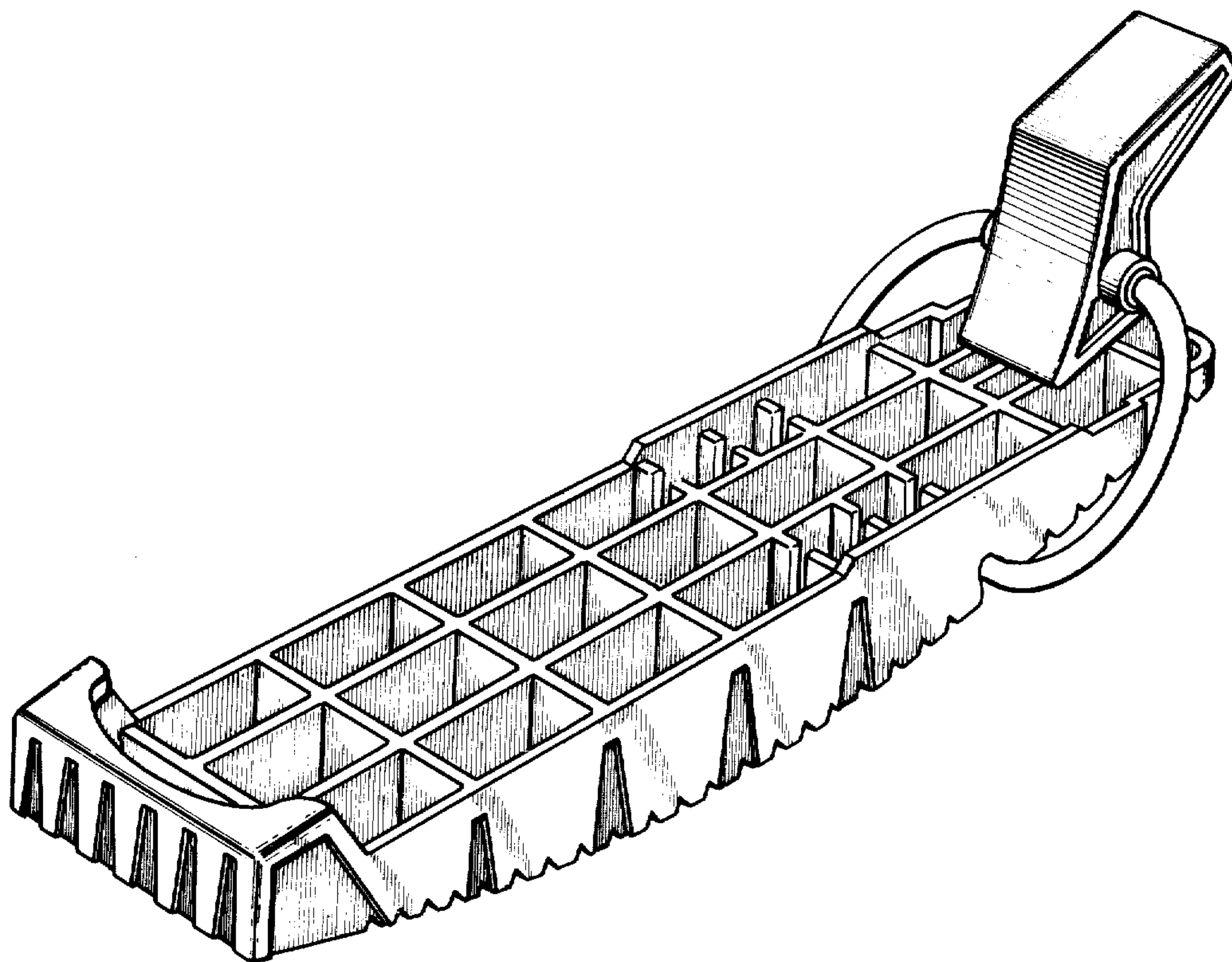


FIG. 1

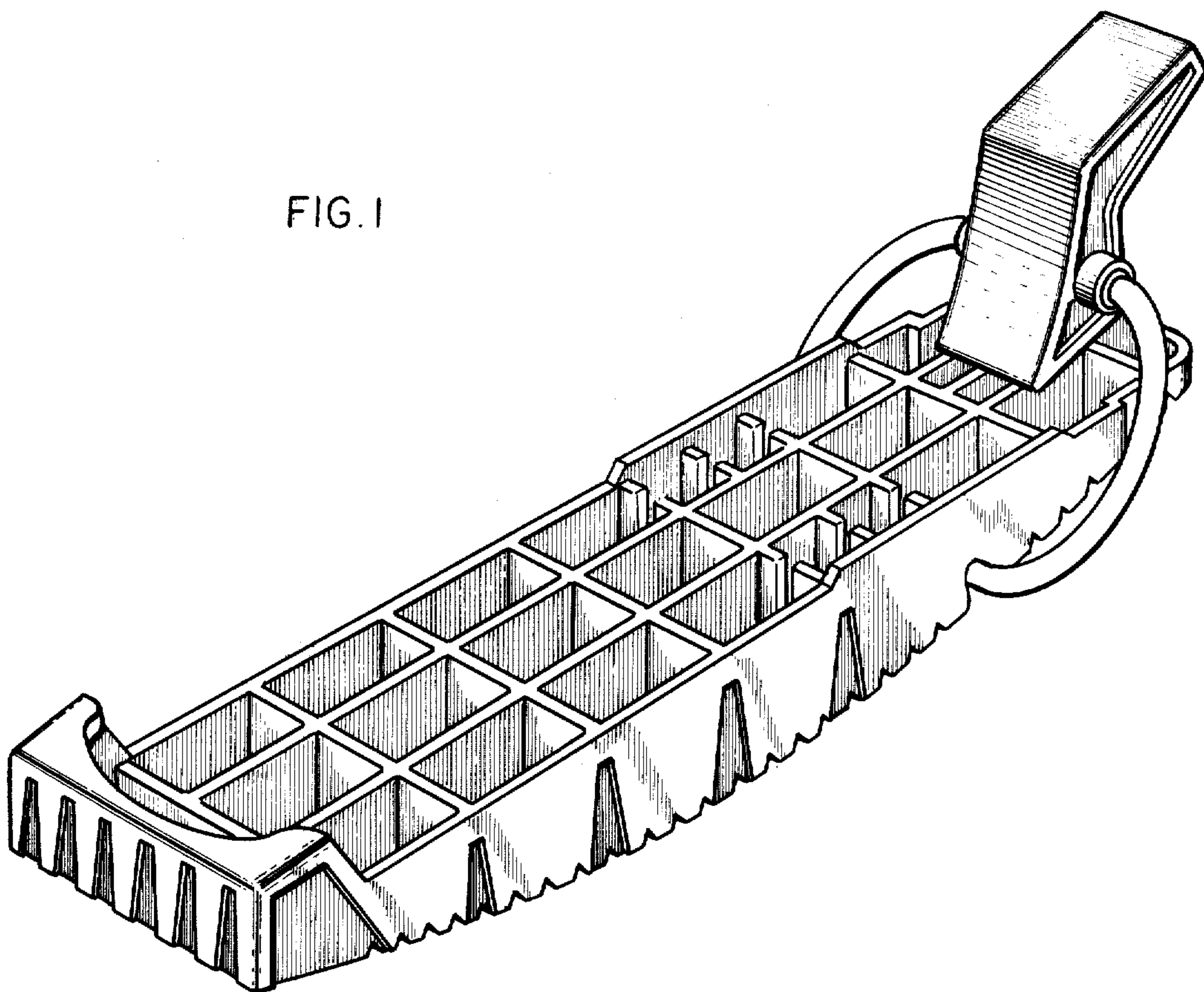


FIG. 2

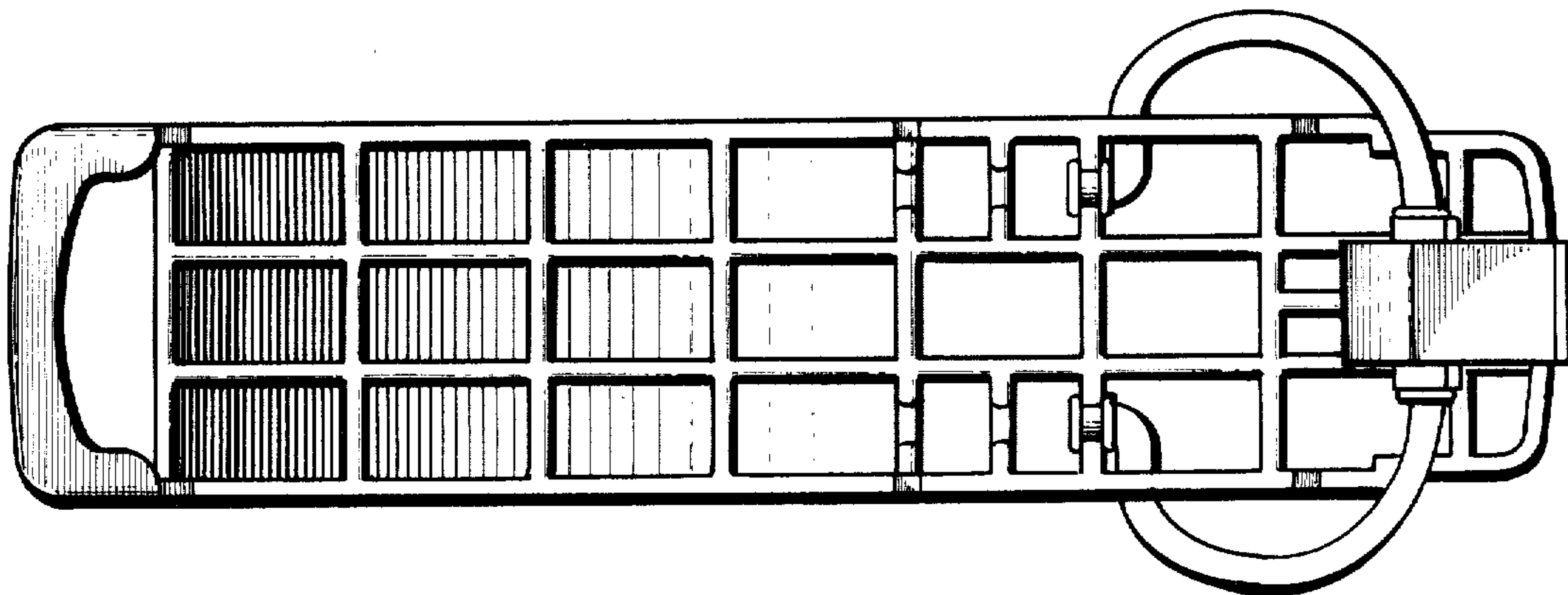


FIG. 3



FIG. 4

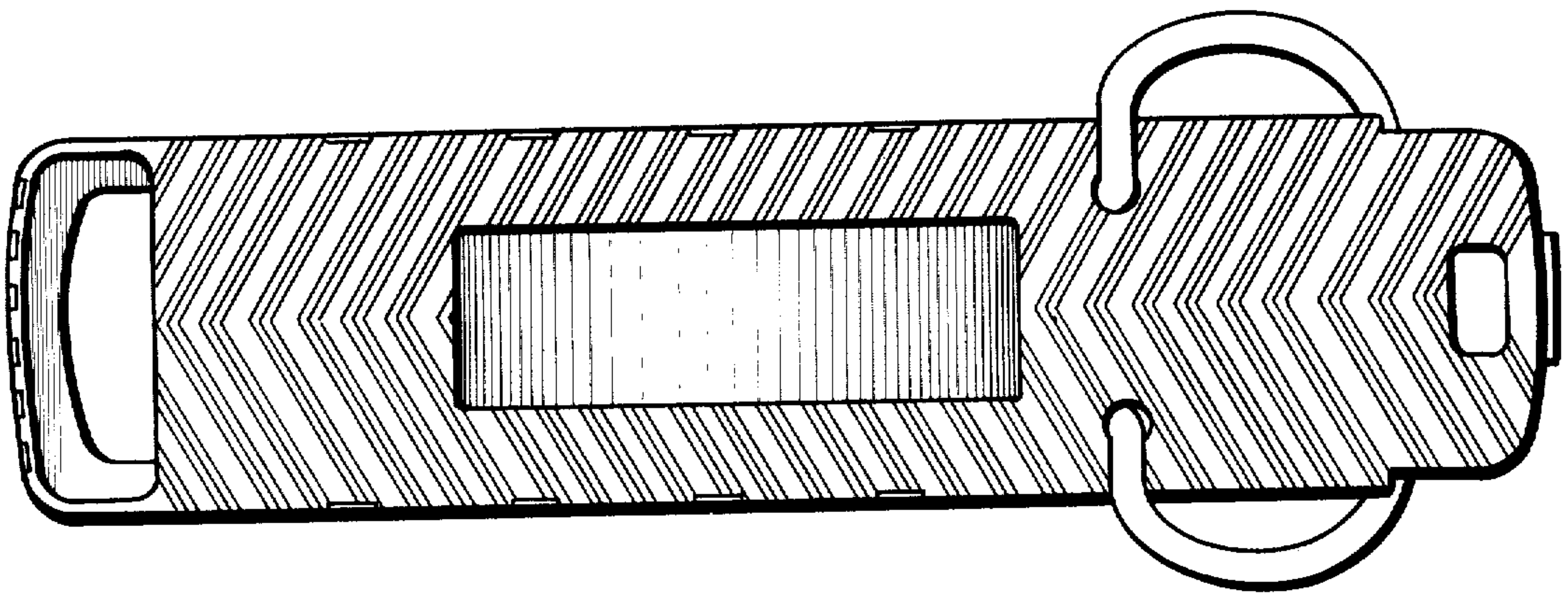


FIG. 5

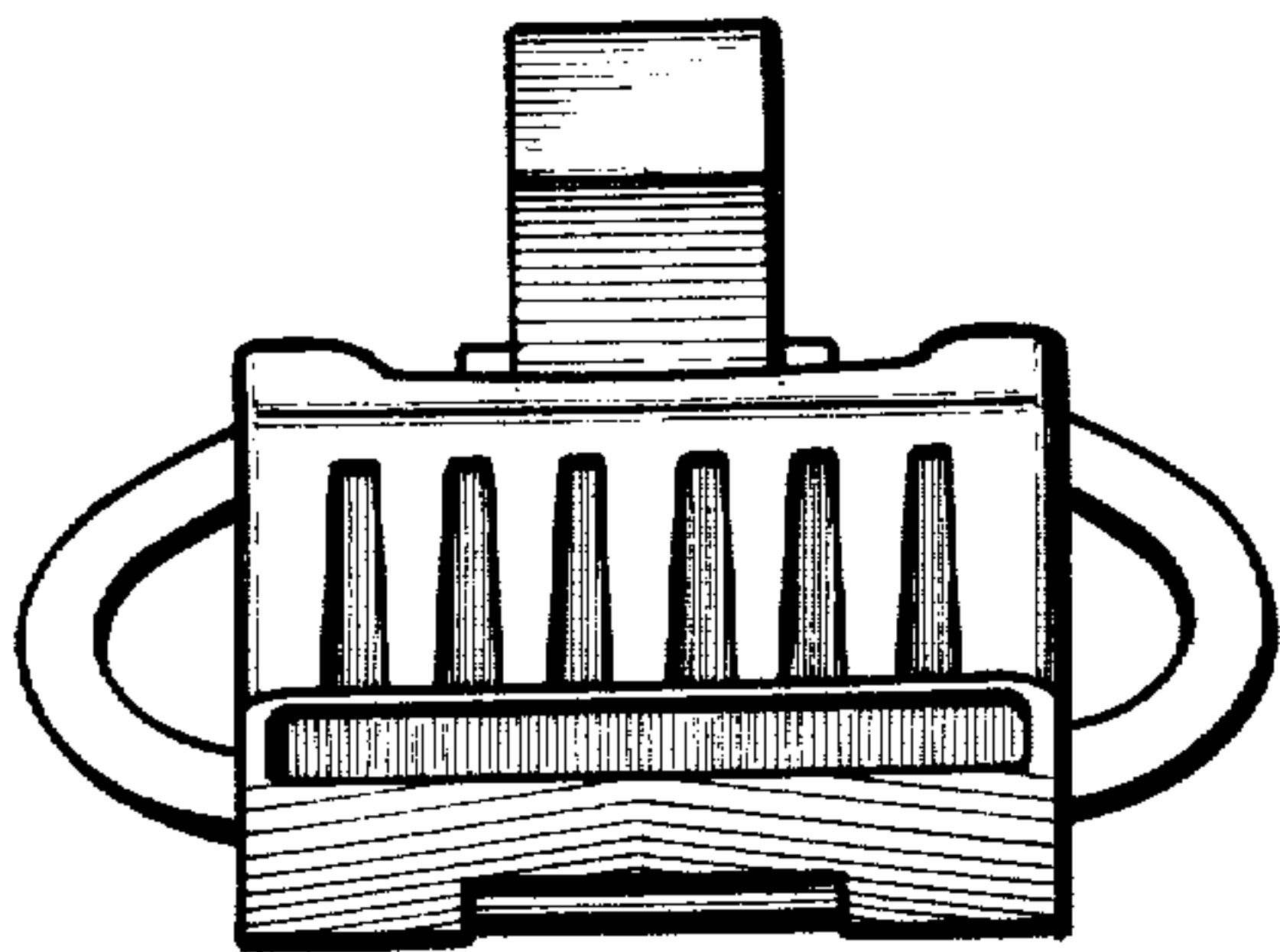


FIG. 6

