

- [54] **FLOOR PANEL FOR A PIG SHED**
- [75] **Inventor:** Franz Bartscher, Geseke, Fed. Rep. of Germany
- [73] **Assignee:** Josef Schonlau Maschinenfabrik-und Eidengiesserei, Fed. Rep. of Germany
- [**] **Term:** 14 Years
- [21] **Appl. No.:** 90,099
- [22] **Filed:** Nov. 1, 1979
- [51] **Int. Cl.** D30—02
- [52] **U.S. Cl.** D30/2; D25/88
- [58] **Field of Search** D30/1, 2, 99; D25/87, D25/88, 89, 90; 119/28

3,633,548	1/1972	Kepple	119/28
3,921,356	11/1975	Van Schoyck	119/28
4,176,622	12/1979	Wolf	119/28
4,182,271	1/1980	Dodge et al.	119/28

FOREIGN PATENT DOCUMENTS

17929	10/1980	European Pat. Off.	119/28
2806341	9/1979	Fed. Rep. of Germany	119/28

Primary Examiner—James R. Largen
Attorney, Agent, or Firm—McGlew and Tuttle

[57] **CLAIM**

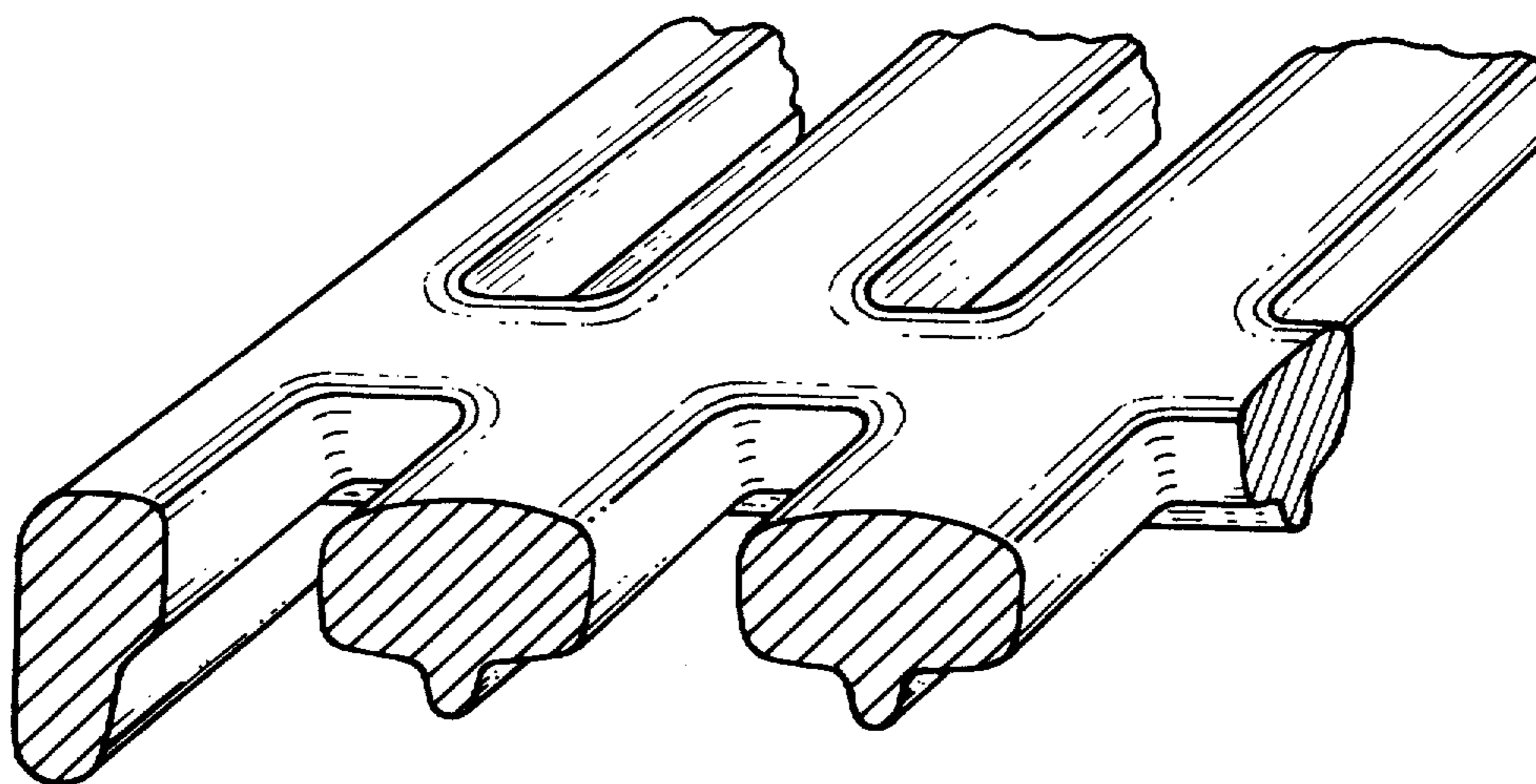
The ornamental design for a floor panel for a pig shed, as shown and described.

DESCRIPTION

FIG. 1 is a top plan view of a floor panel for a pig shed showing my new design;
 FIG. 2 is an elevational view taken from one side thereof, the opposite side being the same as the side shown;
 FIG. 3 is an elevational view taken from one end thereof, the opposite end being the same as the end shown;
 FIG. 4 is a bottom plan view thereof; and
 FIG. 5 is an enlarged fragmentary perspective view thereof.

[56] **References Cited**
U.S. PATENT DOCUMENTS

D. 183,574	9/1958	Liskey, Jr.	D25/90
D. 207,993	6/1967	Bogan, Jr.	D25/90
D. 241,297	9/1976	Maslow	D25/90
D. 246,388	11/1977	Shivvers	D25/80
D. 253,968	1/1980	Bogan, Jr.	D25/90
625,869	5/1899	Buckley	D25/90 X
3,039,575	6/1962	Graham	D25/90 X



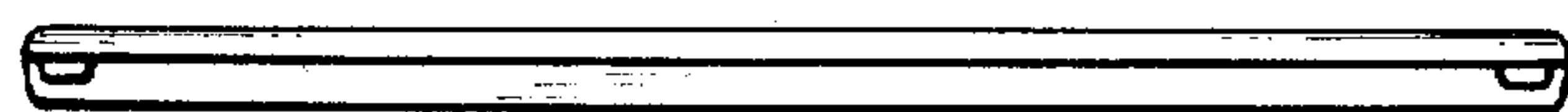


FIG. 3

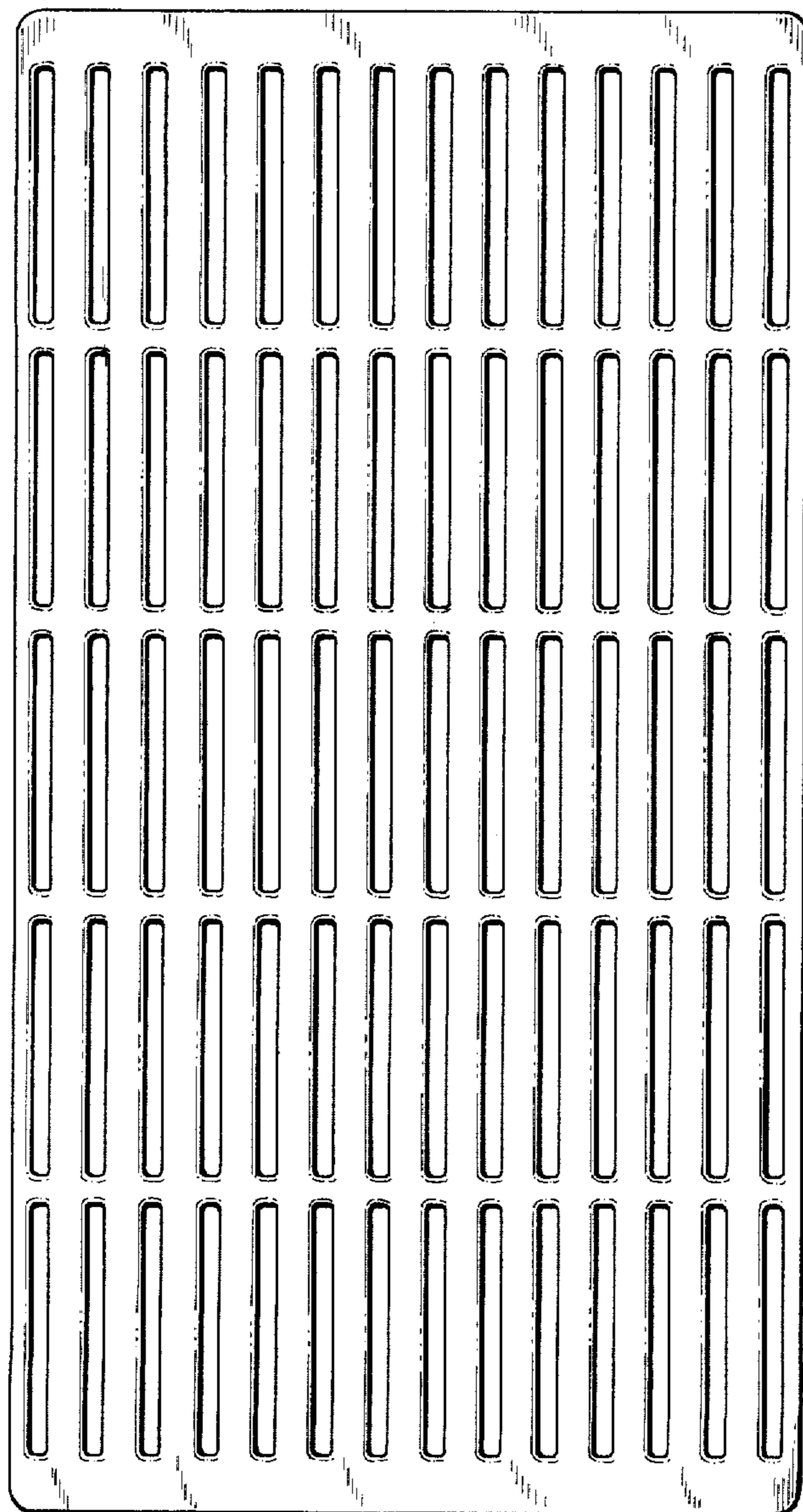


FIG. 1



FIG. 2

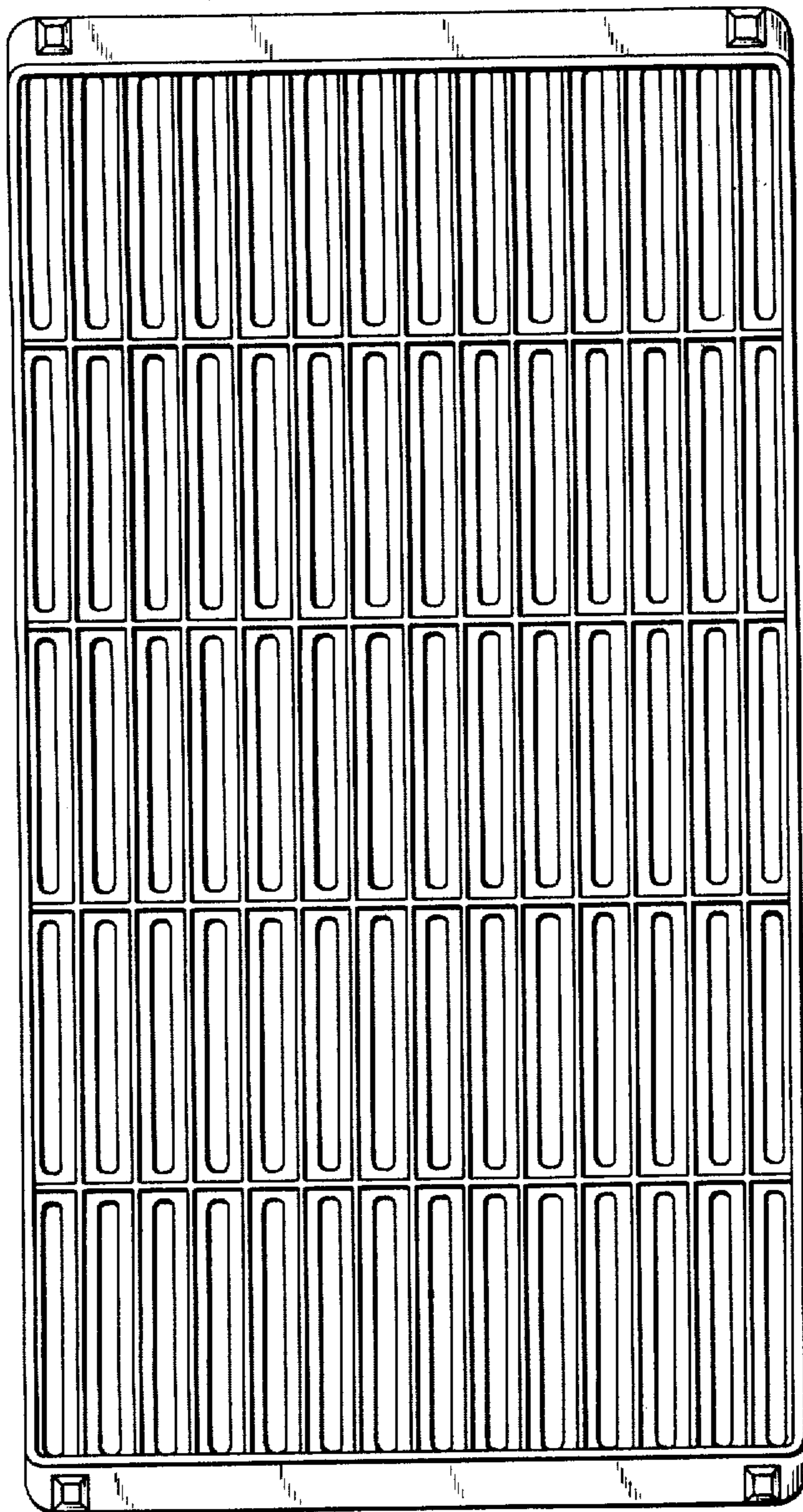


FIG.4

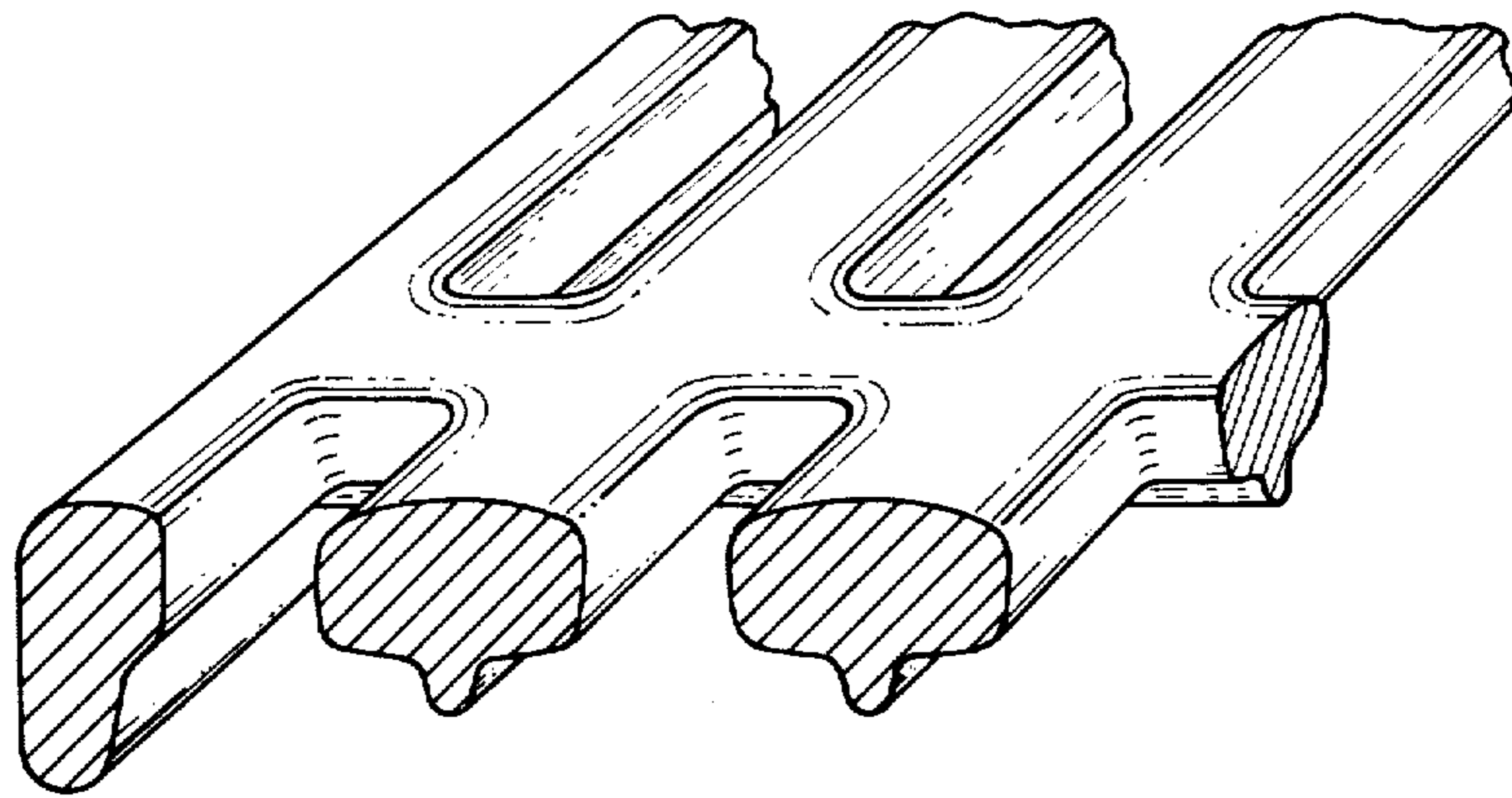


FIG.5