

[54] **SPOTLIGHT FITTING**

[76] **Inventors:** Robert Heritage, 12 Jay Mews, Kensington Gore, London SW7 2EP; Stephen Hall, 30 Crawford St., London W.1, both of England

[**] **Term:** 14 Years

[21] **Appl. No.:** 48,675

[22] **Filed:** Jun. 14, 1979

[30] **Foreign Application Priority Data**
Jan. 25, 1979 [GB] United Kingdom 988,249/79

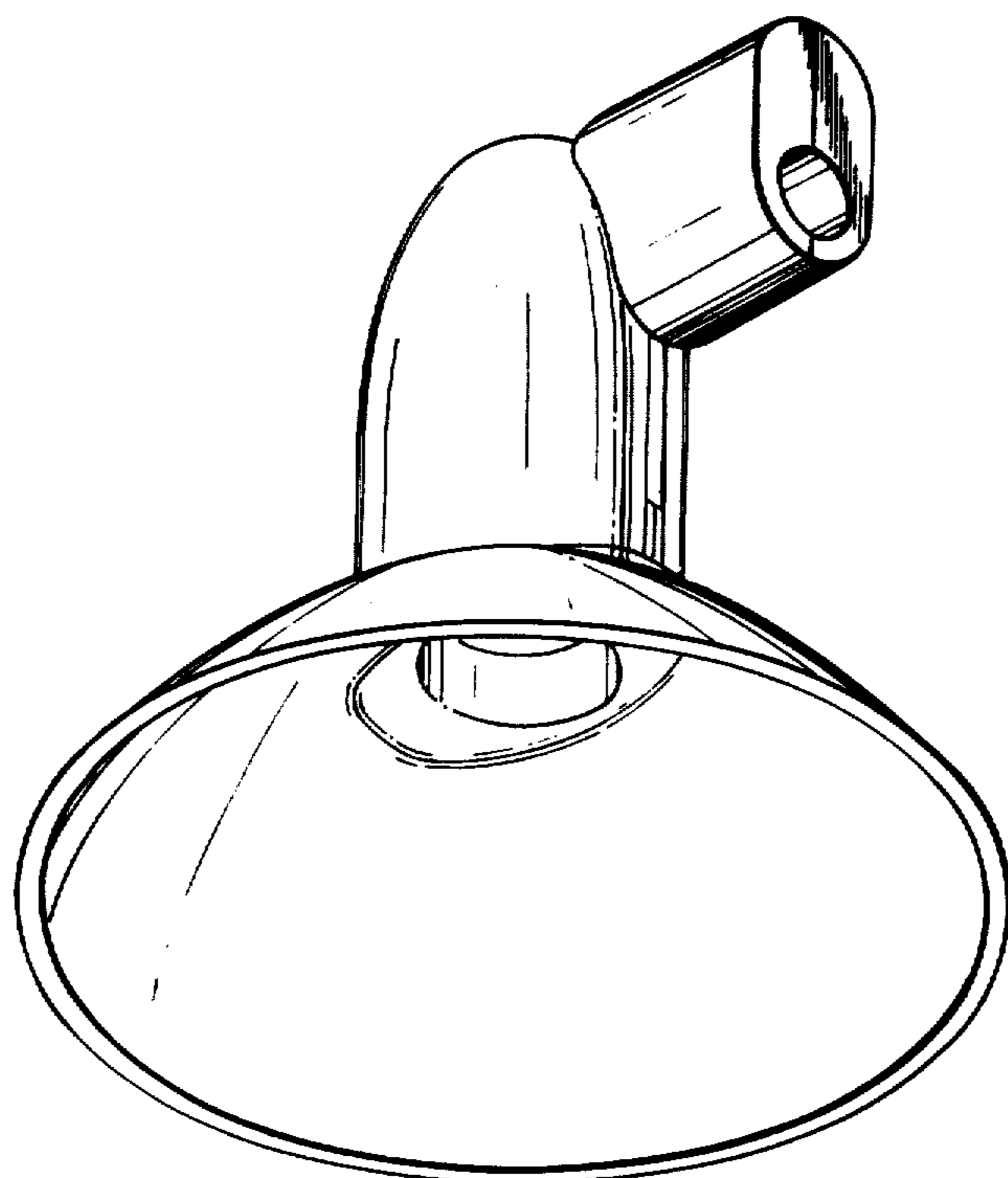
[51] **Int. Cl.** D26—05
[52] **U.S. Cl.** D26/63; D26/131
[58] **Field of Search** D26/24, 60, 61, 63, D26/64, 65, 66, 72, 74, 80, 118, 120, 122, 128, 130, 135, 137, 67, 131; 362/269, 270, 277, 278, 282, 287, 296, 297, 311, 329, 330, 331, 332, 339, 341, 342, 347, 350, 418, 427, 420

[56] **References Cited**
U.S. PATENT DOCUMENTS
D. 231,559 4/1974 Darling et al. D26/63
FOREIGN PATENT DOCUMENTS
726012 2/1932 France 362/269

OTHER PUBLICATIONS
Lighting, 6-1956, p. 43, Mercury Lamp Reflector. Standby Systems Inc., Short Form Catalog, 1975, p. 4, Model RVT Vapor-Proof Remote Lighting Fixture.
Primary Examiner—Susan J. Lucas
Attorney, Agent, or Firm—Arthur B. Colvin

[57] **CLAIM**
The ornamental design for a spotlight fitting, as shown.

DESCRIPTION
FIG. 1 is a perspective view of a spotlight fitting showing our new design:
FIG. 2 is an end elevational view thereof:
FIG. 3 is a side elevational view thereof:
FIG. 4 is a top plan view thereof: and
FIG. 5 is an elevational view of the end opposite that shown in FIG. 2.



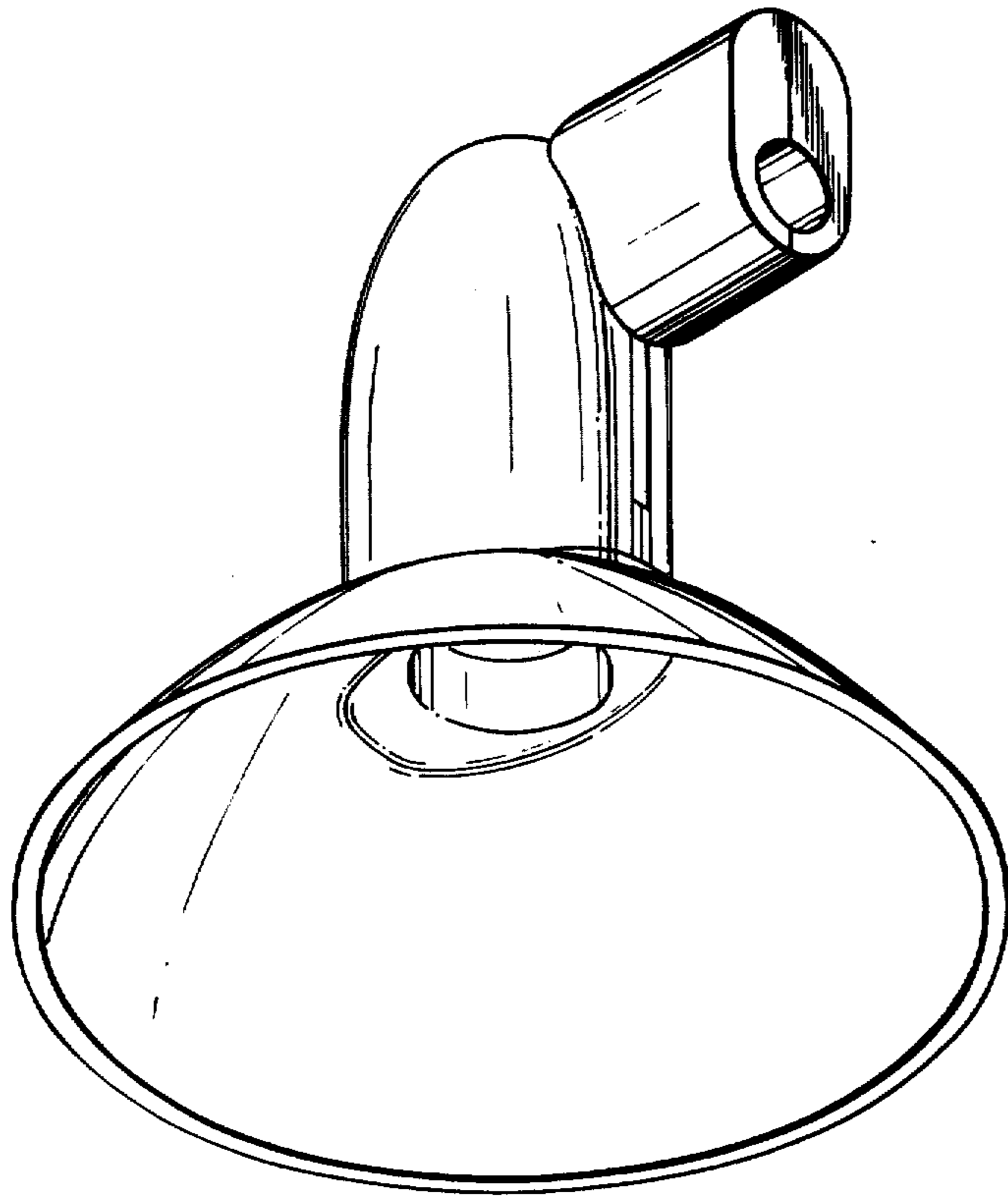


FIG. 1.

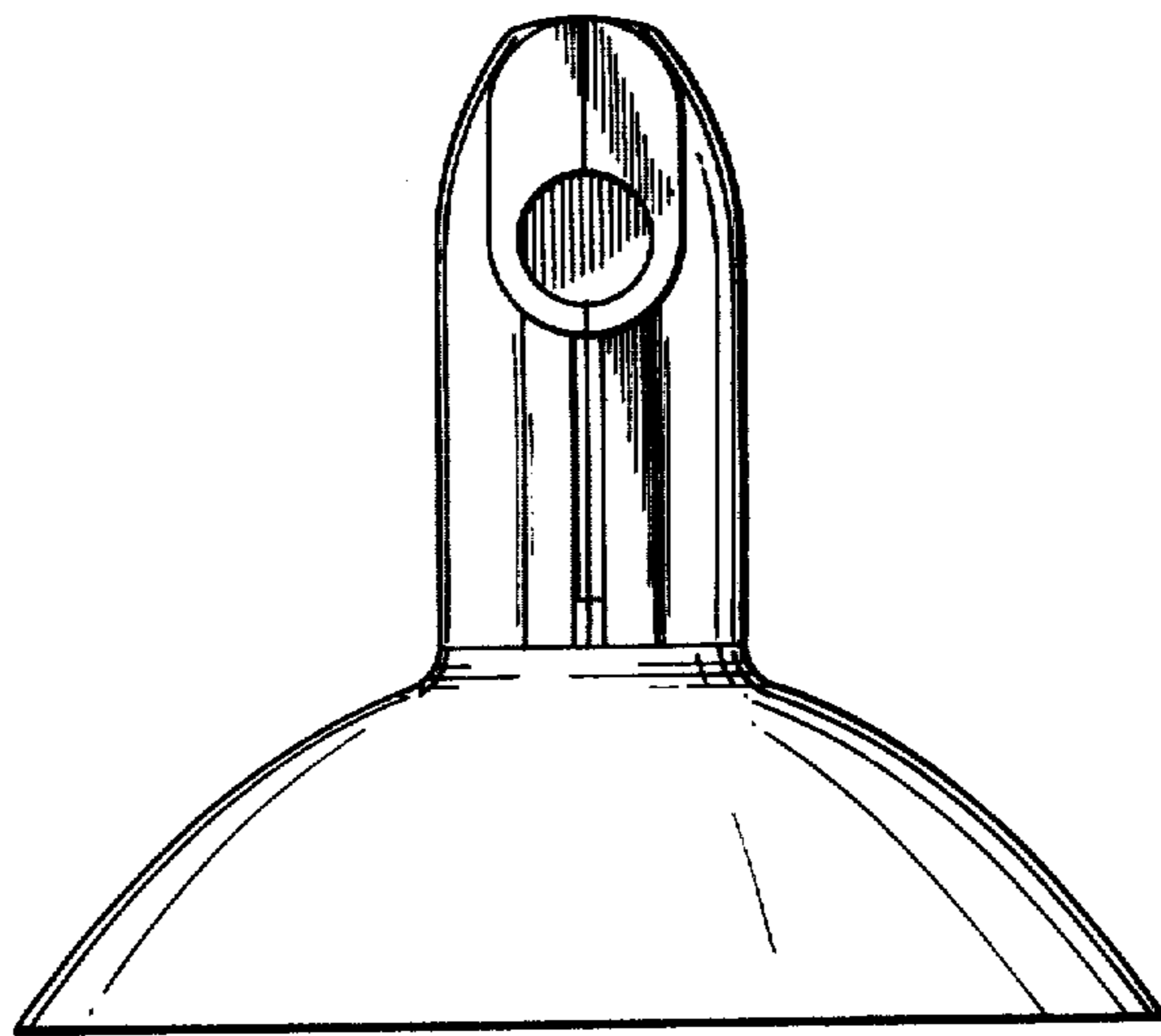


FIG. 2.

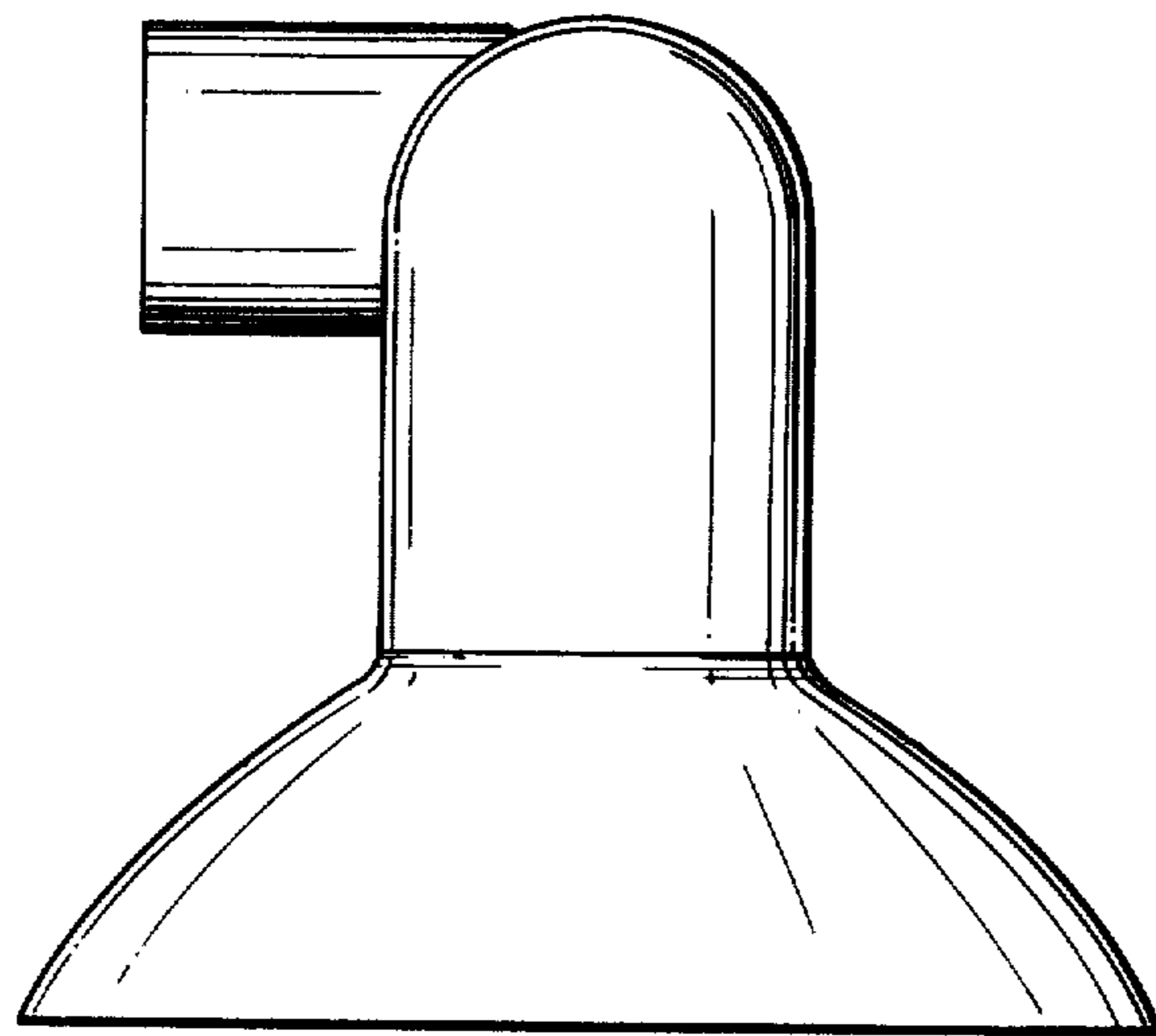


FIG. 3.

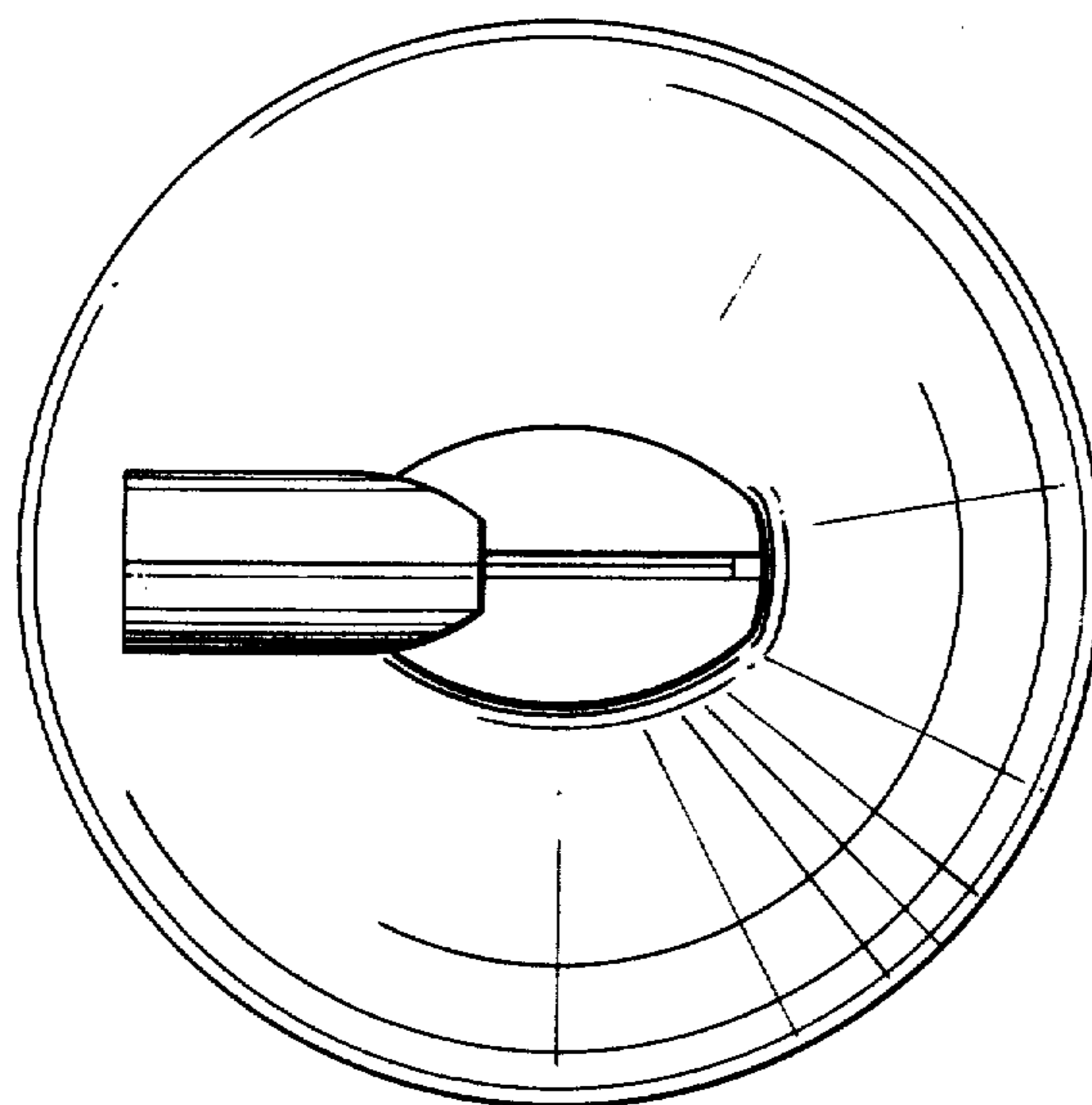


FIG. 4.

FIG. 5

