

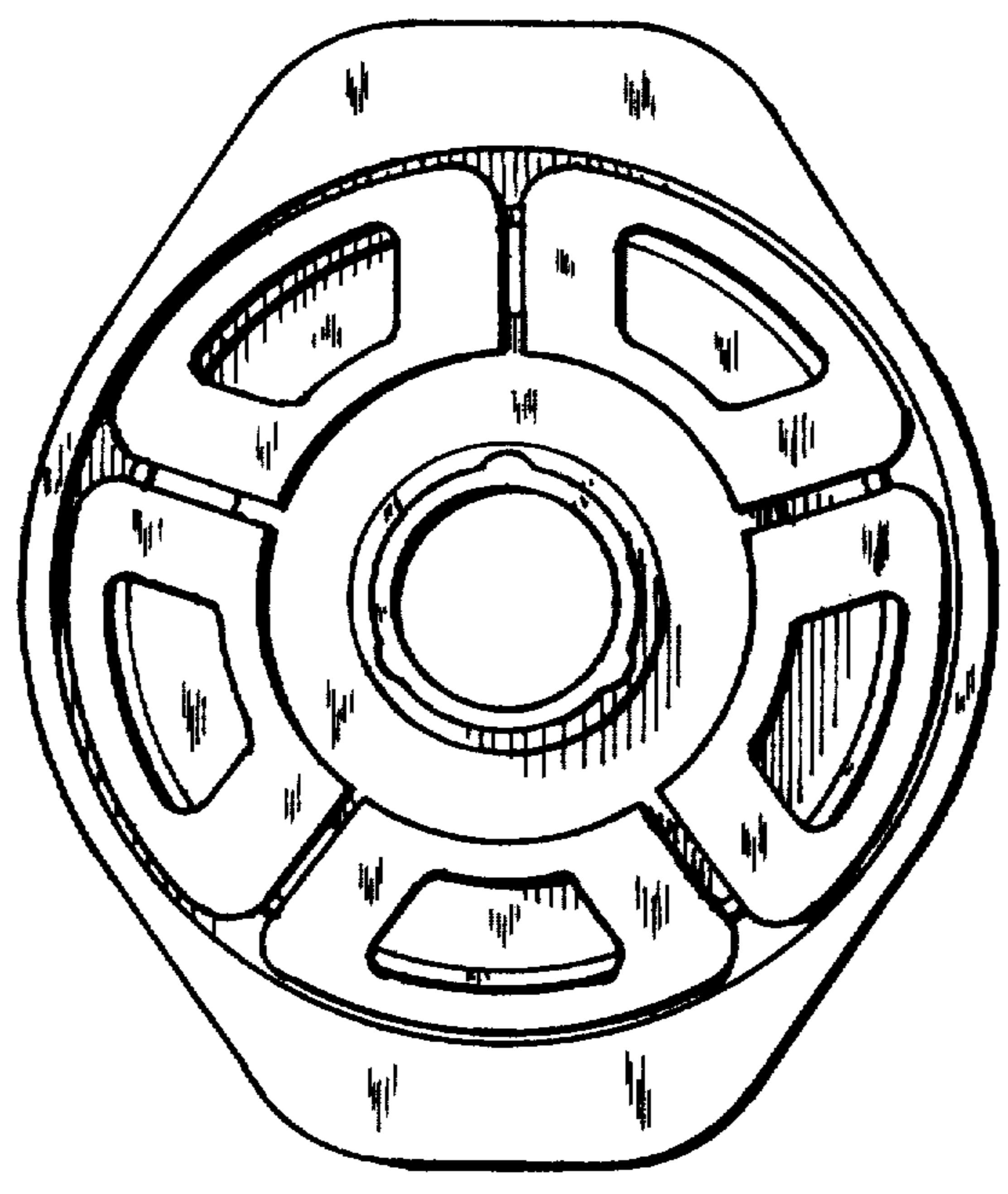
[54] **DISPENSER FOR SURGICAL SUTURES**
[75] Inventor: **Seymour Black**, West Hartford, Conn.
[73] Assignee: **American Cyanamid Company**, Stamford, Conn.
[**] Term: **14 Years**
[21] Appl. No.: **80,835**
[22] Filed: **Oct. 1, 1979**
[51] Int. Cl. **D24-99**
[52] U.S. Cl. **D24/99; 242/96; 206/63.3**
[58] Field of Search **D24/99; 206/63.3; 242/96**

[56] **References Cited**
U.S. PATENT DOCUMENTS
3,095,159 6/1963 Stacy et al. 242/96
3,185,299 5/1965 Trainer 206/63.3

3,376,973 4/1968 Granowitz et al. 206/63.3
Primary Examiner—Veronica O’Keefe
Attorney, Agent, or Firm—Charles F. Costello, Jr.

[57] **CLAIM**
The ornamental design for a dispenser for surgical sutures, substantially as shown and described.

DESCRIPTION
FIG. 1 is a front view of my design for a dispenser for surgical sutures;
FIG. 2 is a rear view thereof;
FIG. 3 is a top view thereof;
FIG. 4 is a side view thereof;
FIG. 5 is a cross-sectional view of FIG. 4 taken along the vertical center line of FIG. 1;
FIG. 6 is an exploded view of FIGS. 1 to 4 showing the reel and disc portions separately;
FIG. 7 is an alternative opaque reel of the reel shown in FIG. 6.
The lettering in broken lines in FIG. 2 is for illustrative purposes only.



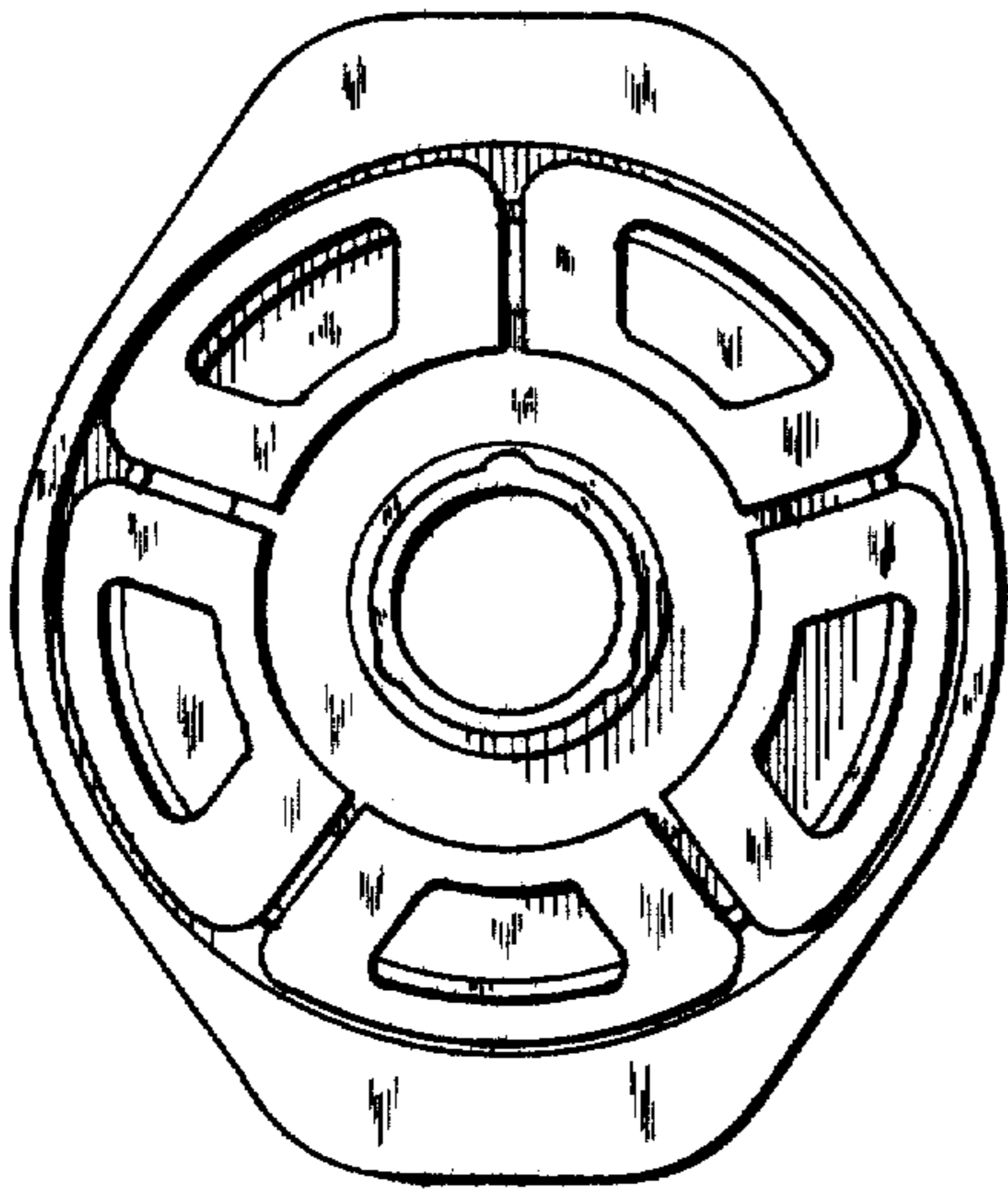


FIG. 1

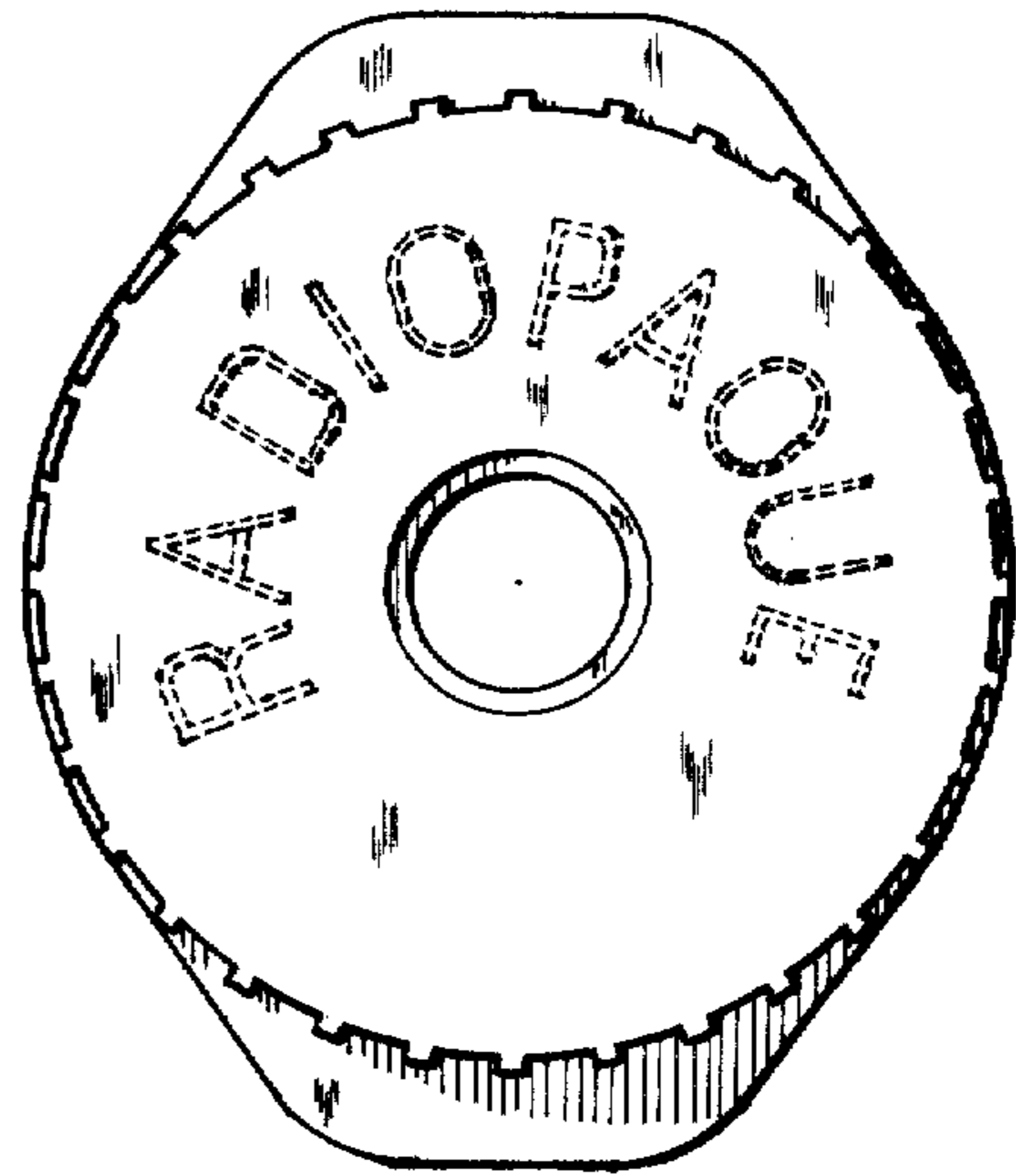


FIG. 2



FIG. 4

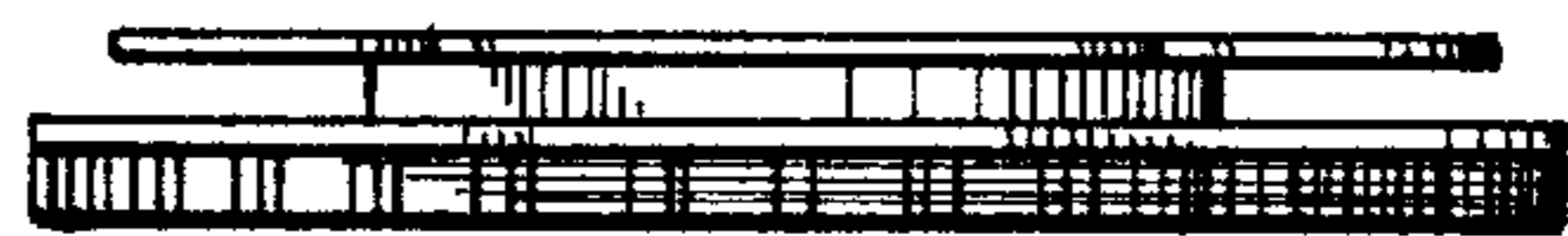


FIG. 3

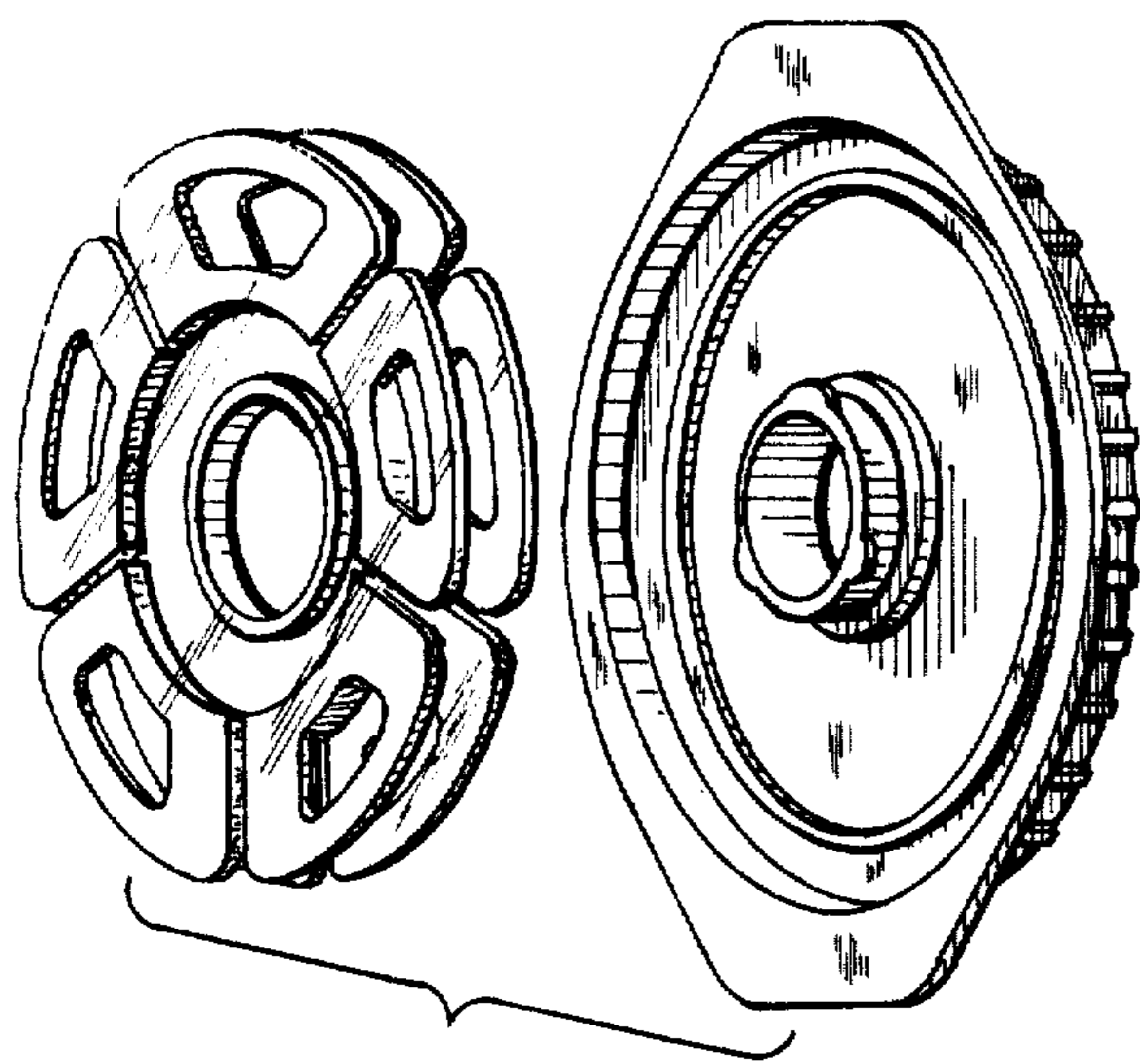


FIG. 6

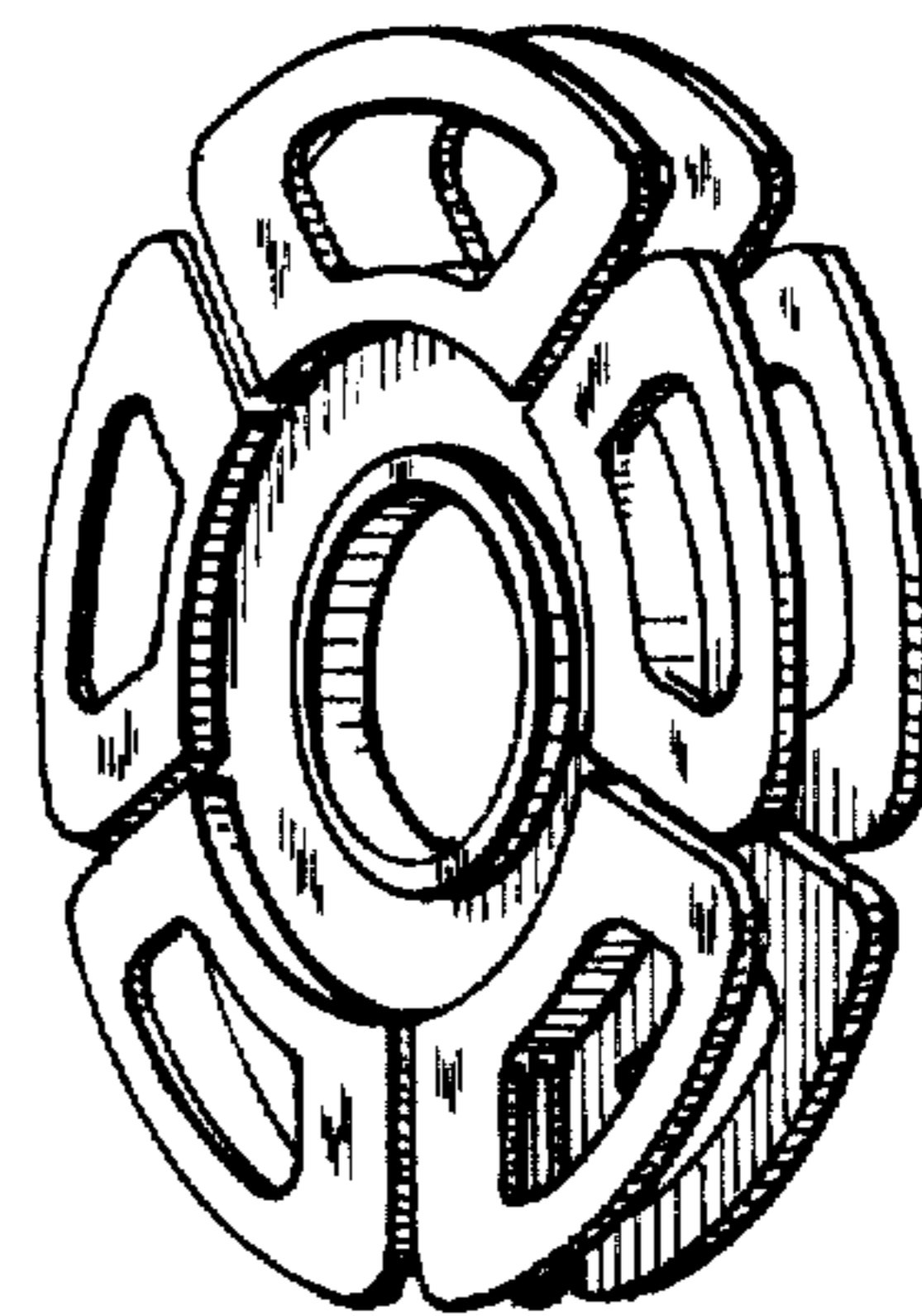


FIG. 7



FIG. 5