

[54] TAMPON APPLICATOR

[75] Inventor: **Ralph I. Williams**, Mendham, N.J.

[73] Assignee: **Ortho Pharmaceutical Corporation**, Raritan, N.J.

[**] Term: **14 Years**

[21] Appl. No.: **39,719**

[22] Filed: **May 17, 1979**

[51] Int. Cl. **D24-99; D28-01**

[52] U.S. Cl. **D24/99**

[58] Field of Search 128/263, 270, 285; D24/99, 59

[56] **References Cited**

U.S. PATENT DOCUMENTS

- D. 200,283 2/1965 Gershen D24/99
- D. 222,013 9/1971 Thomas et al. D24/59 X

- D. 250,049 10/1978 Hite, Jr. D24/99
- D. 250,663 12/1978 Koch et al. D24/99
- 3,830,236 8/1974 Hanke 128/263
- 4,148,317 4/1979 Loyer 128/263

Primary Examiner—Bernard Ansher
Attorney, Agent, or Firm—Benjamin F. Lambert

[57] **CLAIM**

The ornamental design for a tampon applicator, as shown and described.

DESCRIPTION

FIG. 1 is a side elevational view of a tampon applicator, showing my new design;
FIG. 2 is a top plan view thereof;
FIG. 3 is a bottom plan view thereof;
FIG. 4 is an opposite side view thereof;
FIG. 5 is a left end elevational view thereof;
FIG. 6 is a right end elevational view thereof; and
FIG. 7 is a view in perspective thereof.

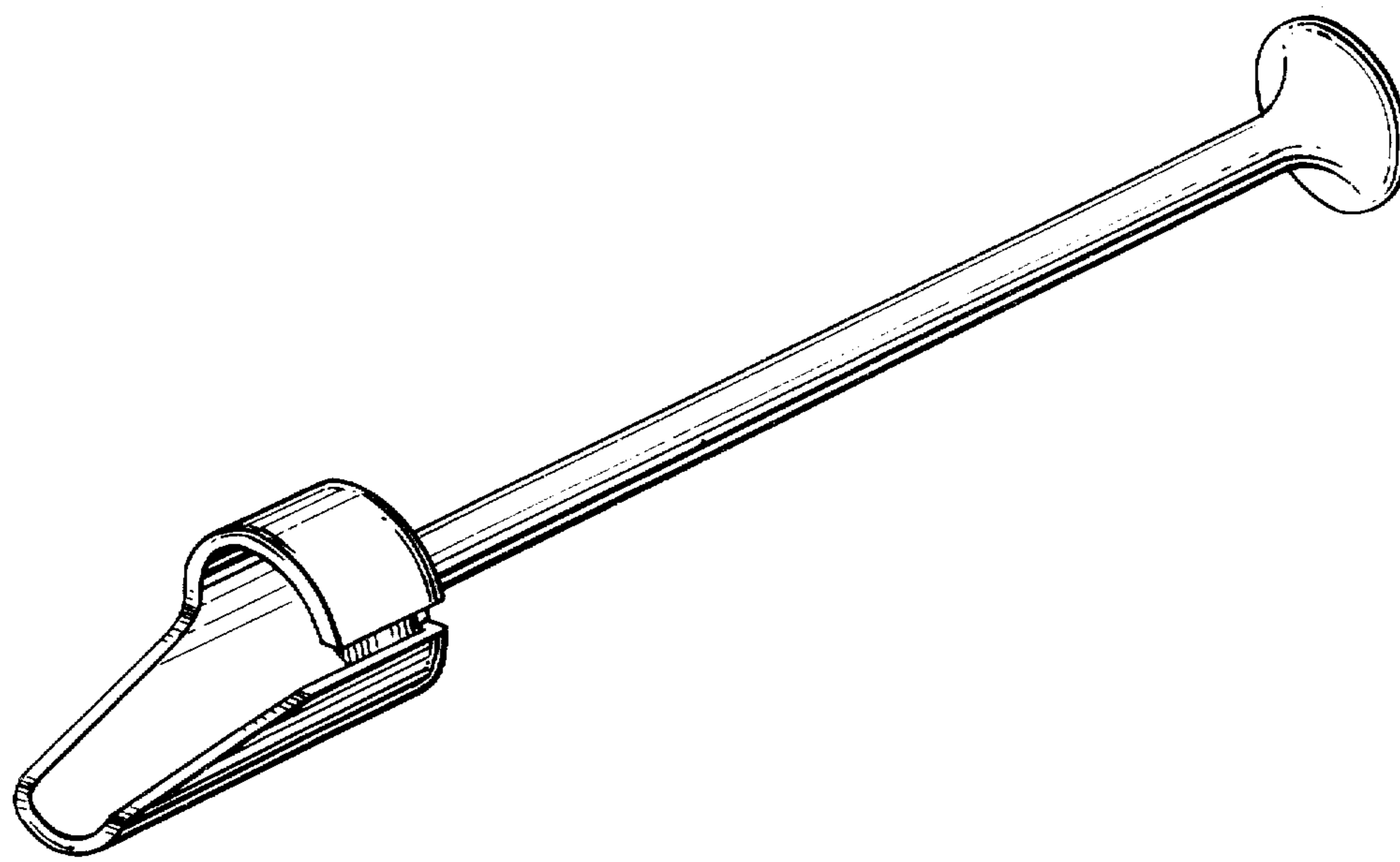


Fig. 1.

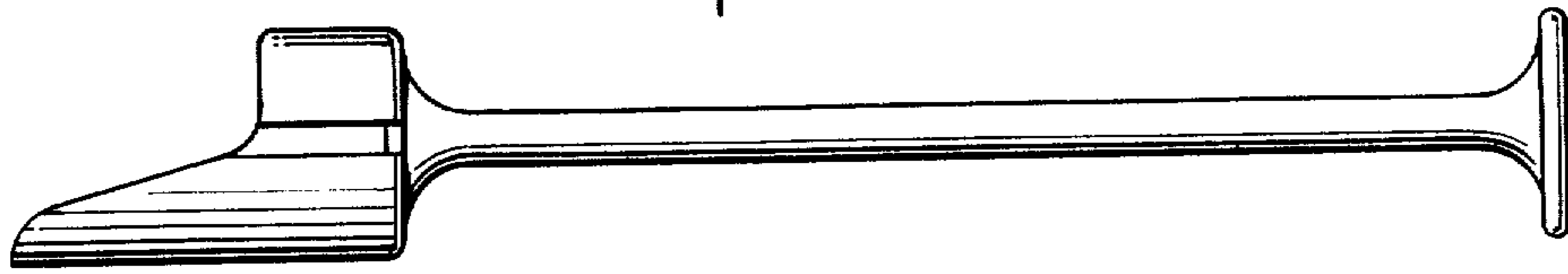


Fig. 2.

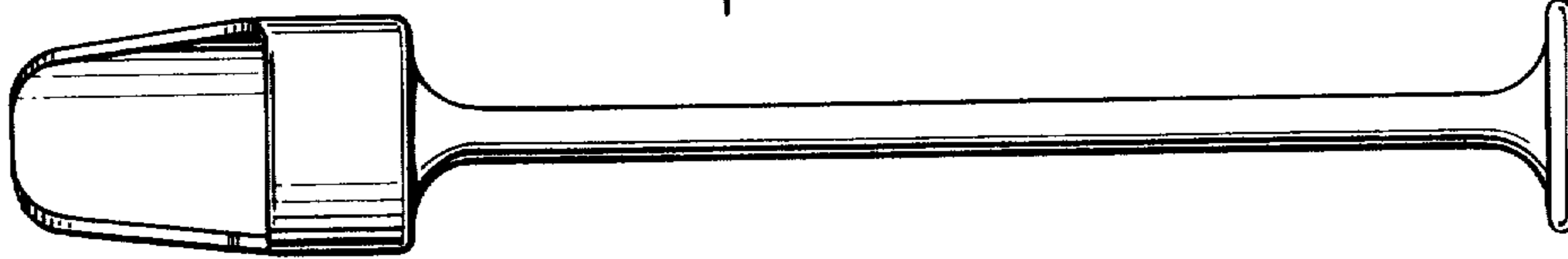


Fig. 3.

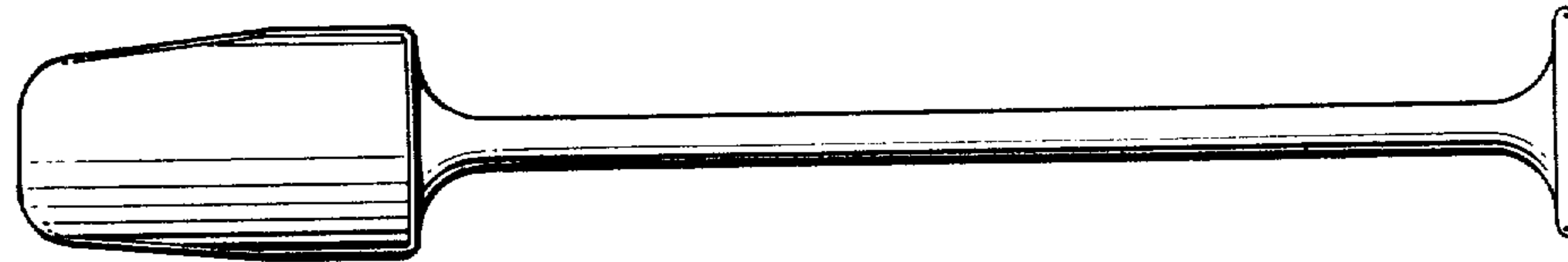


Fig. 4.

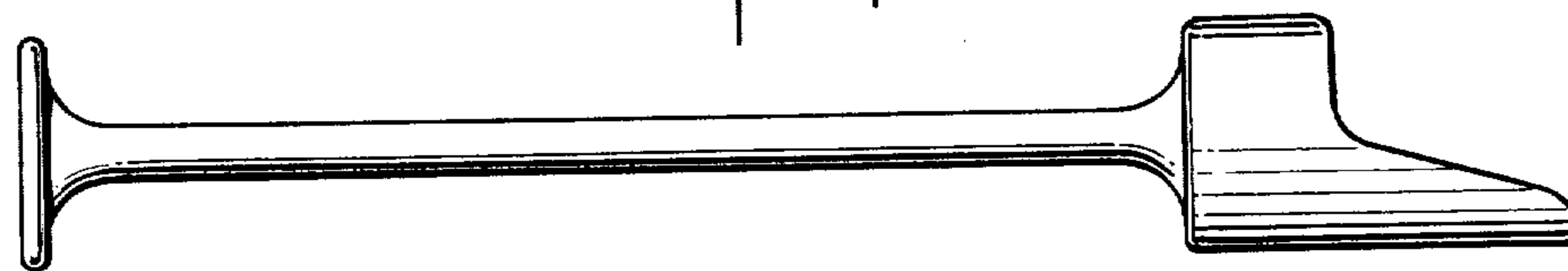


Fig. 7.

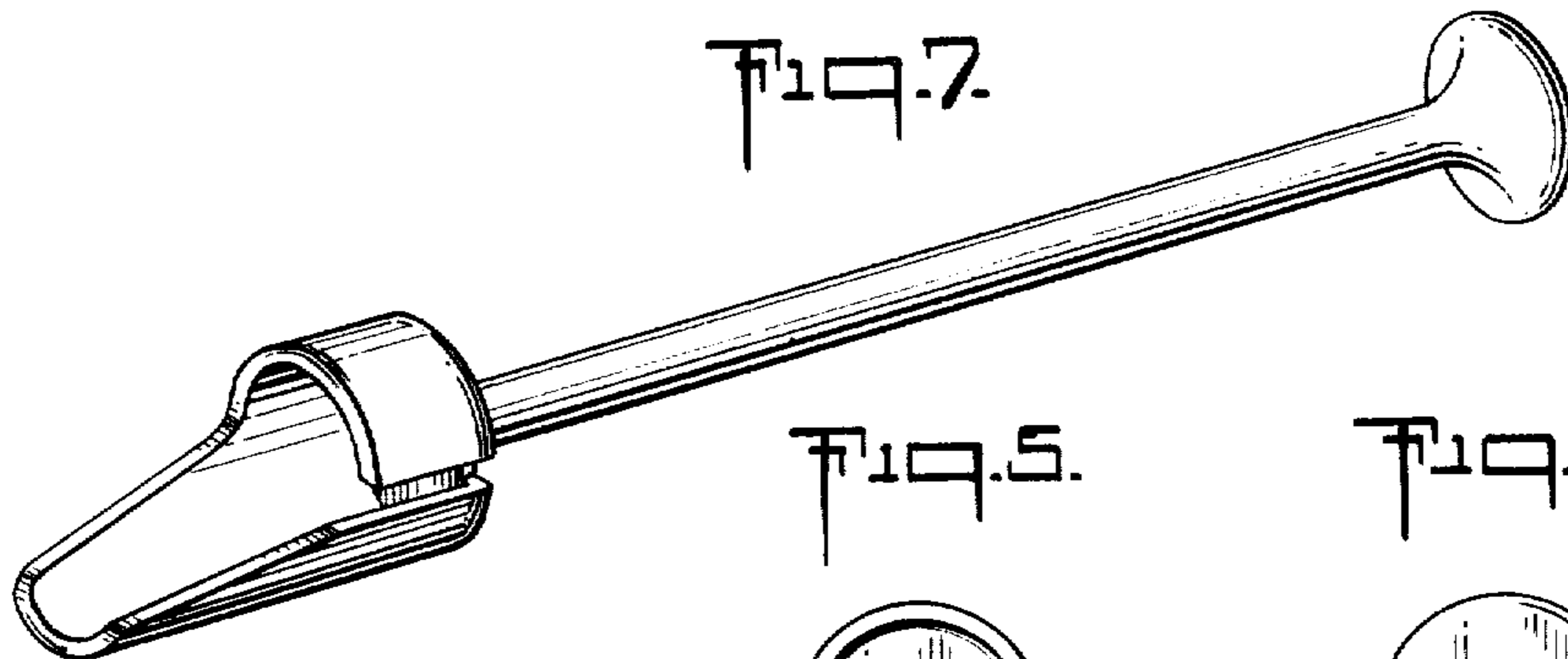


Fig. 5.

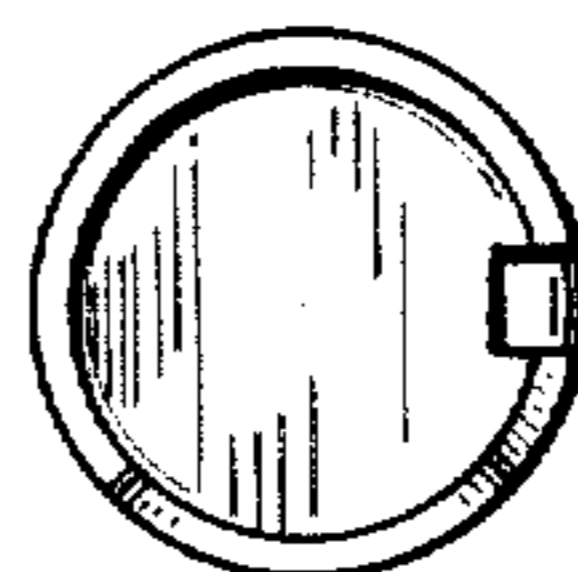


Fig. 6.

