

[54] **FORCEPS OR SIMILAR ARTICLE**

[76] Inventor: **John A. Tartaglia**, 108 Stoddard Rd.,
Waterbury, Conn. 06708

[**] Term: **14 Years**

[21] Appl. No.: **44,524**

[22] Filed: **Jun. 1, 1979**

[51] Int. Cl. **D24—02**

[52] U.S. Cl. **D24/27; 128/354;**
81/43

[58] Field of Search **D24/27; 128/354, 321,**
128/325, 346; 81/43

3,648,702 3/1972 Bean 128/321
3,653,389 4/1972 Shannon 81/43

Primary Examiner—Veronica O’Keefe
Attorney, Agent, or Firm—St. Onge, Steward, Johnston,
Reens & Noë

[57] **CLAIM**

The ornamental design for forceps or similar article,
substantially as shown and described.

DESCRIPTION

FIG. 1 is a perspective view of forceps or similar article
showing my new design;
FIG. 2 is a top plan view thereof, the bottom plan view
being identical in appearance;
FIG. 3 is a view in side elevation, looking from one side;
FIG. 4 is a view in side elevation, looking from the side
opposite that shown in FIG. 3;
FIG. 5 is an end view looking at the nose thereof; and
FIG. 6 is an end view looking at the end opposite that
seen in FIG. 5.

[56] **References Cited**

U.S. PATENT DOCUMENTS

D. 221,707 8/1971 Shannon D24/27
3,140,715 7/1964 Whitton 81/43
3,265,068 8/1966 Holohan 128/321

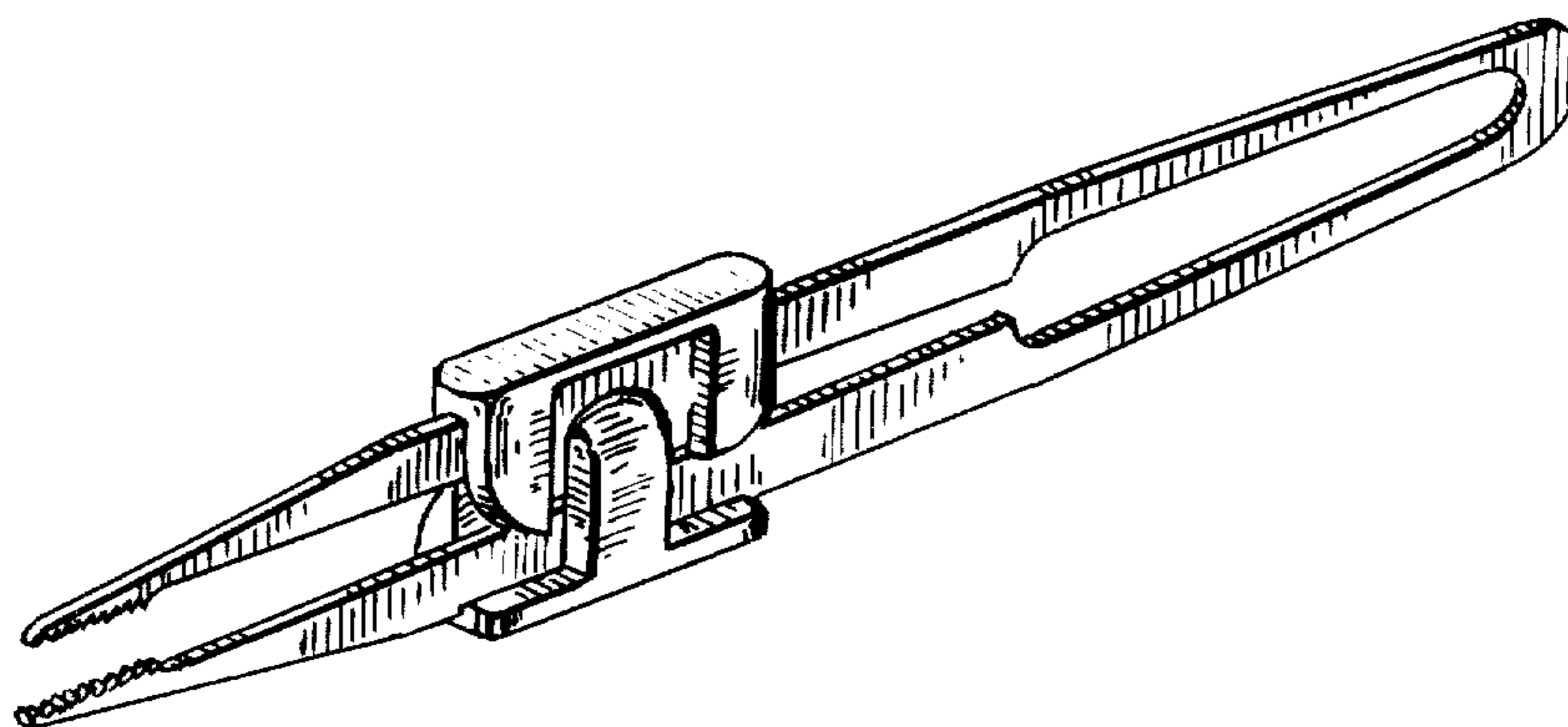


Fig. 1.

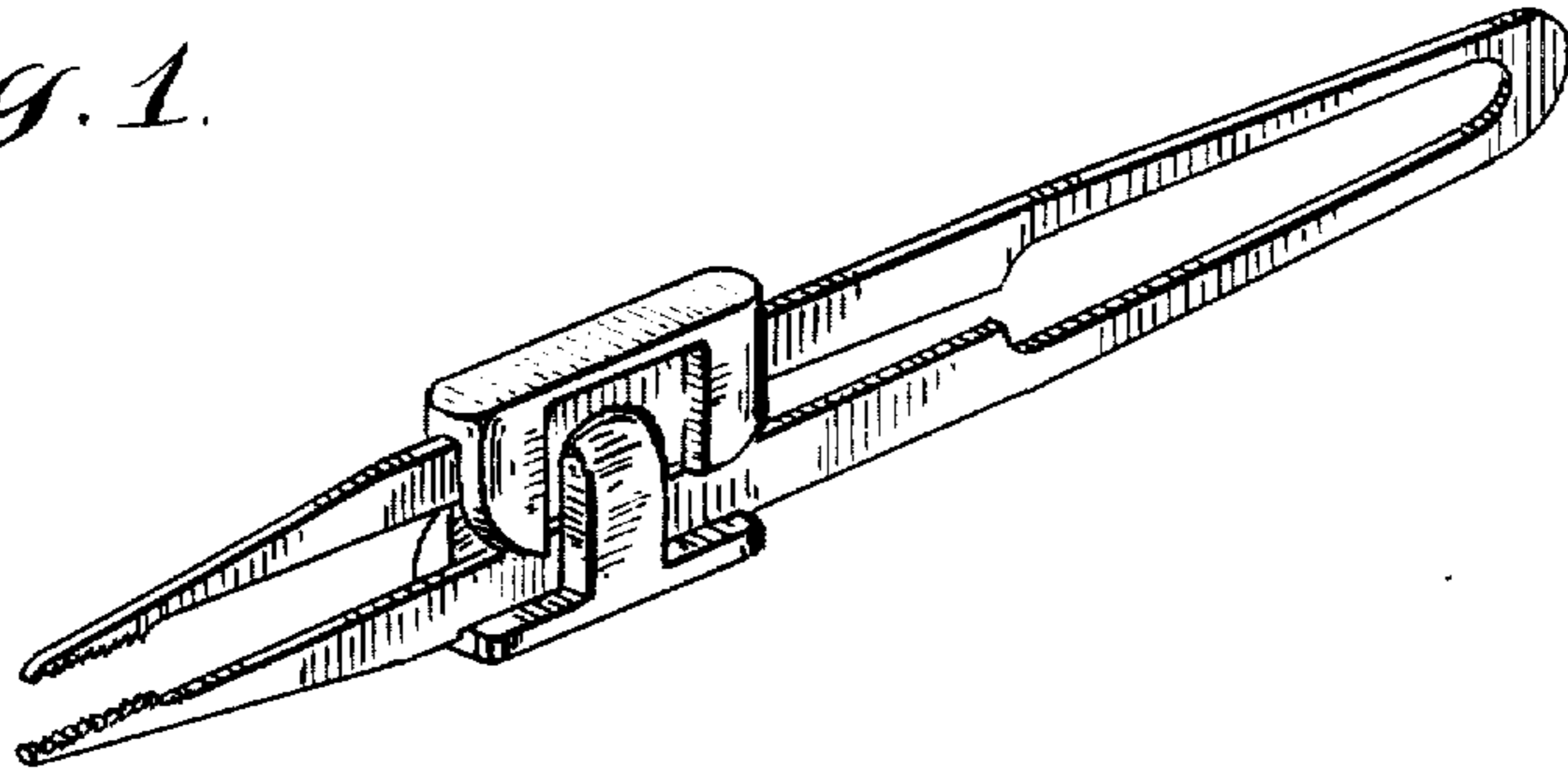


Fig. 2.

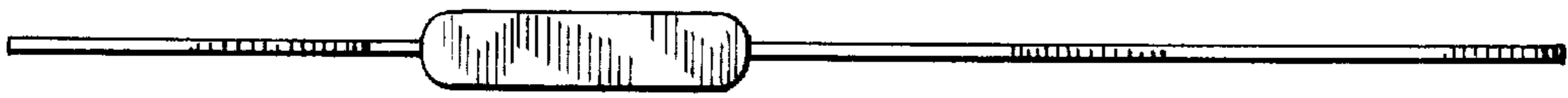


Fig. 3.

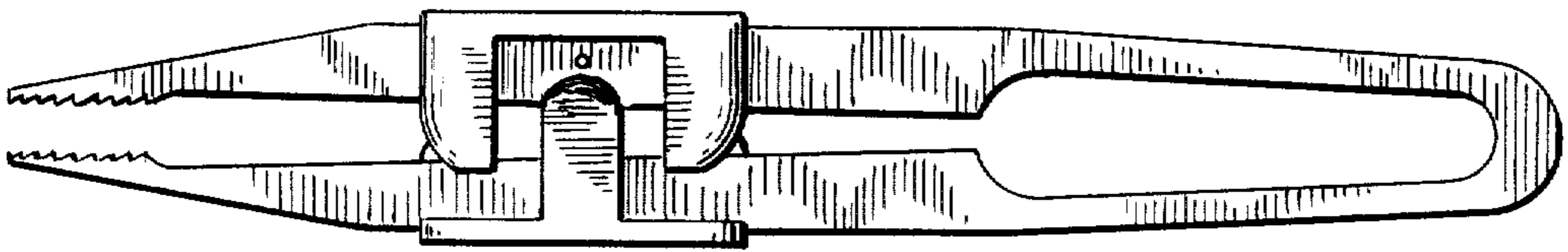


Fig. 4.

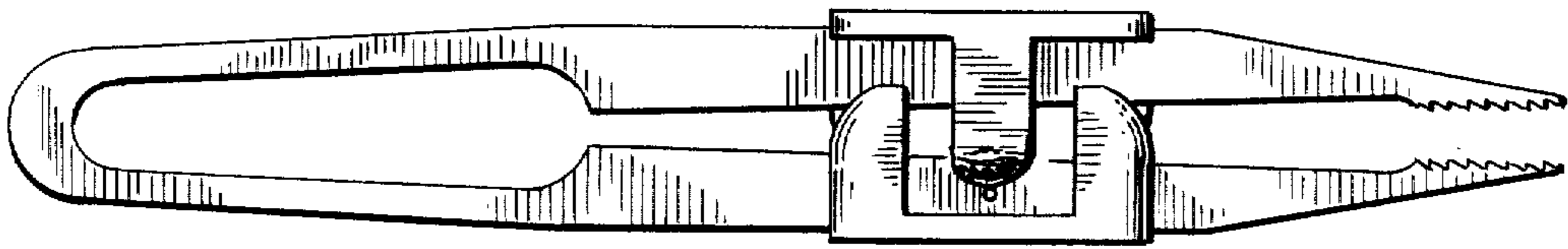


Fig. 5.



Fig. 6.

