

[54] **ROOF CURB FOR SUPPORTING A VENTILATOR**  
 [75] Inventor: **Ralph M. Kearney, III, Yardley, Pa.**  
 [73] Assignee: **Ralph Kearney & Son, Inc., Cornwells Heights, Pa.**  
 [\*\*) Term: **14 Years**  
 [21] Appl. No.: **63,348**  
 [22] Filed: **Aug. 2, 1979**

D. 247,509	3/1978	Rousey	.....	D23/153
2,218,348	10/1940	Boyer	.....	98/43 R
2,439,271	4/1948	Shaver	.....	98/43 R
2,774,293	12/1956	Jenn	.....	98/43 R
2,830,527	4/1958	Breidert et al.	.....	98/43 R X
3,302,551	2/1967	Van Belle et al.	.....	98/43 R
3,461,625	8/1969	Sandow	.....	D23/153 X
3,960,063	6/1976	Siemes et al.	.....	98/43 R

[51] Int. Cl. .... **D23-04**  
 [52] U.S. Cl. .... **D23/163**  
 [58] Field of Search ..... **D23/151, 152, 163, 153; 98/43 R, 43 C**

*Primary Examiner*—James R. Largen  
*Attorney, Agent, or Firm*—Joseph G. Denny, III; Peter J. Patane

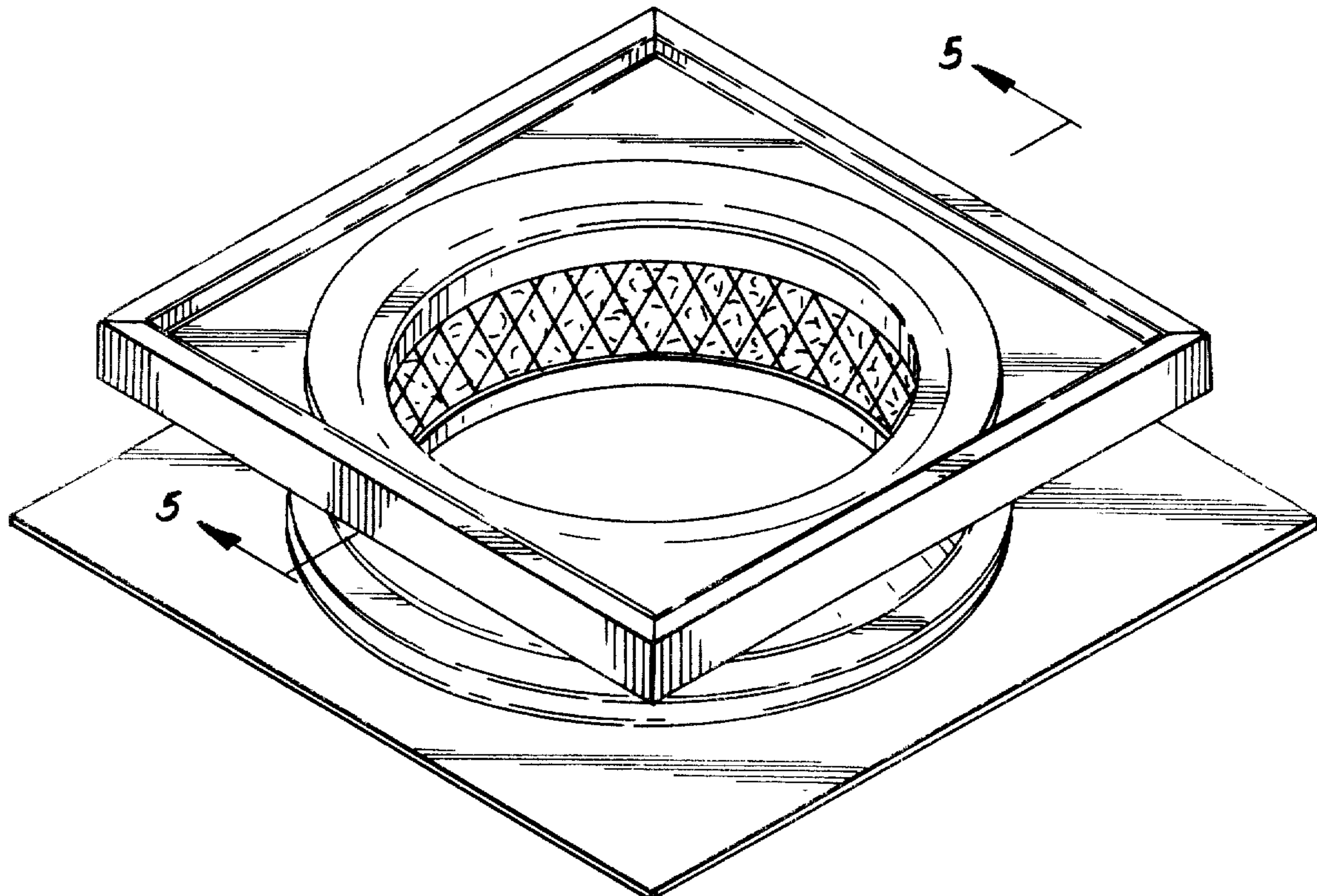
[57] **CLAIM**

The ornamental design for a roof curb for supporting a ventilator, as shown and described.

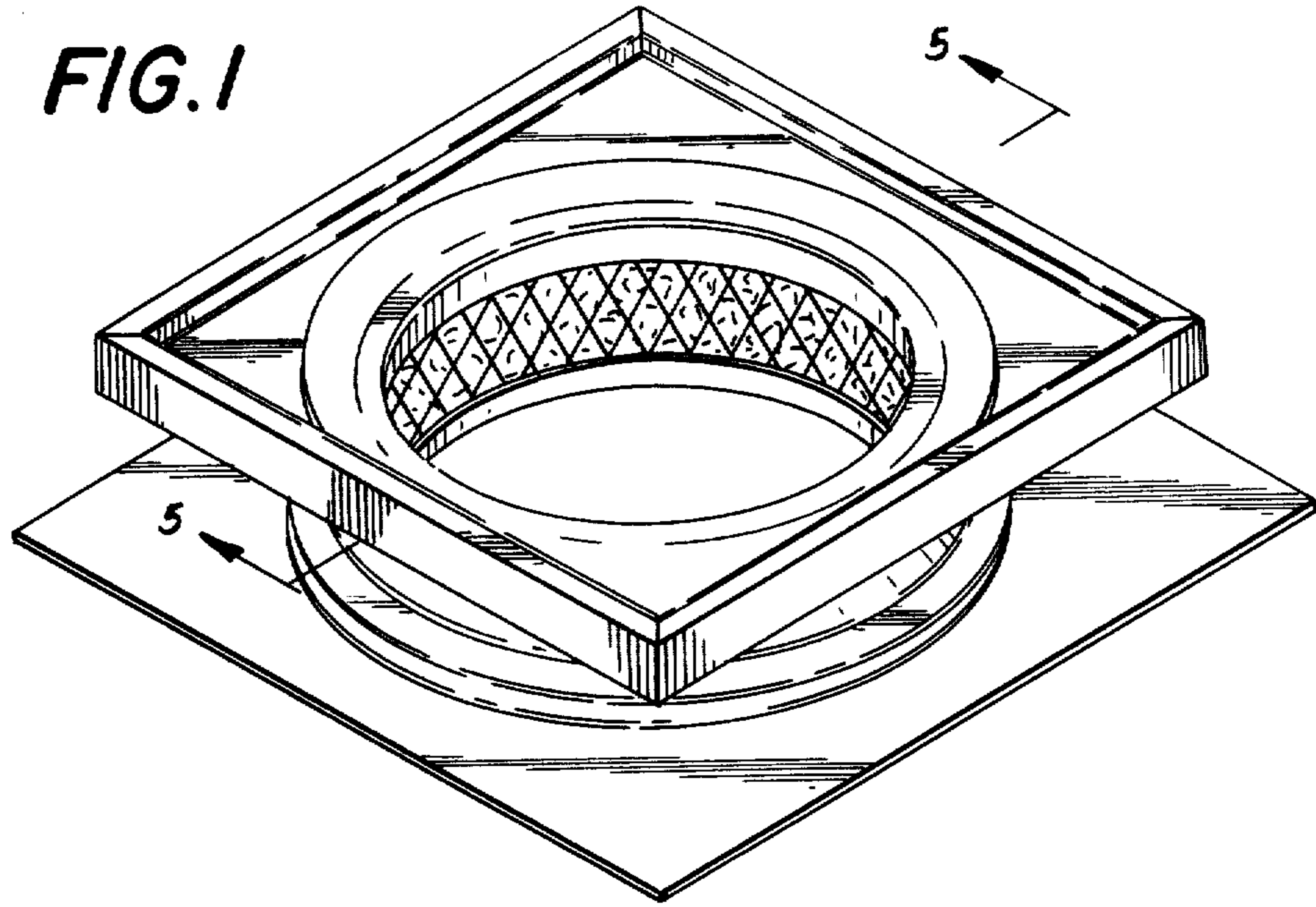
**DESCRIPTION**

FIG. 1 is a top and front perspective view of a roof curb for supporting a ventilator showing my new design; FIG. 2 is a top plan view thereof; FIG. 3 is a bottom plan view thereof; FIG. 4 is a right side elevational view thereof; and FIG. 5 is a cross-sectional view taken along the line 5-5 in FIG. 1.

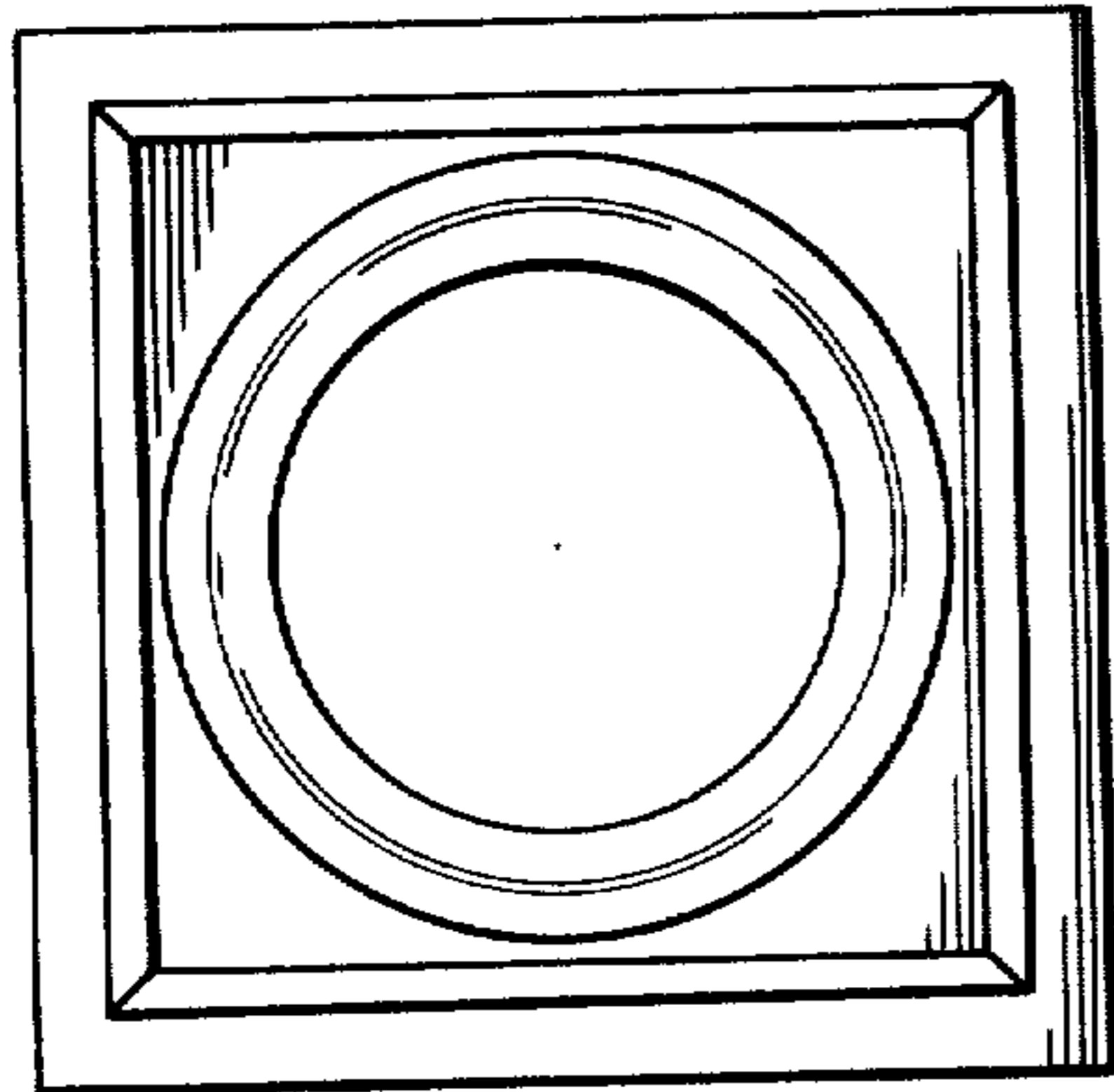
[56] **References Cited**  
**U.S. PATENT DOCUMENTS**  
 D. 179,950 3/1957 Miller ..... D23/153  
 D. 188,962 10/1960 Zeiler ..... D23/153  
 D. 191,018 8/1961 Kearney et al. .... D23/153  
 D. 203,139 12/1965 Jenn et al. .... D23/153



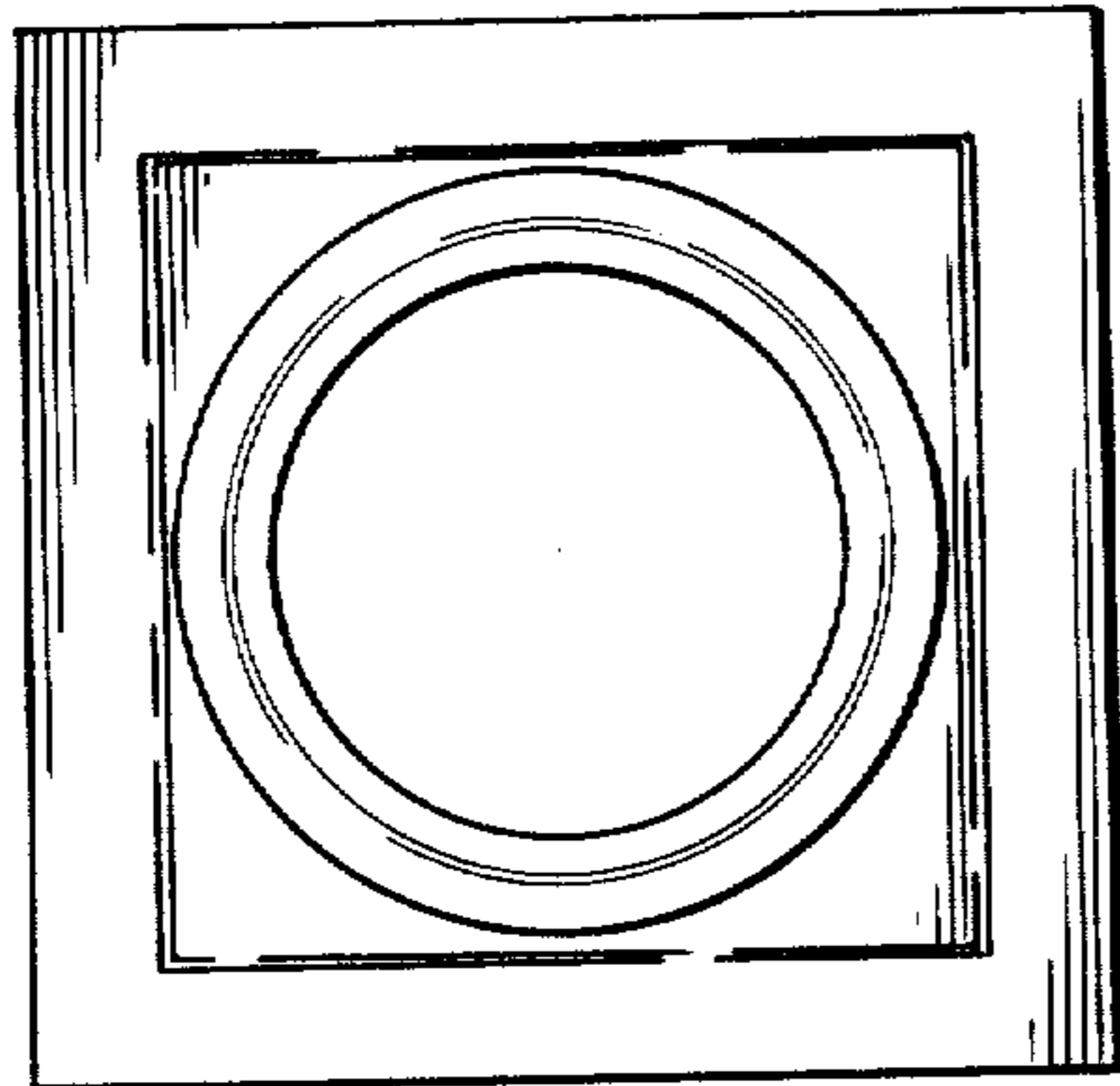
**FIG. 1**



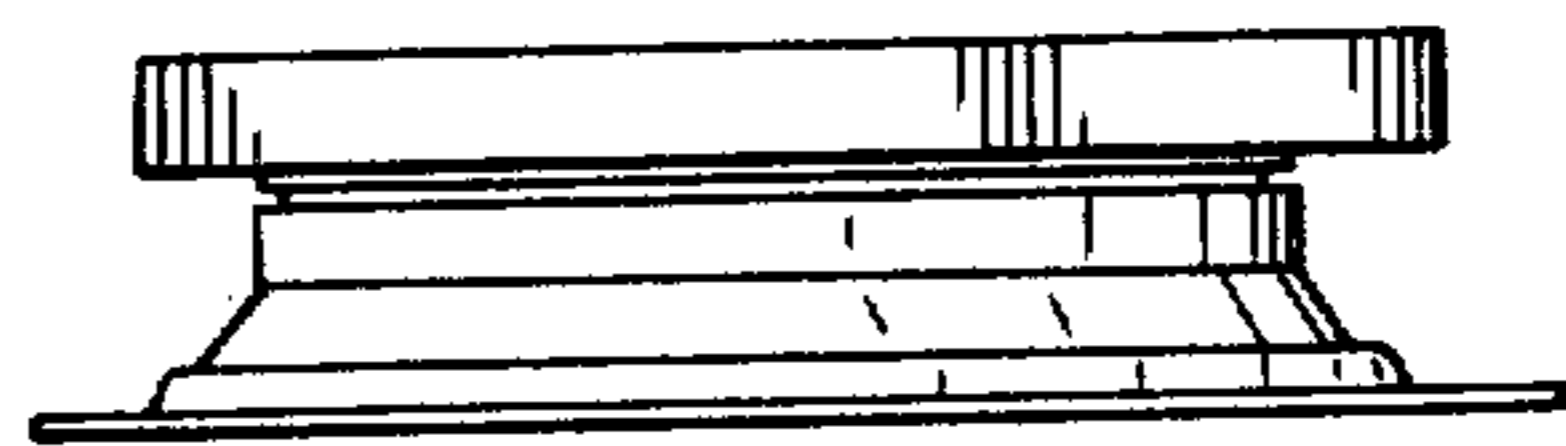
**FIG. 2**



**FIG. 3**



**FIG. 4**



*FIG. 5*

