

[54] FILTER

[75] Inventors: Philip C. Kimball, Andover; Julian S. Natanson, Lexington, both of Mass.

[73] Assignee: Whatman Reeve Angel Limited, Maidstone, England

[**] Term: 14 Years

[21] Appl. No.: 78,099

[22] Filed: Sep. 24, 1979

[51] Int. Cl. D23-04

[52] U.S. Cl. D23/149; D23/4; D12/194

[58] Field of Search D23/3, 4, 149; D12/194; 55/276, 419, 500, 505, DIG. 25

[56] References Cited

U.S. PATENT DOCUMENTS

D. 105,294 7/1937 McCabe D23/149

D. 117,566 11/1939 Koehler D23/149

D. 220,165 3/1971 Trainor D12/194

D. 248,485 7/1978 Strauss D23/4

1,779,458 10/1930 Annis 55/500 X

2,951,551 9/1960 West 55/419 X

3,454,129 7/1969 Everett 55/419 X

4,249,918 2/1981 Argo et al. 55/DIG. 25 X

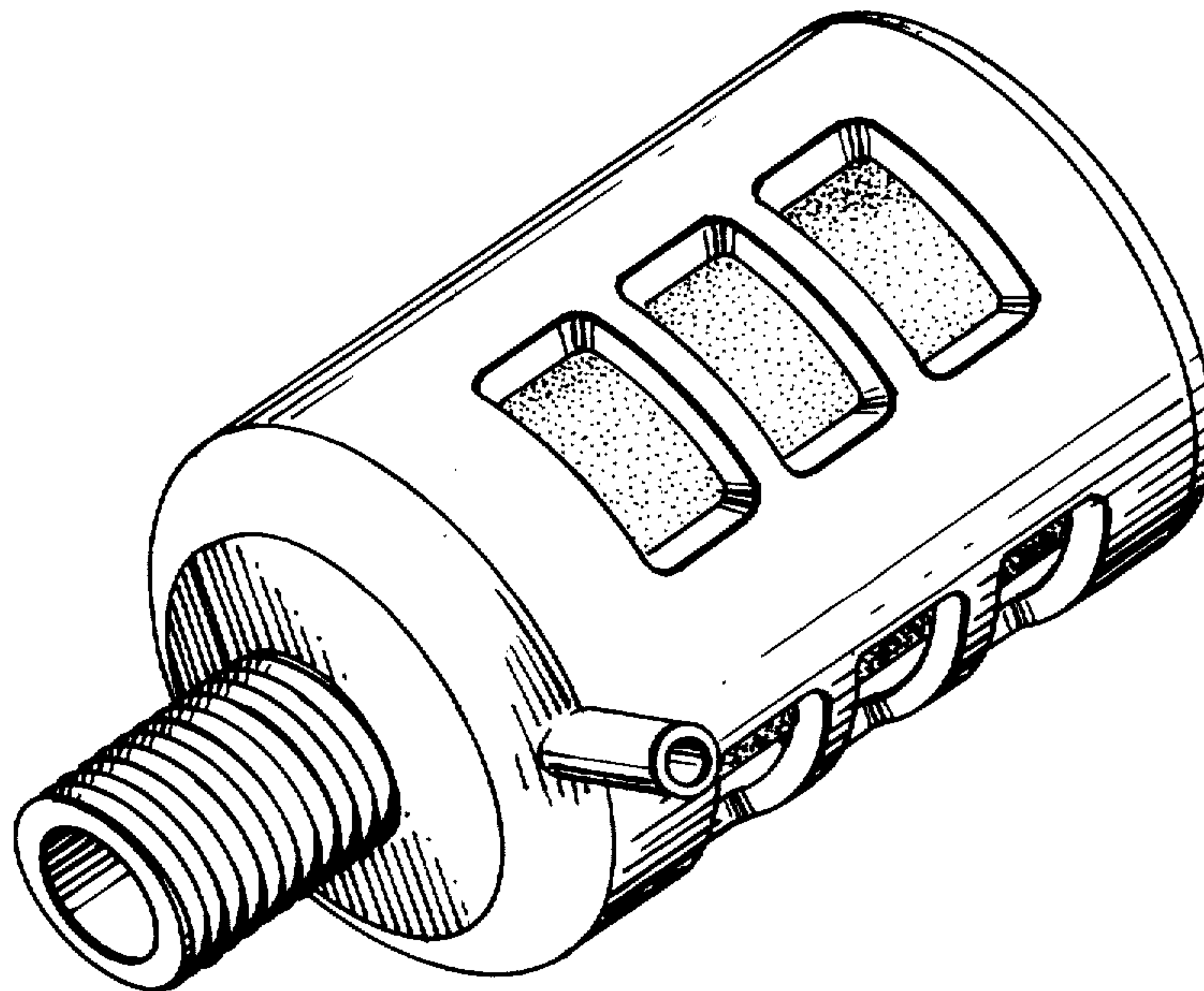
Primary Examiner—James R. Largent
 Attorney, Agent, or Firm—Richard P. Crowley

[57] CLAIM

The ornamental design for a filter, as shown and described.

DESCRIPTION

FIG. 1 is a bottom perspective view of a filter showing our new design;
 FIG. 2 is a bottom plan view thereof;
 FIG. 3 is an elevational view taken from one side thereof, the opposite side being a mirror image of the side shown; and
 FIG. 4 is a top plan view thereof.



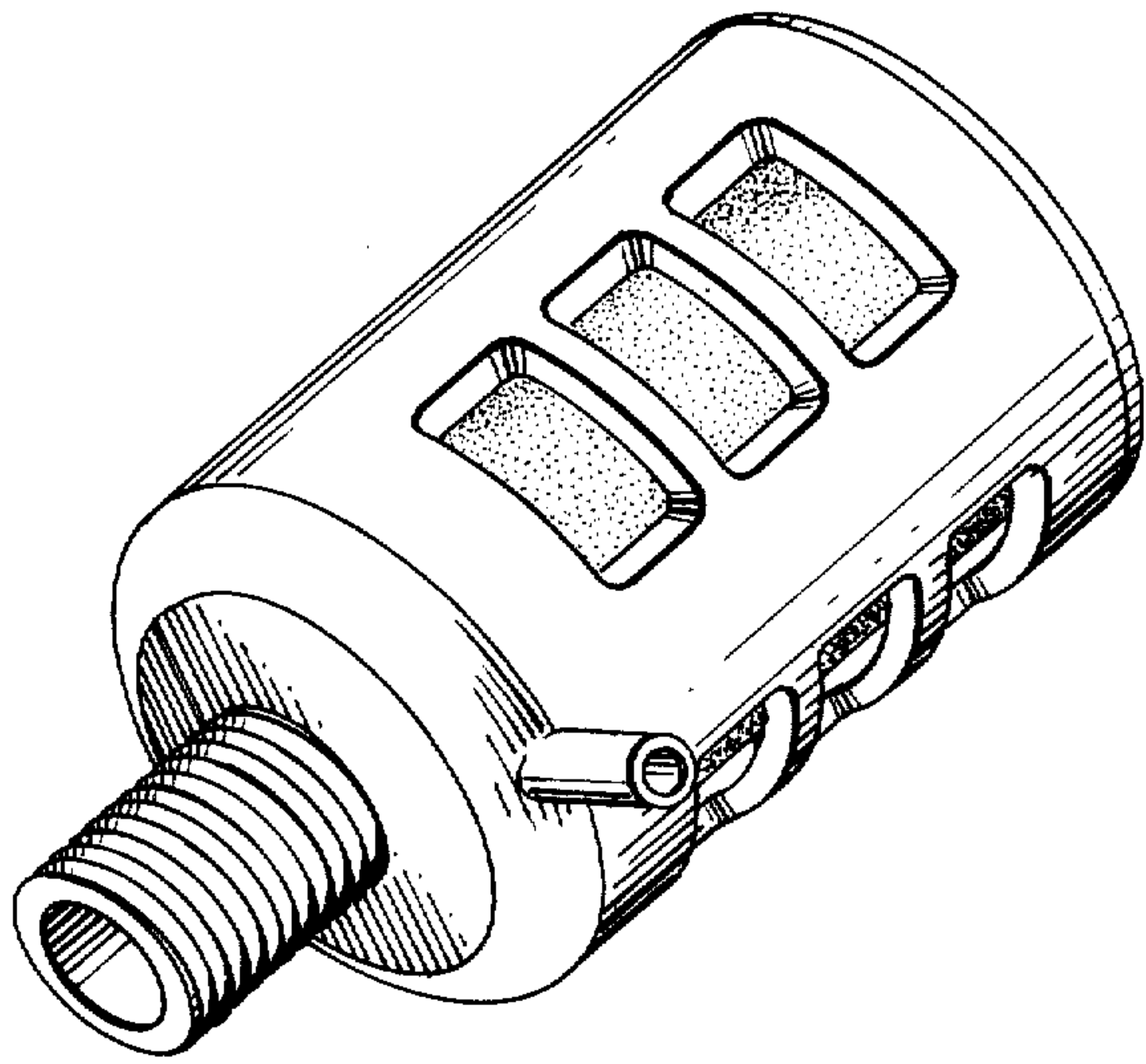


FIG. 1

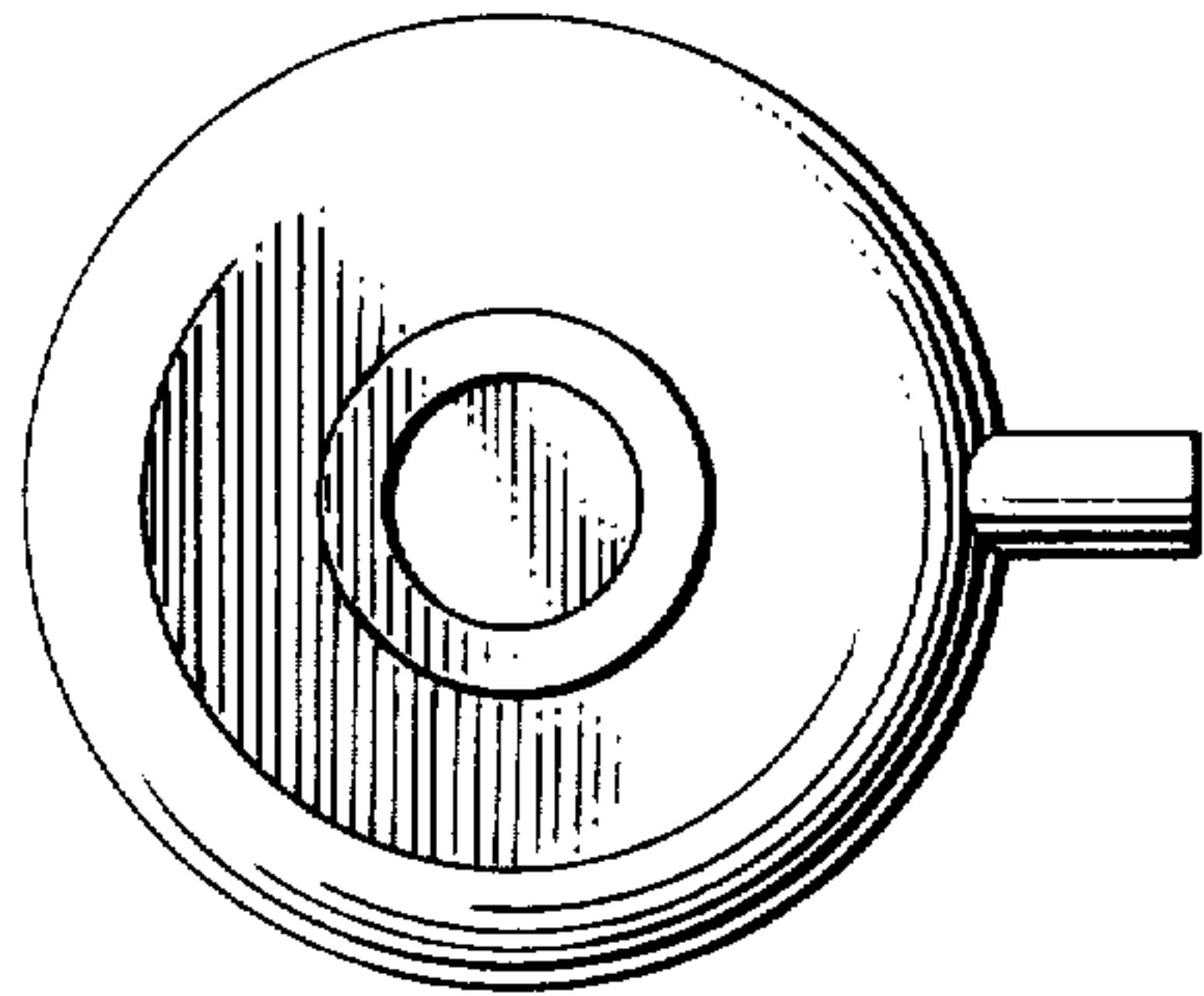


FIG. 2

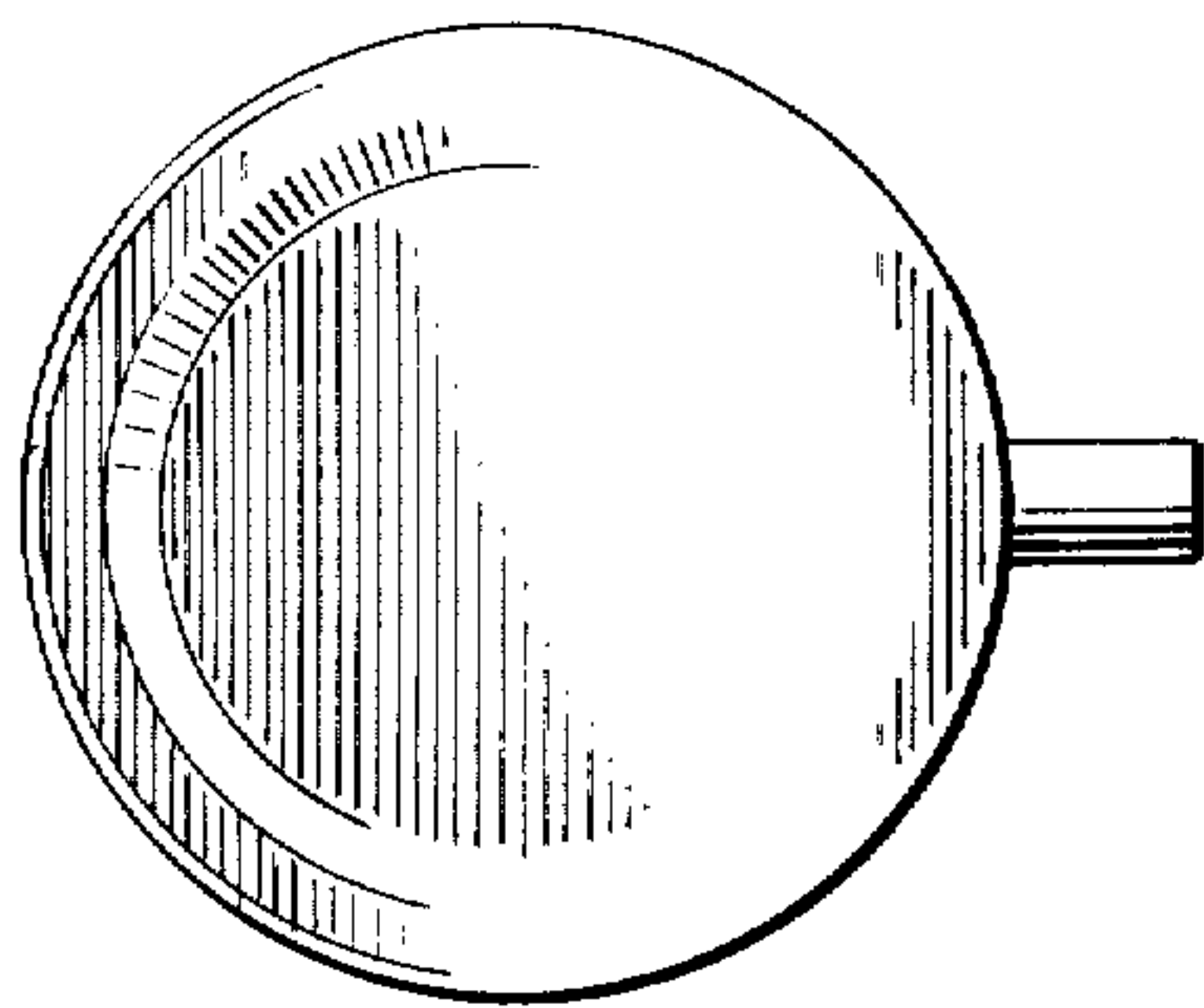


FIG. 4

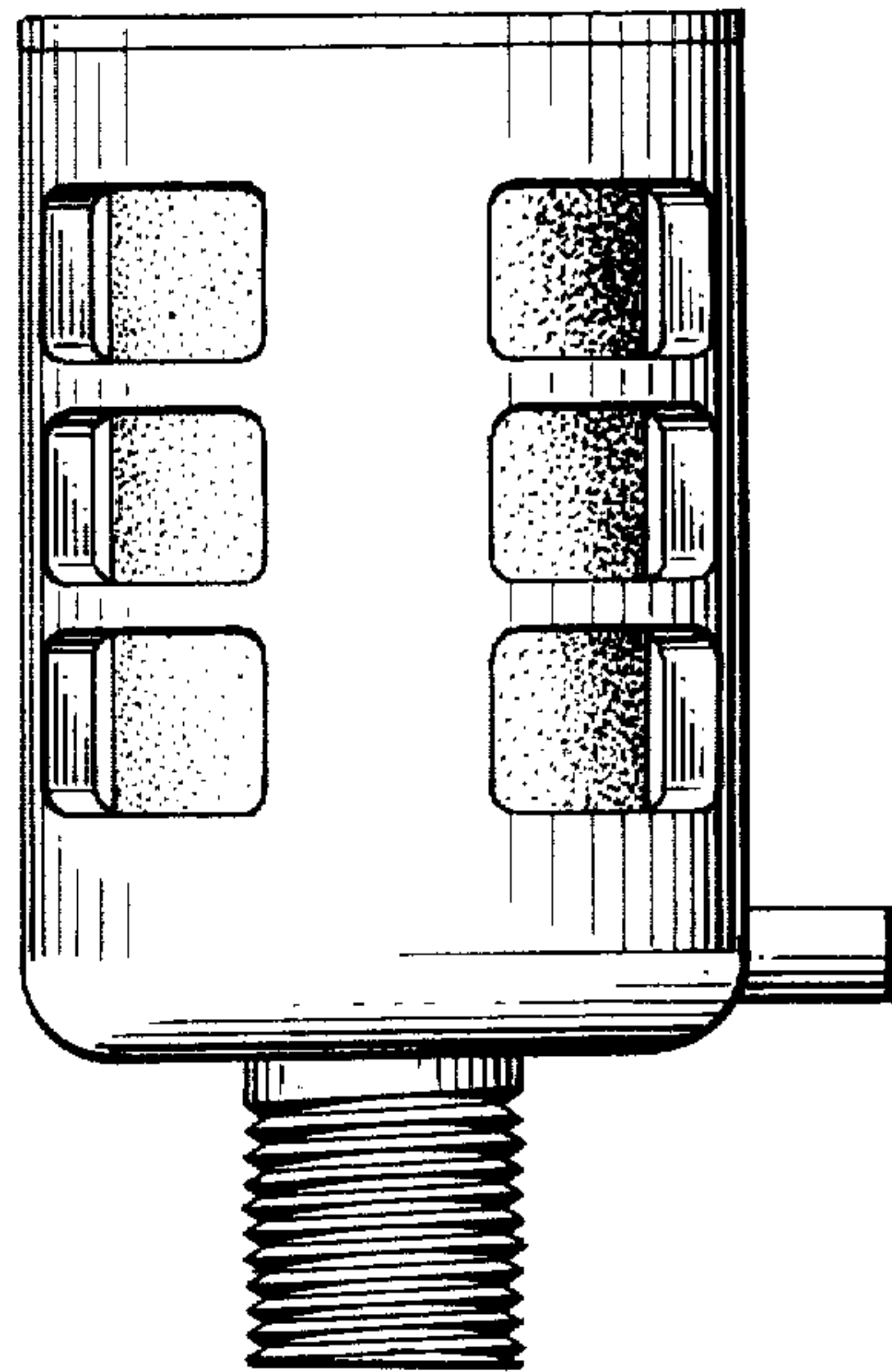


FIG. 3