

[54] WOOD BURNING STOVE

[76] Inventor: **Ronnie B. Schaafsma**, 31226 172nd Ave. SE., Auburn, Wash. 98002

[**] Term: **14 Years**

[21] Appl. No.: **77,083**

[22] Filed: **Sep. 20, 1979**

[51] Int. Cl. **D23-03**

[52] U.S. Cl. **D23/93**

[58] Field of Search D23/72, 92-97; 126/4.6, 58-68, 120, 121, 123, 135, 136, 138

[56] **References Cited**

U.S. PATENT DOCUMENTS

Re. 29,443 10/1977 Vaughn 126/120

D. 254,864 4/1980 Skabelund et al. D23/97
4,026,264 5/1977 Henriques 126/120 X
4,050,440 9/1977 Lessin 126/120

Primary Examiner—Catherine E. Kemper
Attorney, Agent, or Firm—Seed, Berry, Vernon & Baynham

[57] **CLAIM**

The ornamental design for a wood burning stove, as shown.

DESCRIPTION

FIG. 1 is a front perspective view of a wood burning stove showing my new design; FIG. 2 is a rear perspective view thereof; FIG. 3 is a side elevational view thereof; FIG. 4 is a top plan view thereof; and FIG. 5 is a bottom plan view thereof.

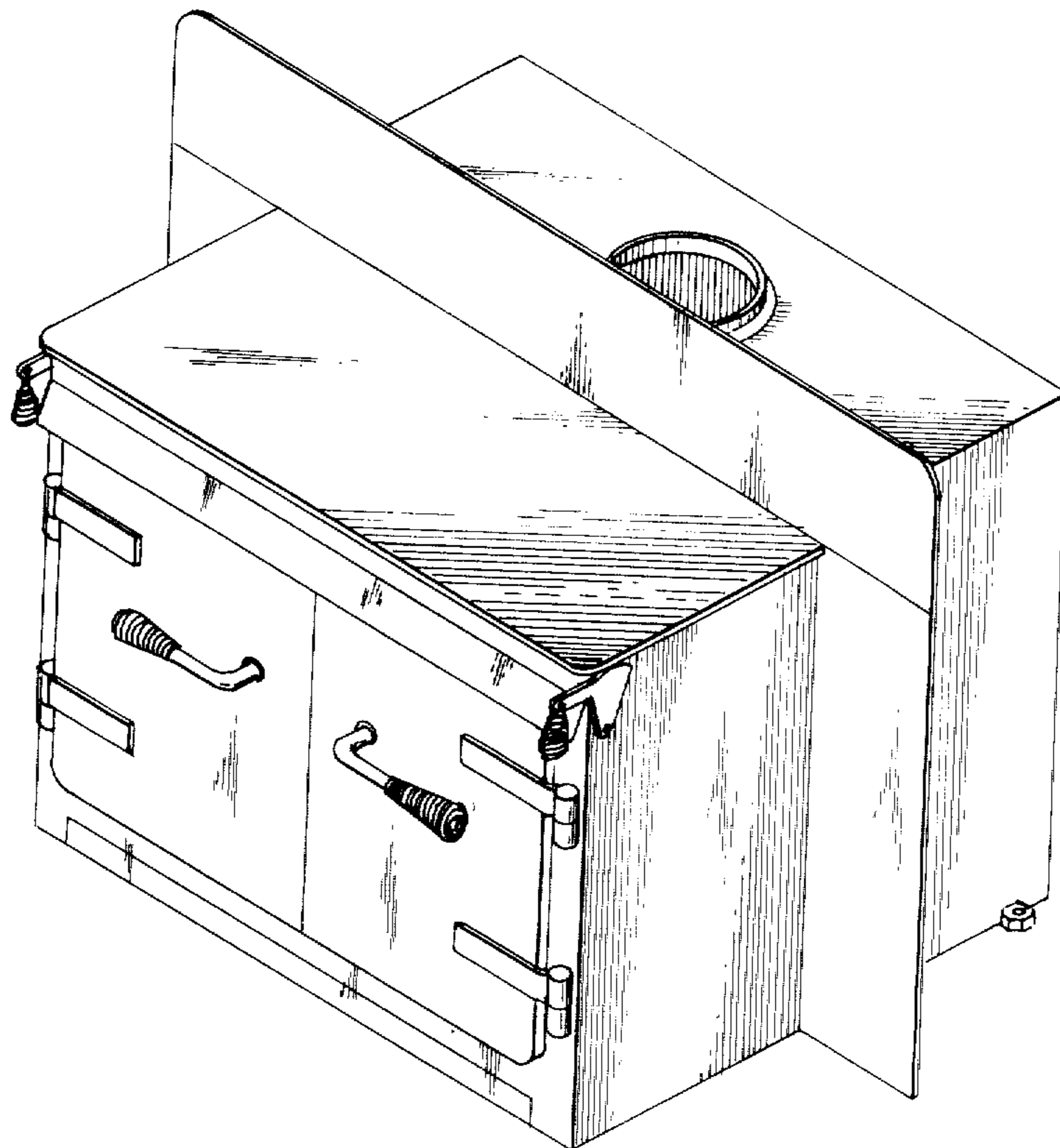


FIG. 1

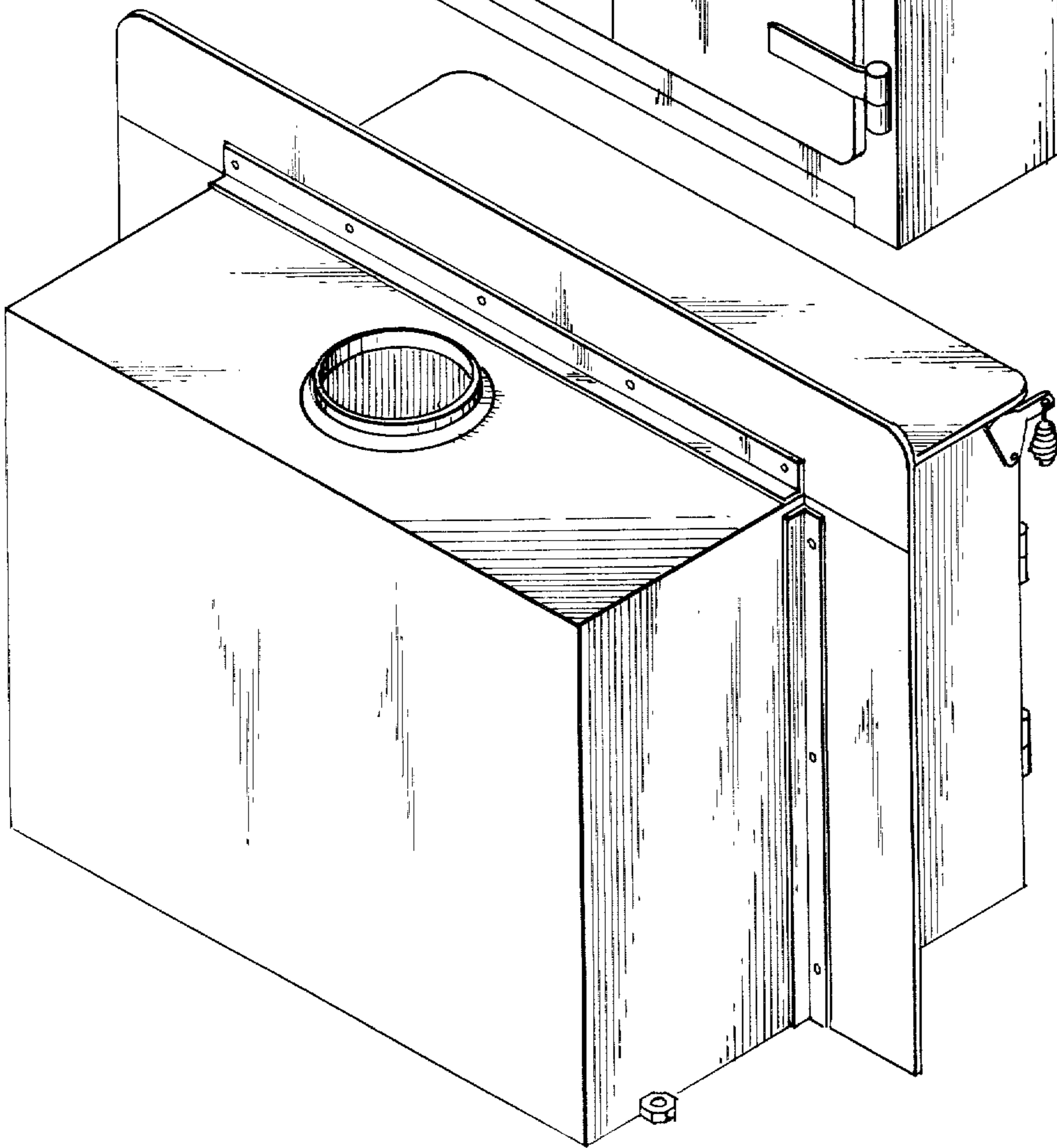
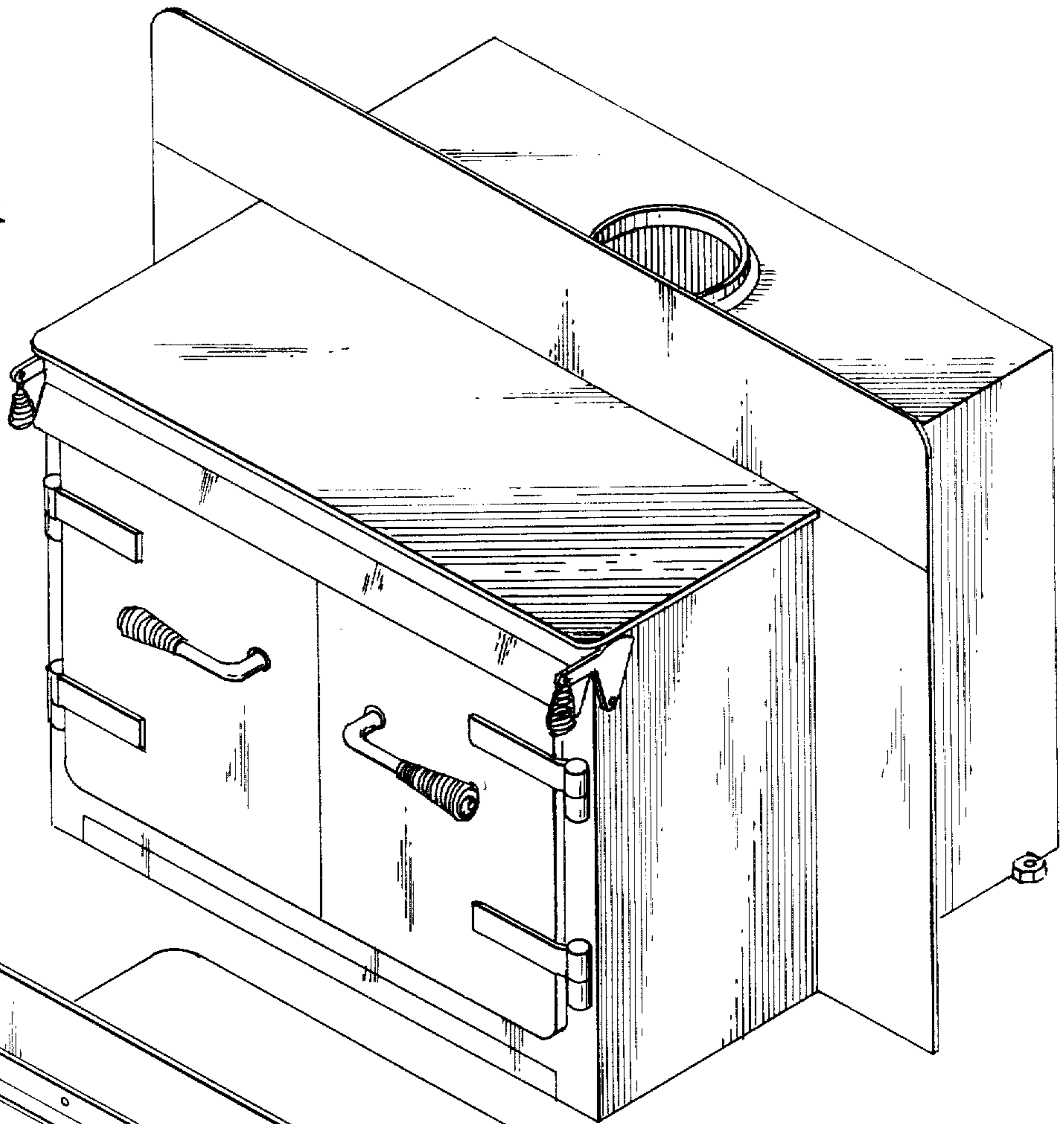


FIG. 2

FIG. 3

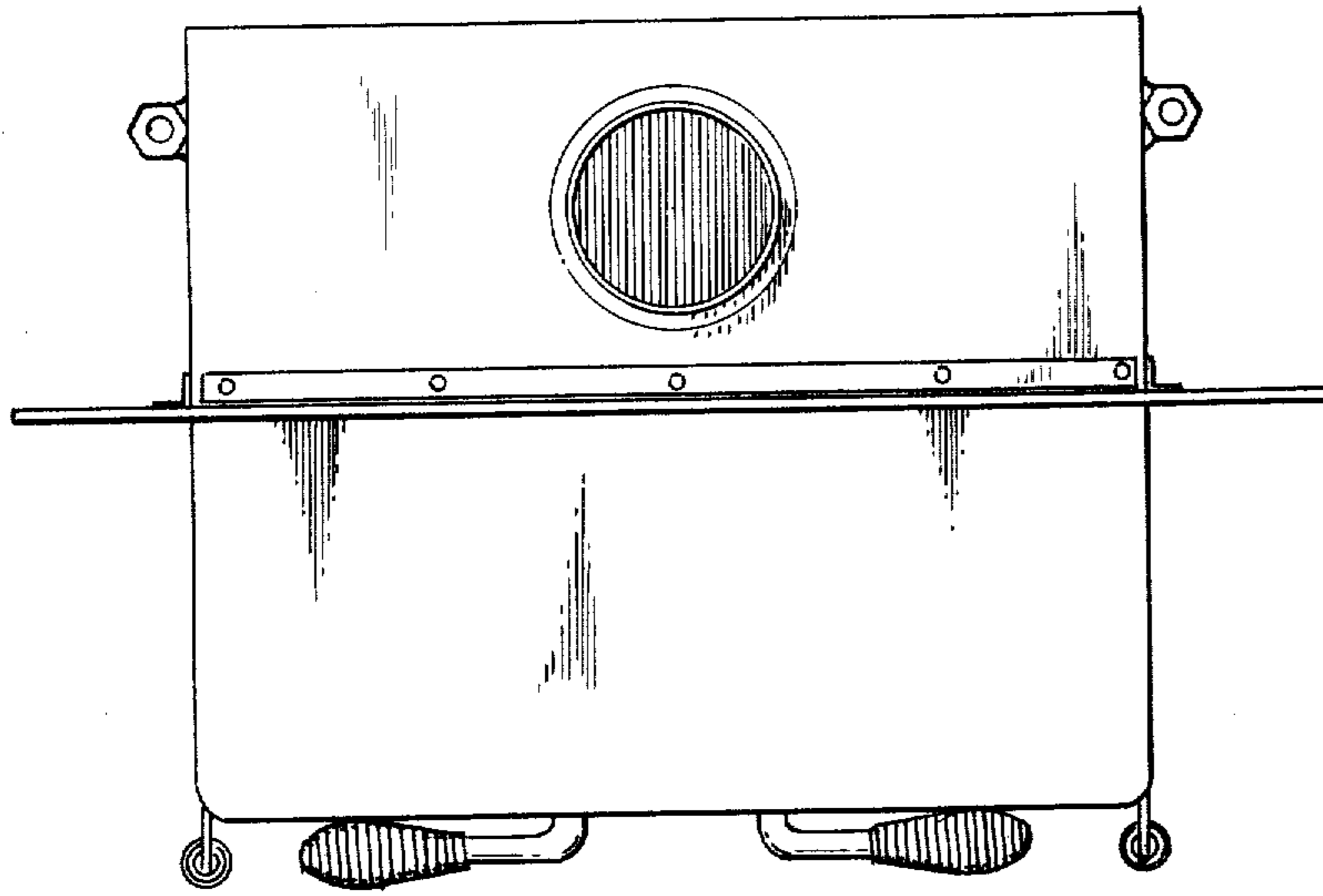
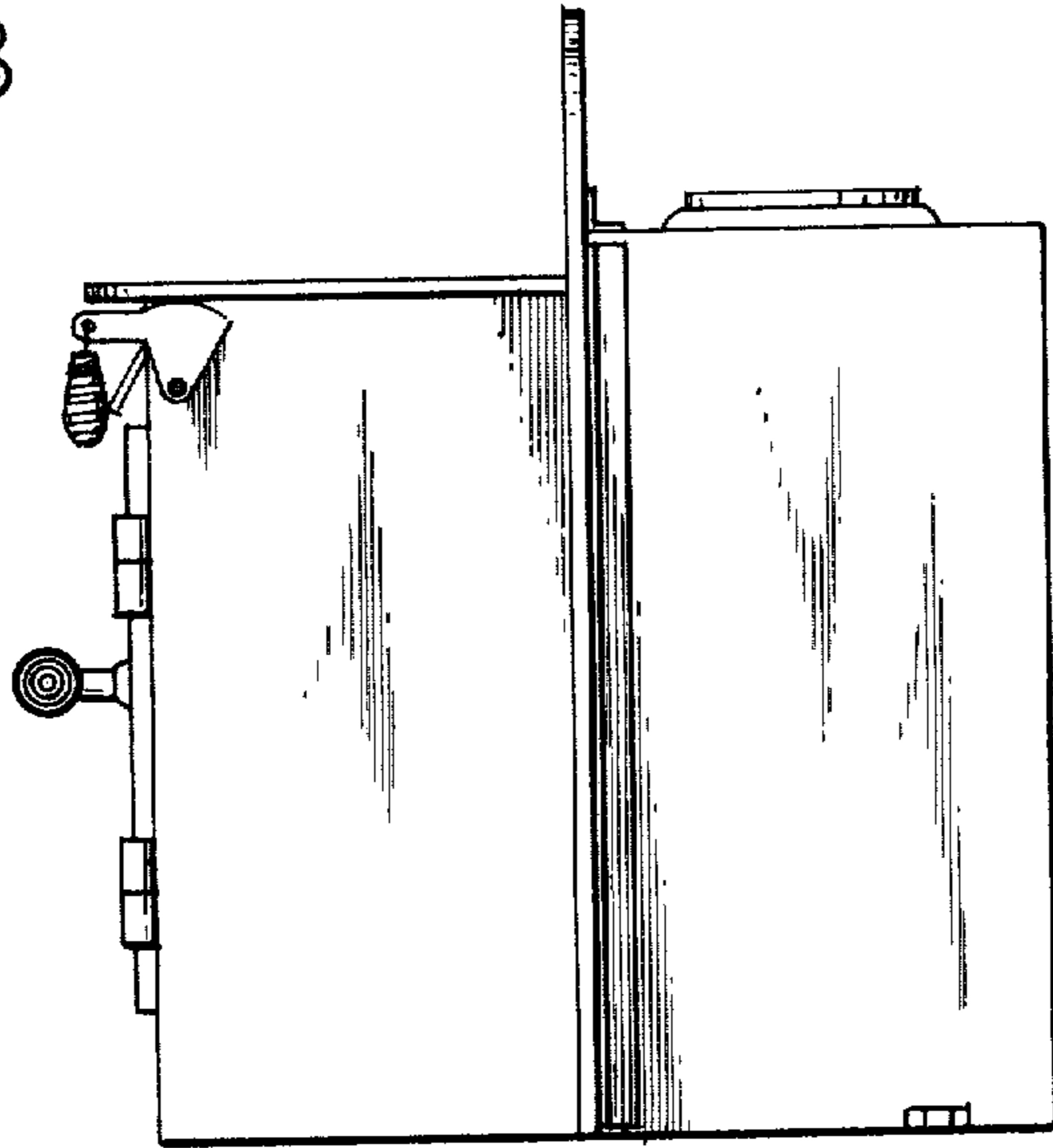


FIG. 4

FIG. 5

