

[54] **EXERCISE MACHINE**

[75] Inventor: **Ronald P. Hickman**, Jersey, Channel Islands

[73] Assignee: **Tekron Licensing B.V.**, De Leersum, Netherlands

[**] Term: **14 Years**

[21] Appl. No.: **100,467**

[22] Filed: **Dec. 5, 1979**

[30] **Foreign Application Priority Data**

Jun. 5, 1979 [GB] United Kingdom 990,195

[51] Int. Cl. **D21-02**

[52] U.S. Cl. **D21/192**

[58] Field of Search **D21/191-199;**
272/67, 70, 132, 134, 130, 131, 138

[56] **References Cited**

U.S. PATENT DOCUMENTS

D. 225,343 12/1972 Flick et al. D21/192
1,909,190 5/1933 Sachs 272/70
3,970,302 7/1976 McFee 272/130

FOREIGN PATENT DOCUMENTS

523174 4/1933 Fed. Rep. of Germany .

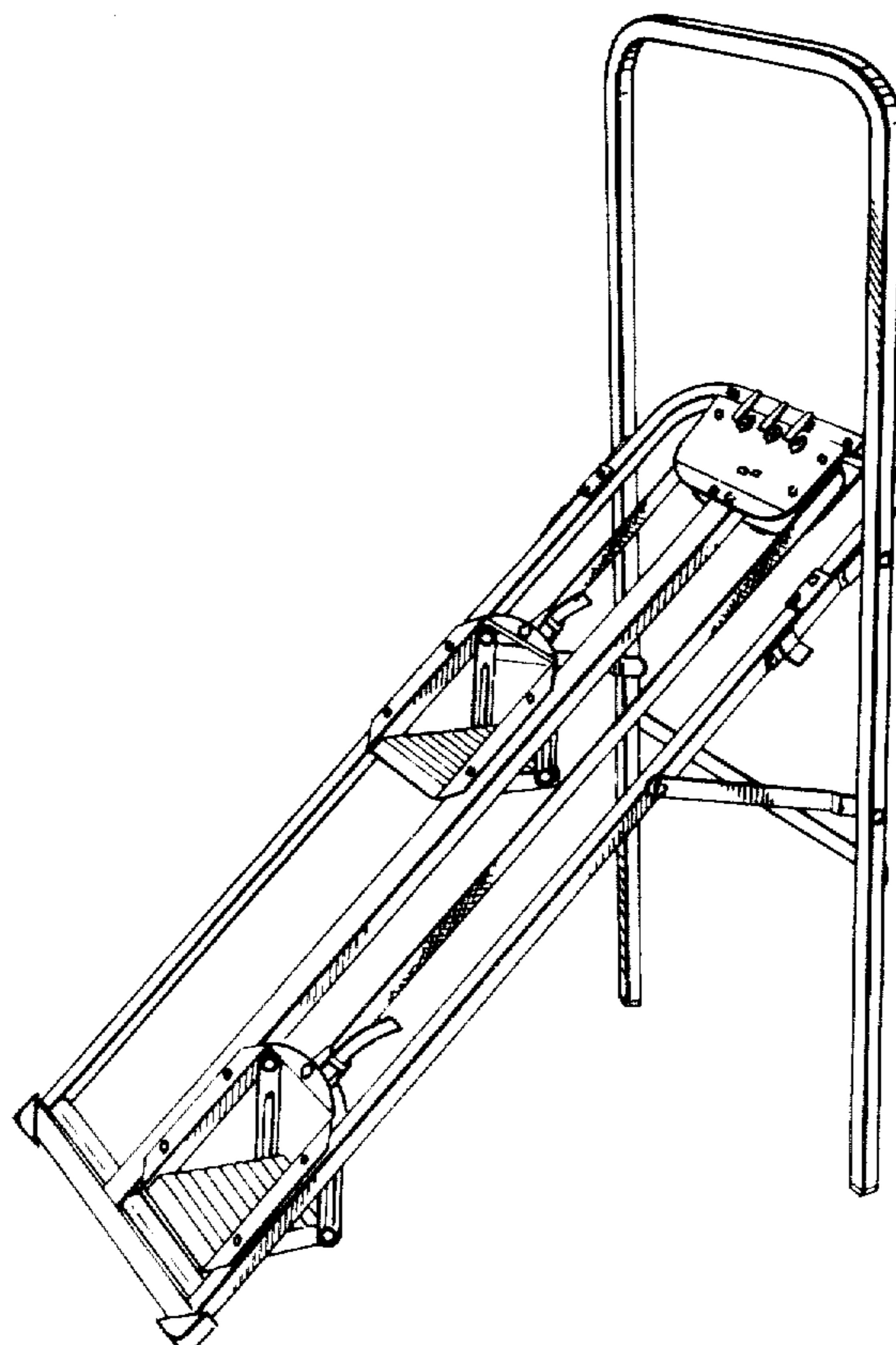
Primary Examiner—Charles A. Rademaker
Attorney, Agent, or Firm—Brumbaugh, Graves,
Donohue & Raymond

[57] **CLAIM**

The ornamental design for the exercise machine, as shown and described.

DESCRIPTION

FIG. 1 is a front perspective view of an exercise machine showing my new design in an open condition; FIG. 2 is a rear perspective view thereof; FIG. 3 is another front perspective view thereof; FIG. 4 is a side elevational view thereof in a closed condition; FIG. 5 is a side perspective view thereof; and, FIG. 6 is a front elevational view thereof.



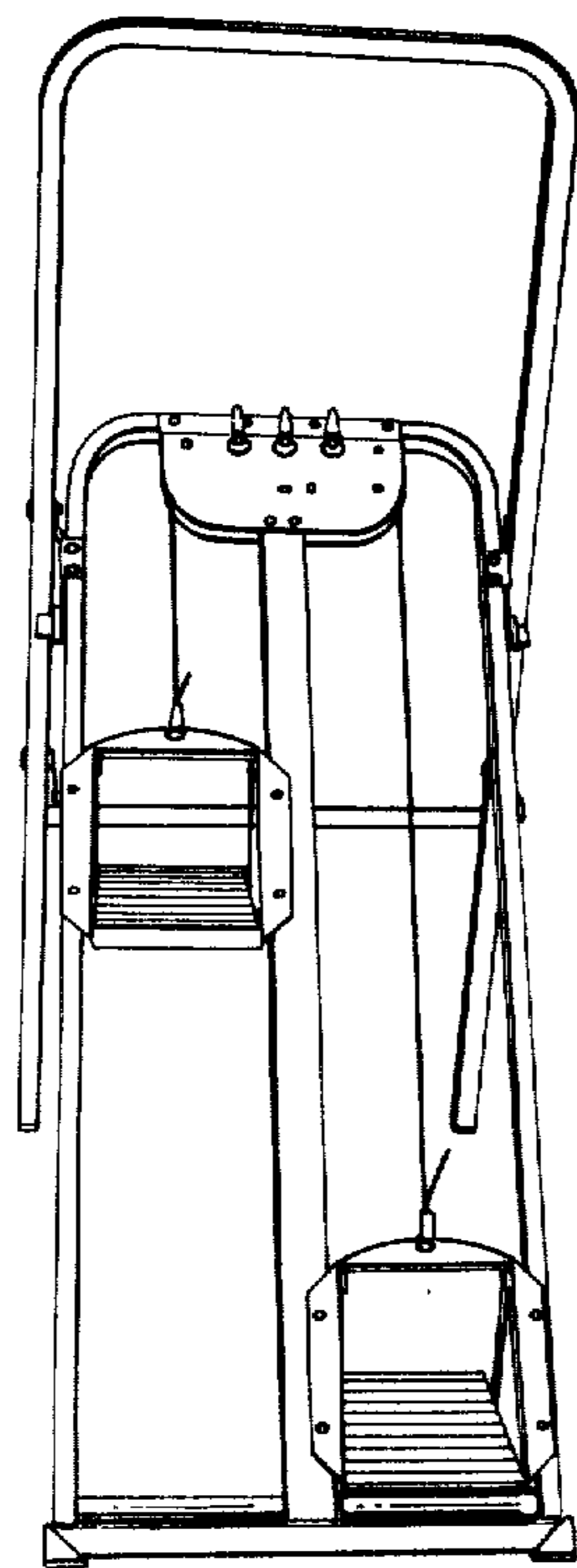
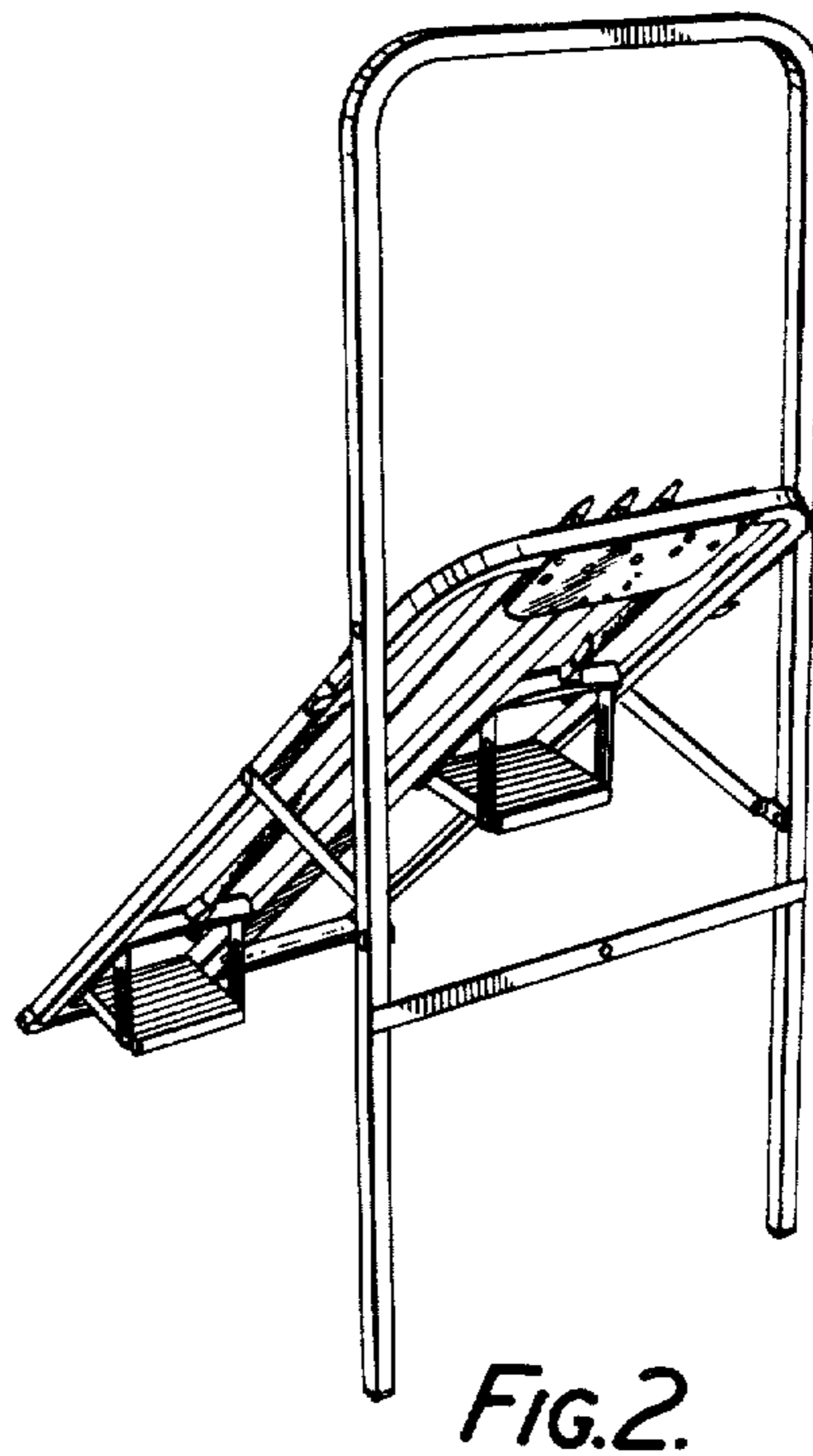
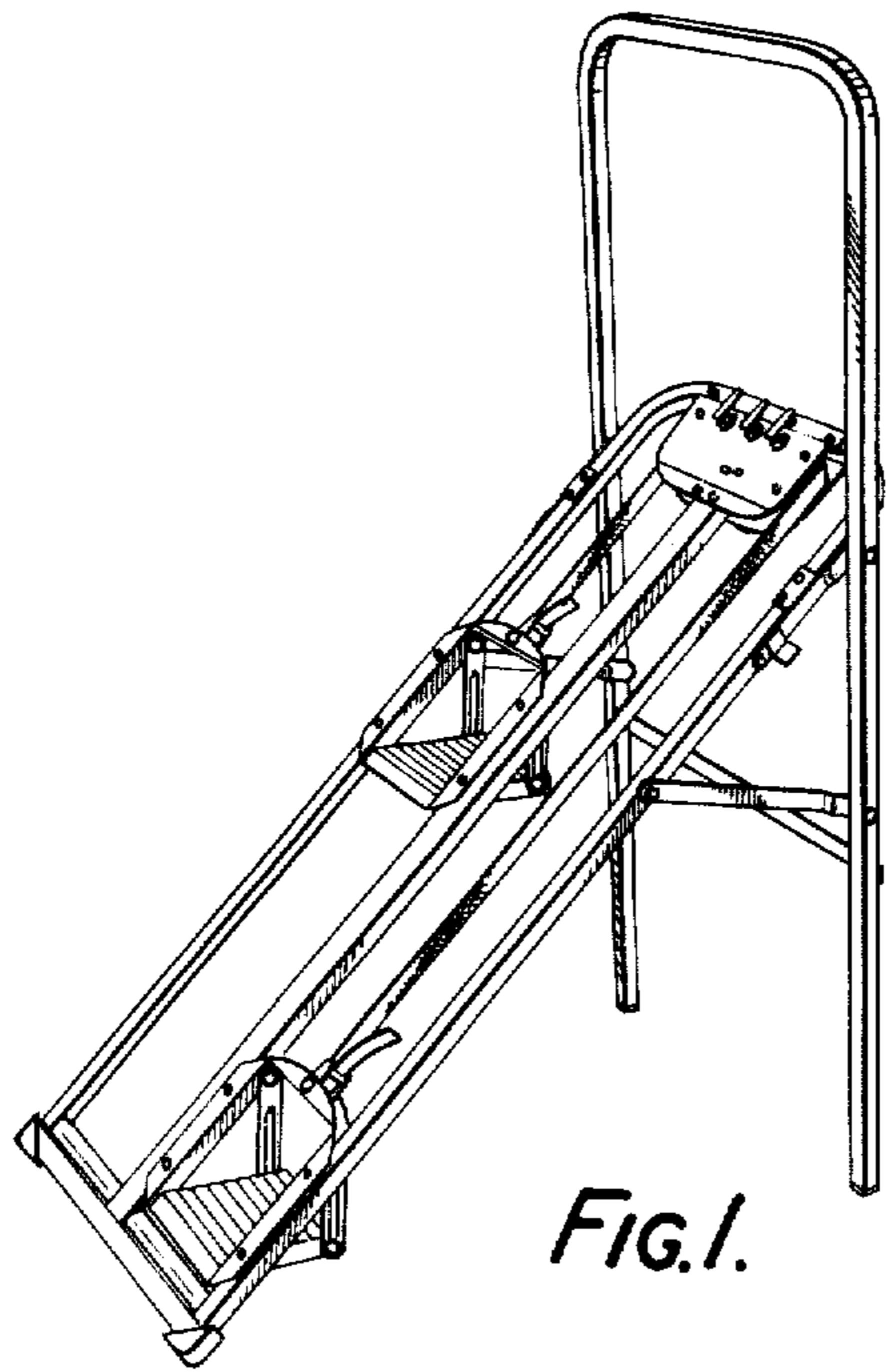




FIG. 4.

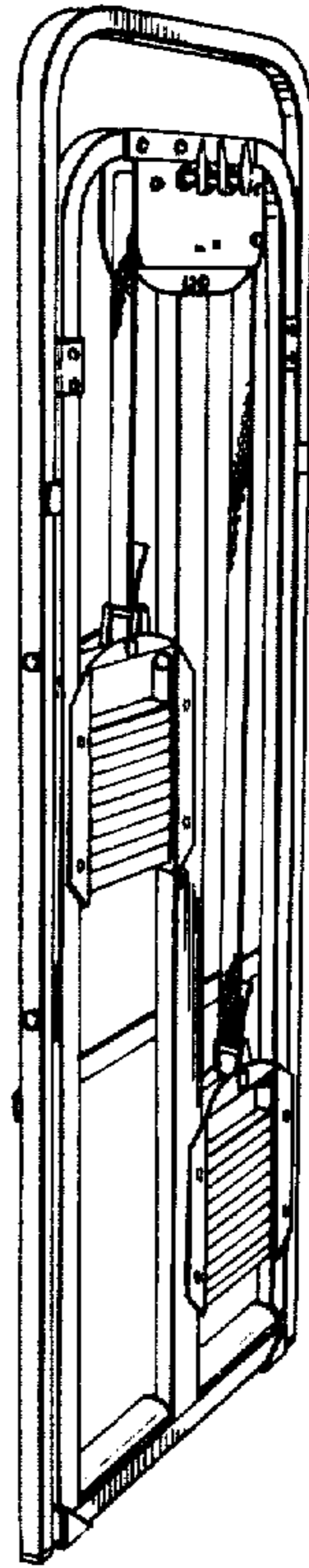


FIG. 5.

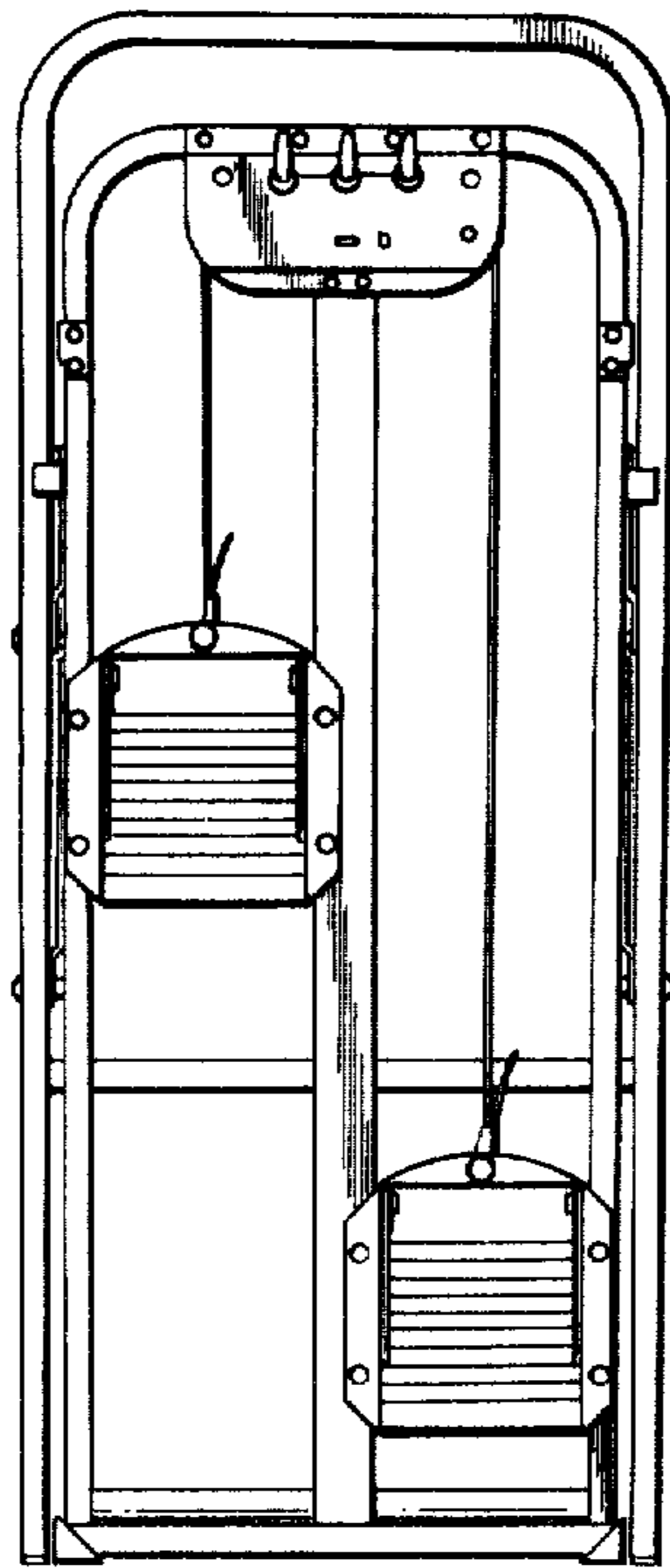


FIG. 6.

UNITED STATES PATENT AND TRADEMARK OFFICE
CERTIFICATE OF CORRECTION

PATENT NO. : Des. 263,490
DATED : March 23, 1982
INVENTOR(S) : Ronald P. Hickman

It is certified that error appears in the above—identified patent and that said Letters Patent is hereby corrected as shown below:

First page, Item [30], "990,195" should read --990,198--.

Signed and Sealed this

First Day of June 1982

[SEAL]

Attest:

Attesting Officer

GERALD J. MOSSINGHOFF

Commissioner of Patents and Trademarks