

[54] POGO STICK

3,181,862 5/1965 White 272/114

[75] Inventors: Elliot Rudell, 1921 Artesia Blvd., Redondo Beach, Calif. 90278; Joseph Cernansky; Harold Garner, both of Los Angeles County, Calif.

FOREIGN PATENT DOCUMENTS

440318 7/1926 Fed. Rep. of Germany 272/114

[73] Assignee: Elliot Rudell, Lawndale, Calif.

Primary Examiner—Charles A. Rademaker
Attorney, Agent, or Firm—Michael D. Scott

[**] Term: 14 Years

[57] CLAIM

[21] Appl. No.: 75,848

The ornamental design for a pogo stick, substantially as shown and described.

[22] Filed: Sep. 14, 1979

DESCRIPTION

[51] Int. Cl. D21-02

[52] U.S. Cl. D21/67

[58] Field of Search D21/67-69;
272/114, 70, 115, 70.1, 70.3

FIG. 1 is a front elevational view of a pogo stick showing our new design;

FIG. 2 is a right side elevational view thereof the side opposite being substantially a mirror image;

FIG. 3 is a top plan view thereof;

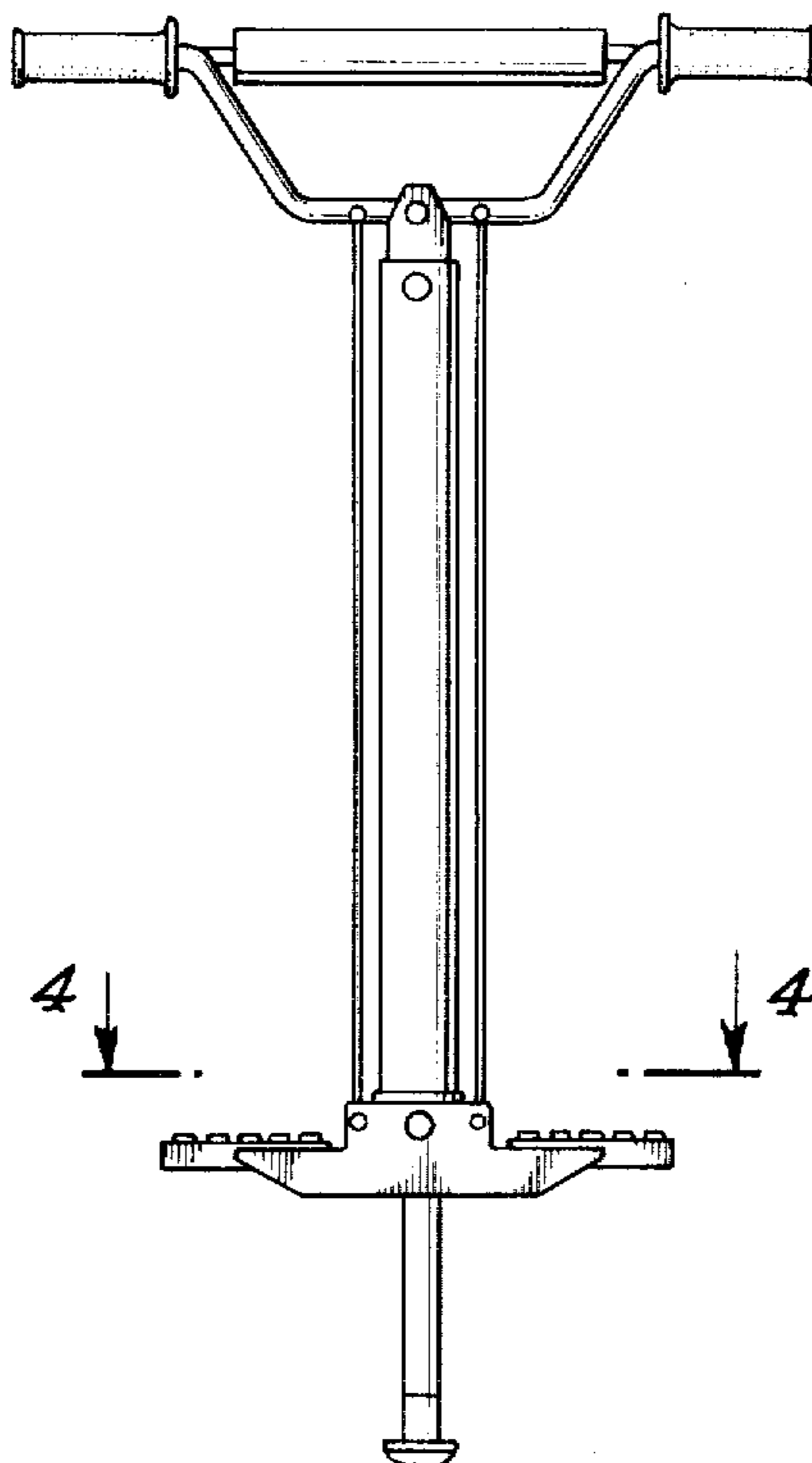
FIG. 4 is a top plan view thereof taken along line 4-4 in FIG. 3 shown partially in fragment;

FIG. 5 is a front elevational view thereof showing portions of the design in an alternate condition.

[56] References Cited

U.S. PATENT DOCUMENTS

2,783,997 3/1957 Gaffney et al. D21/67
2,871,016 1/1959 Rapaport 272/114



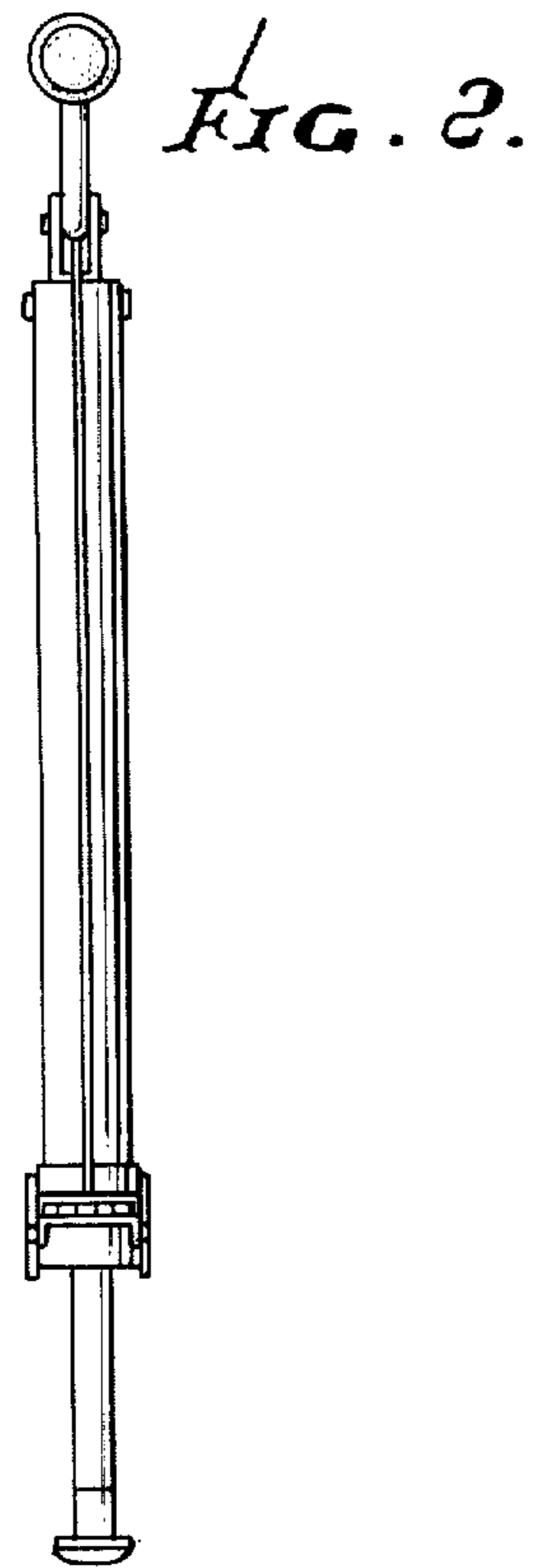
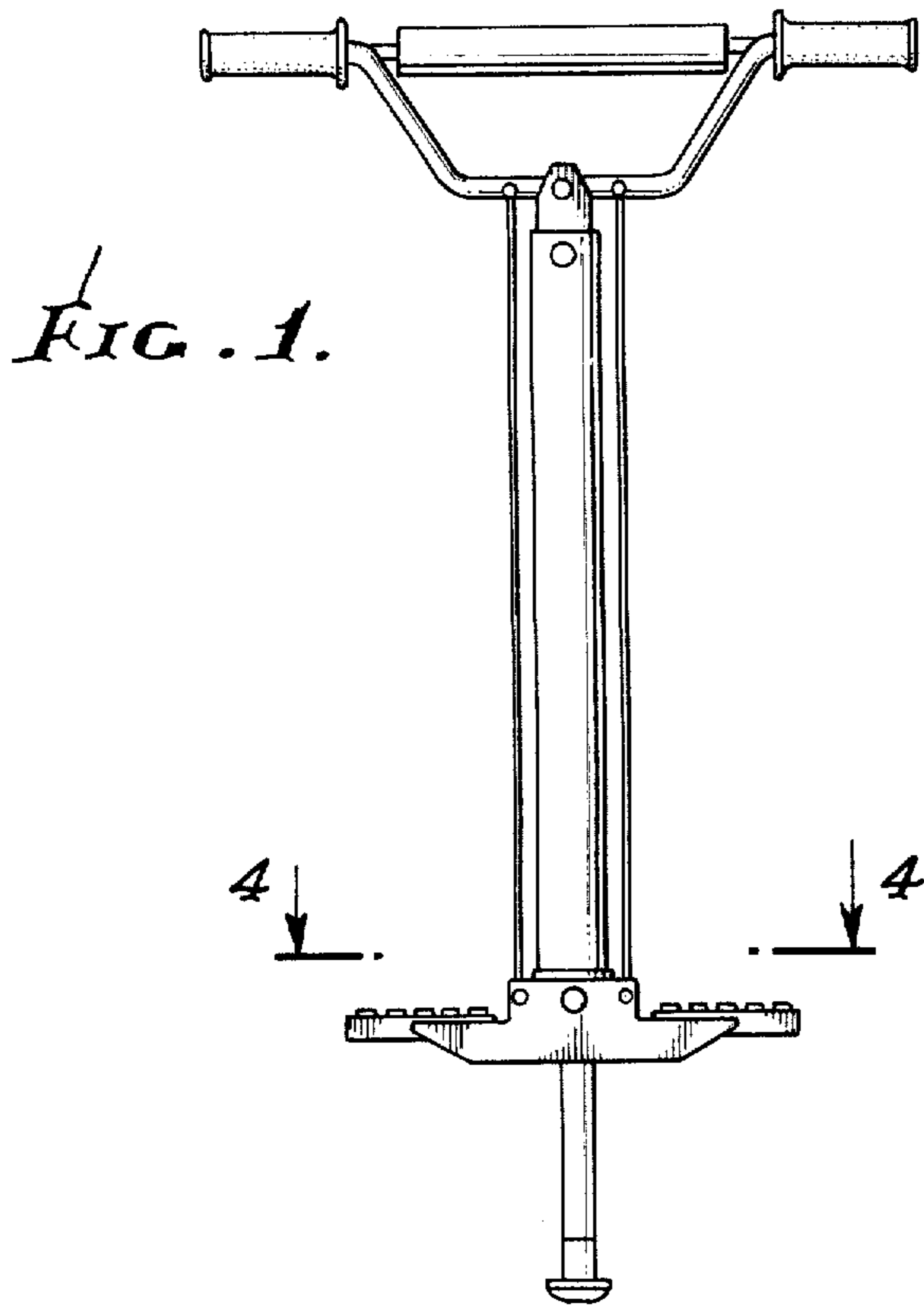


FIG. 3.

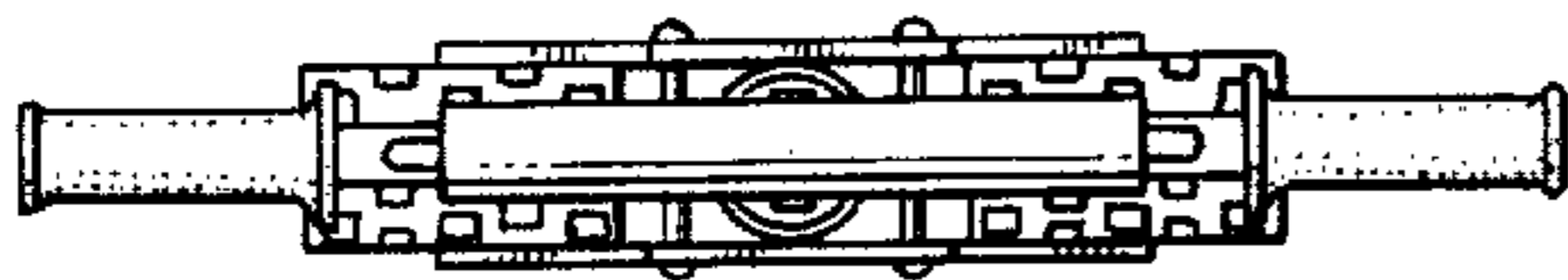


FIG. 4.

