

[54] **INTERLOCKING GAME PIECE**

[76] Inventor: **Yi Chen**, 23356 Batey Ave., Harbor City, Calif. 90710

[**] Term: **14 Years**

[21] Appl. No.: **113,519**

[22] Filed: **Jan. 21, 1980**

[51] Int. Cl. **D21-01**

[52] U.S. Cl. **D21/51; D21/108**

[58] Field of Search **D21/51, 108, 105, 103; 273/294, 288**

[56] **References Cited**

U.S. PATENT DOCUMENTS

D. 237,290 10/1975 Hein **D21/103**
3,547,444 12/1970 Williams **273/294**

3,773,327 11/1973 Kremer 273/294

Primary Examiner—Melvin B. Feifer
Attorney, Agent, or Firm—Smyth, Pavitt, Siegemund & Martella

[57] **CLAIM**

The ornamental design for an interlocking game piece, substantially as shown.

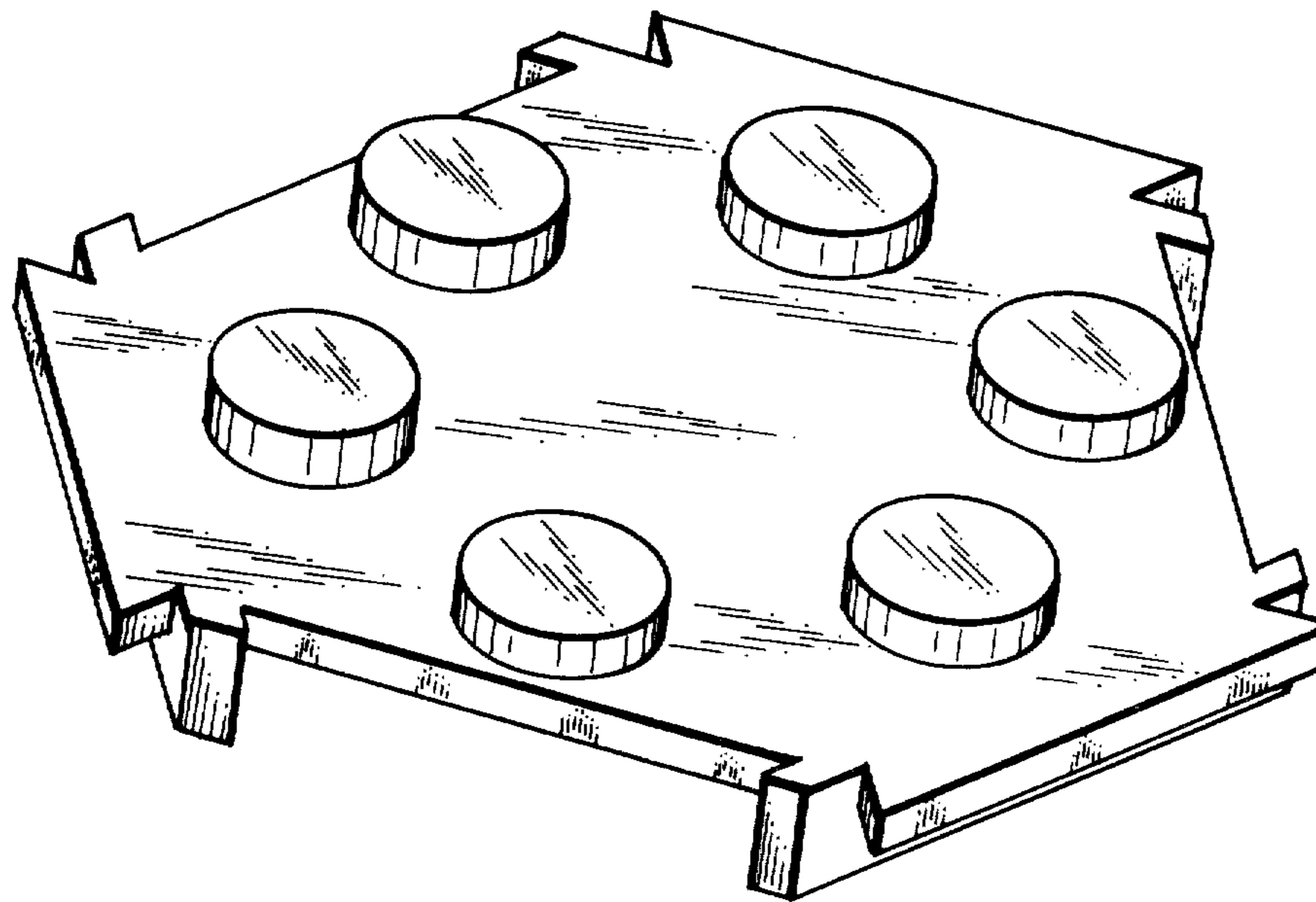
DESCRIPTION

FIG. 1 is a perspective view of the interlocking game piece showing the top and typical edges showing my new design;

FIG. 2 is a bottom plan view of the interlocking game piece;

FIG. 3 is an end elevation view of the interlocking game piece in the direction 3—3 indicated in FIG. 2; and,

FIG. 4 is an end elevation view of the interlocking game piece in the direction 4—4 of FIG. 2.



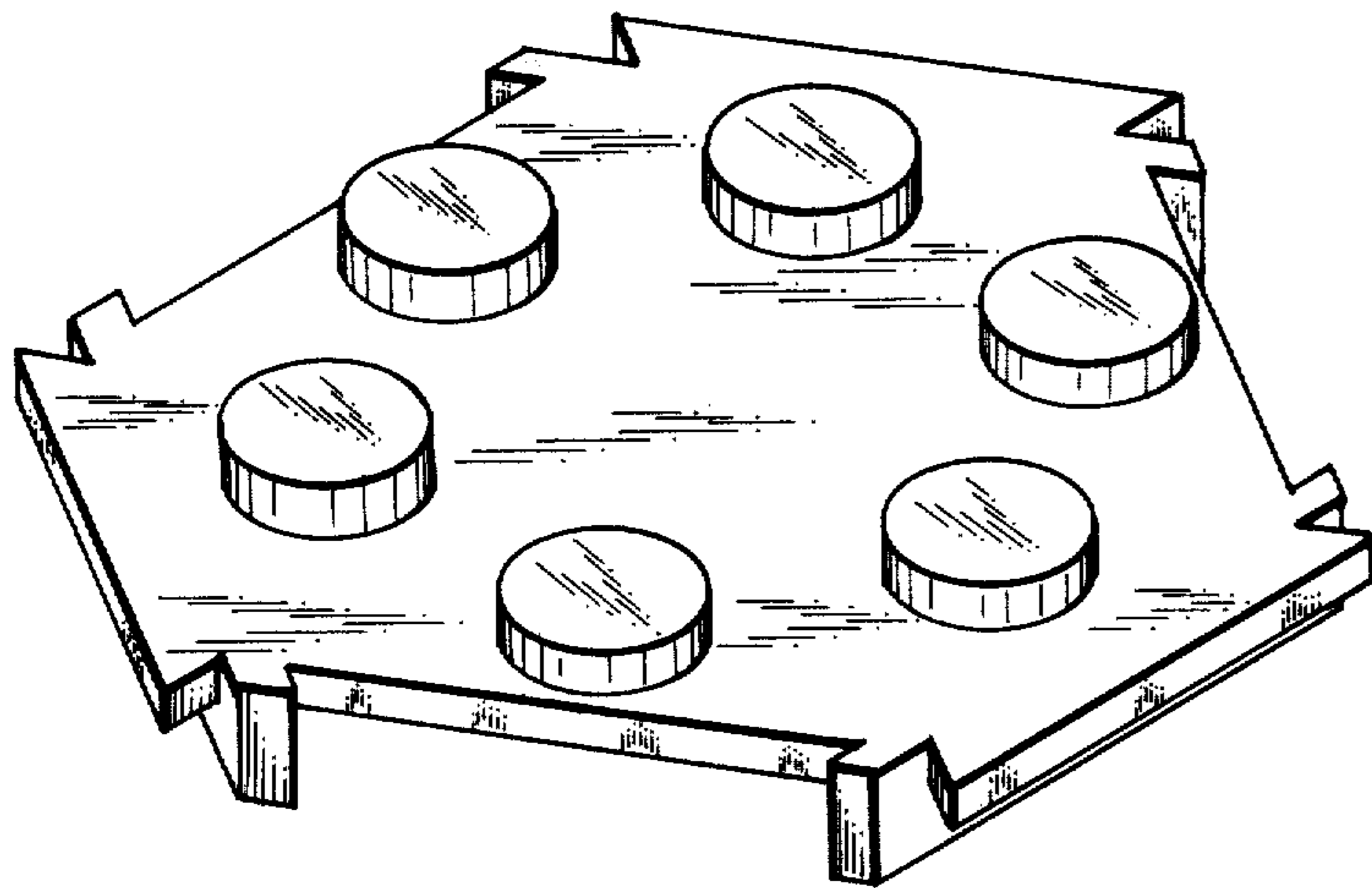


FIG. 1

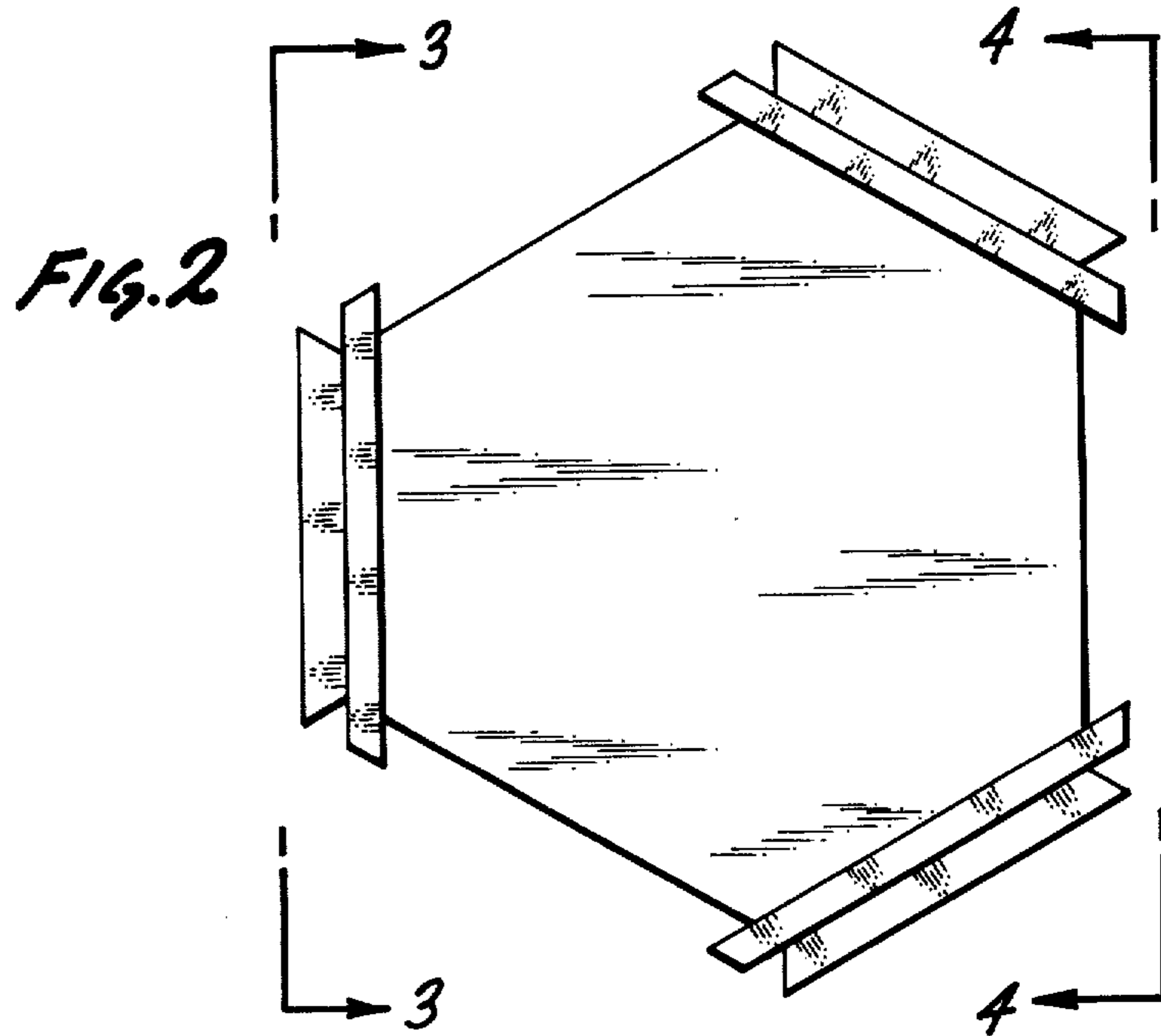


FIG. 2

FIG. 3



FIG. 4

