

[54] PHOTOGRAPHIC CAMERA OR SIMILAR ARTICLE

[75] Inventor: Diane B. Ainslie, Rochester, N.Y.

[73] Assignee: Eastman Kodak Company, Rochester, N.Y.

[\*\*] Term: 14 Years

[21] Appl. No.: 26,153

[22] Filed: Apr. 2, 1979

[51] Int. Cl. .... D16-01
[52] U.S. Cl. .... D16/6
[58] Field of Search .... D16/1-10, D16/40, 92; 354/83-93, 126, 129, 142, 145, 150-156, 162, 170, 174, 187-194, 202, 288

[56] References Cited

U.S. PATENT DOCUMENTS

Table with 4 columns: Patent No., Date, Inventor, and Class. Includes entries for Hansen (D. 244,686), Fukuda (D. 248,237), Baker (D. 254,791), and Baker (4,138,045).

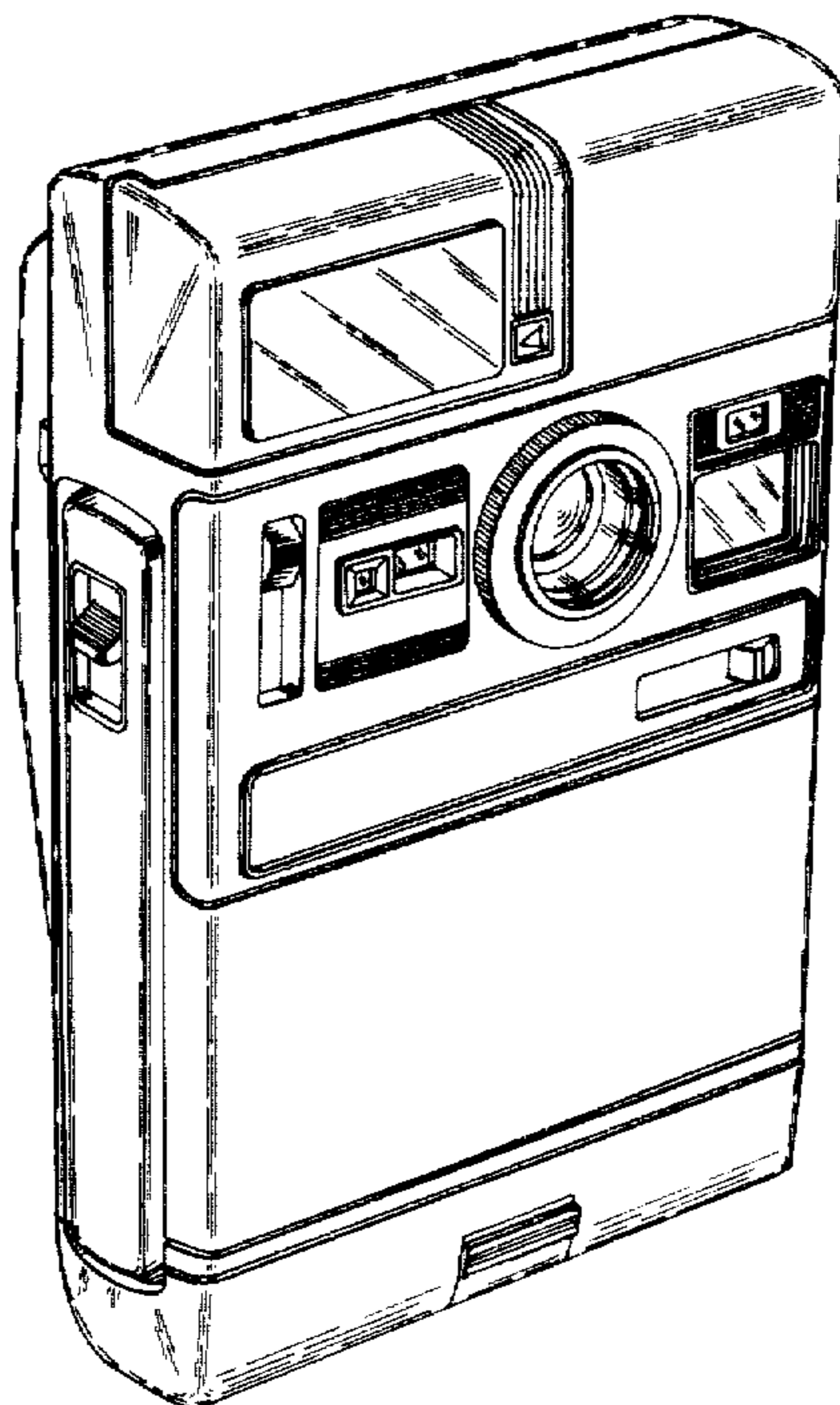
Primary Examiner—Peter M. Caun
Attorney, Agent, or Firm—N. Rushefsky

[57] CLAIM

The ornamental design for a photographic camera or similar article, as shown and described.

DESCRIPTION

FIG. 1 is a front perspective view of a first embodiment of a photographic camera or similar article, showing my new design;
FIG. 2 is a view similar to that of FIG. 1 but illustrating the photographic camera or similar article with a portion thereof shown in an extended position;
FIG. 3 is a left side elevational view of the embodiment shown in FIG. 1;
FIG. 4 is a front perspective view of a second embodiment of a photographic camera or similar article, showing my new design;
FIG. 5 is a view similar to that of FIG. 4 but illustrating the second embodiment with a portion thereof shown in an extended position;
FIG. 6 is a left side elevational view of the embodiment shown in FIG. 4;
FIG. 7 is a rear perspective view of the embodiments shown in FIGS. 1 and 4;
FIG. 8 is a rear perspective view of the embodiments shown in FIGS. 2 and 5;
FIG. 9 is a rear elevational view of the embodiments shown in FIGS. 1 and 4.



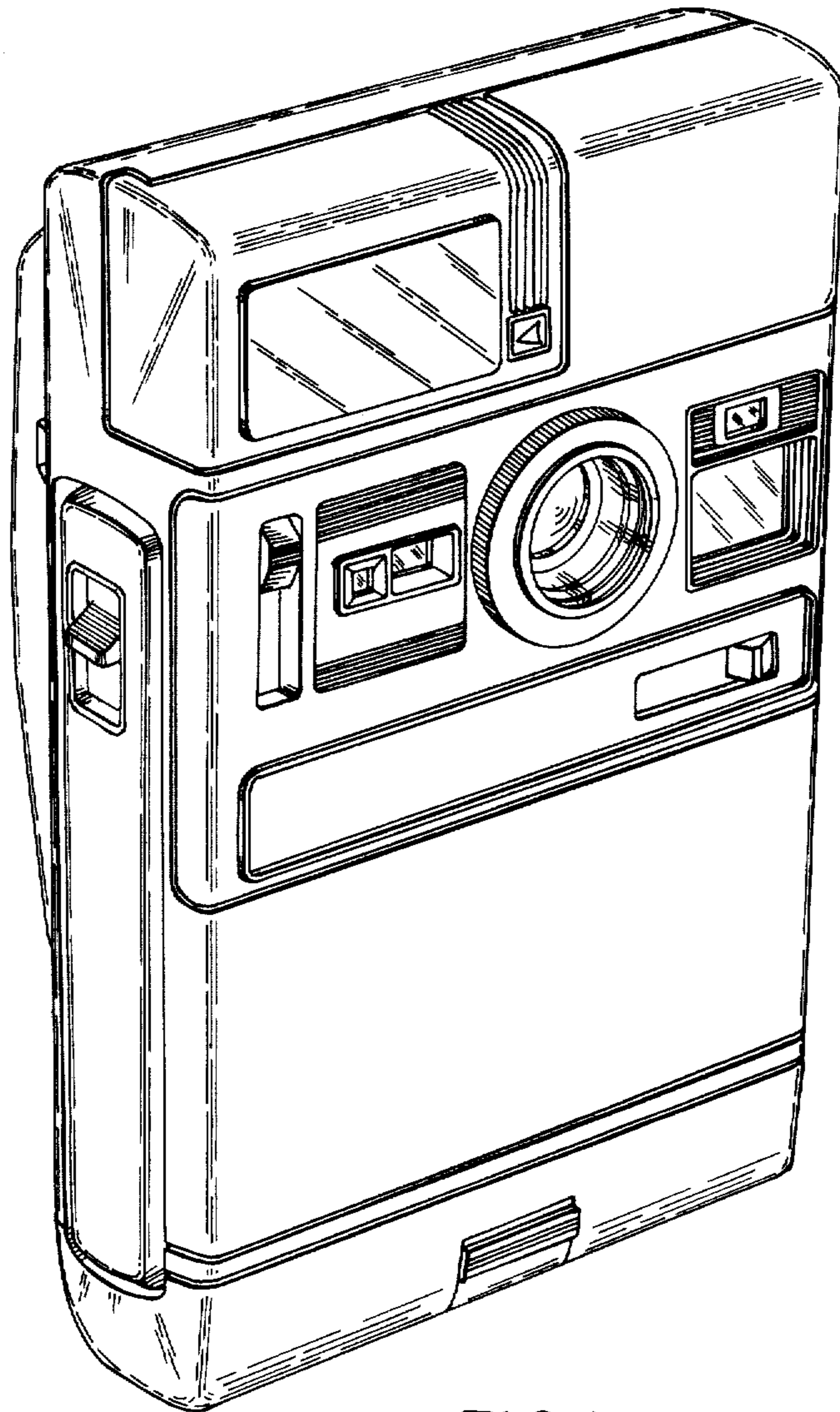


FIG. 1

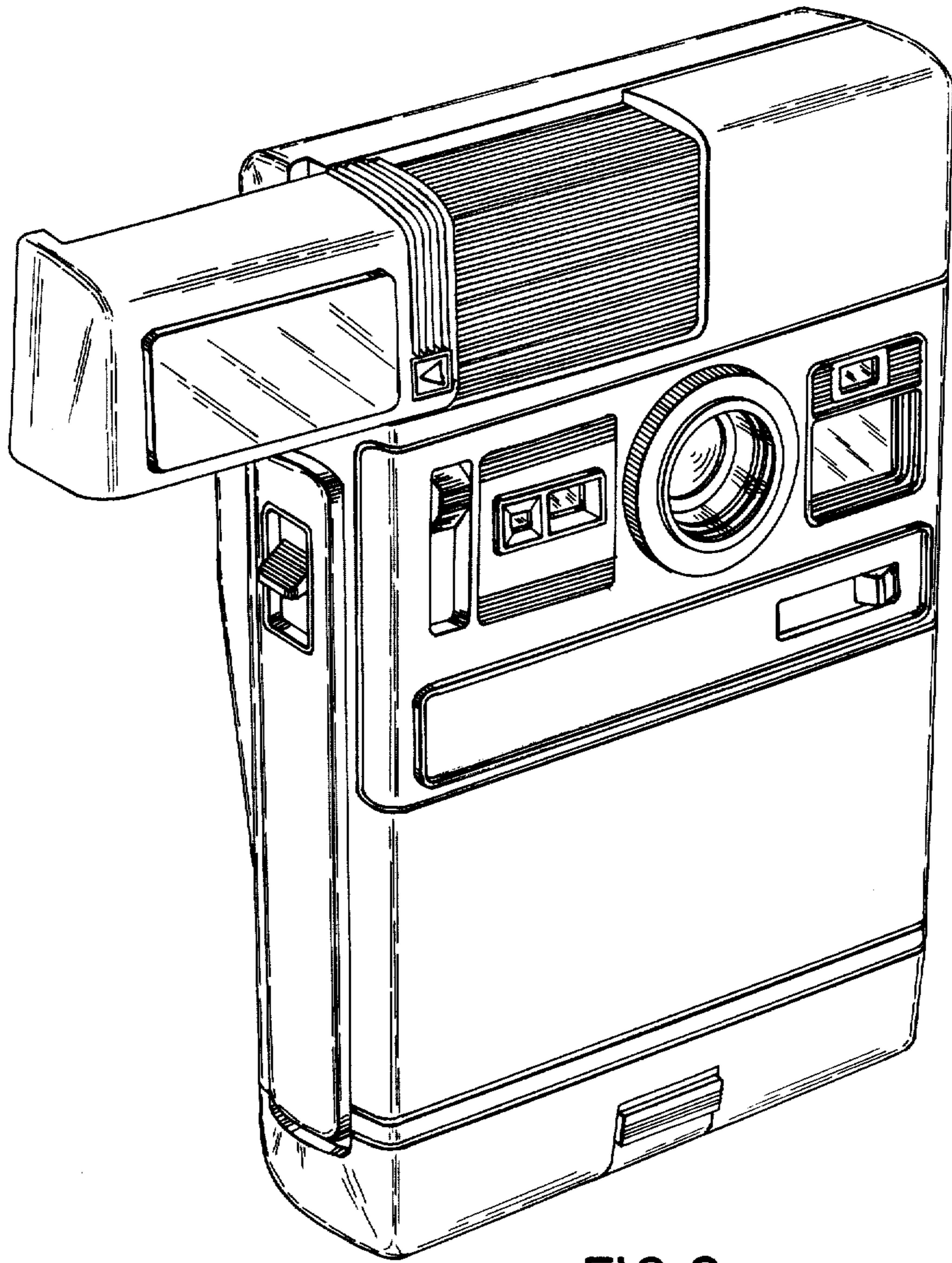


FIG. 2

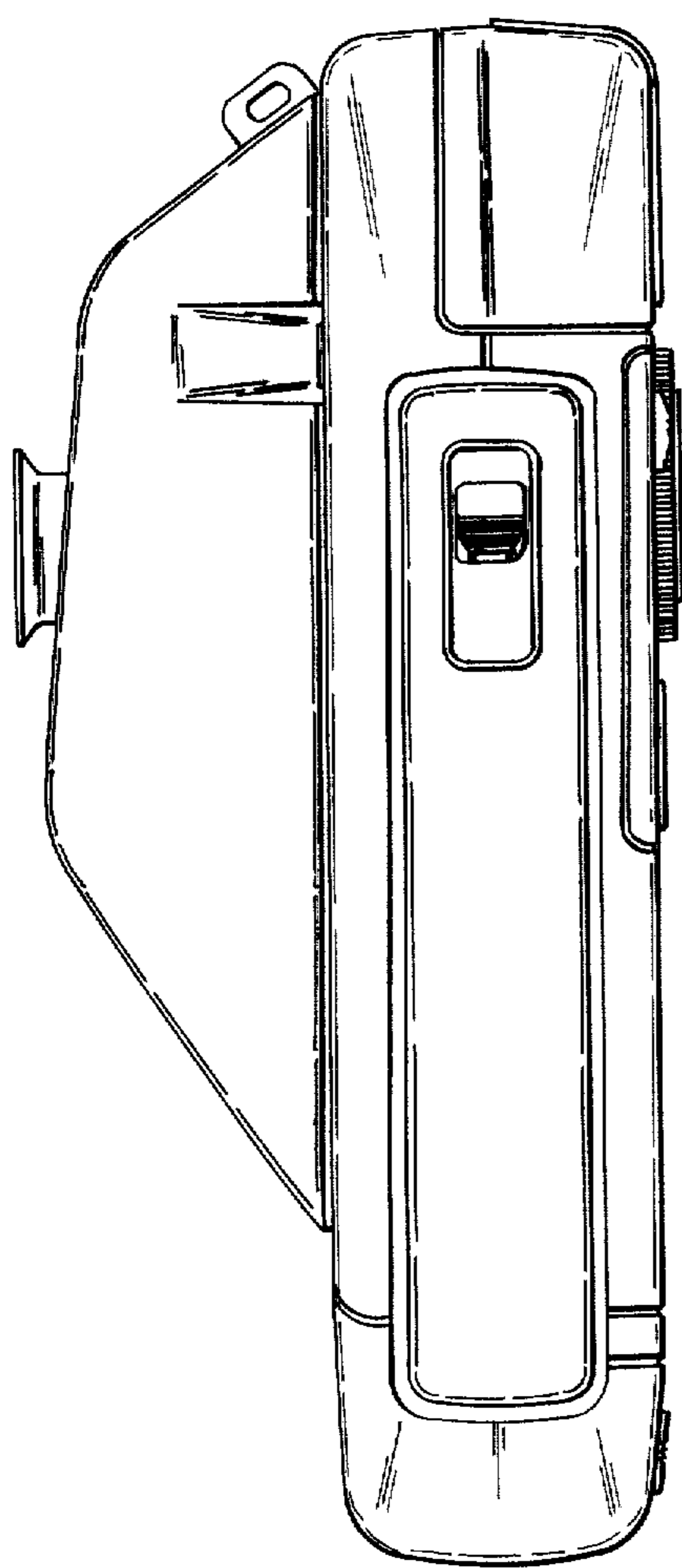


FIG. 3

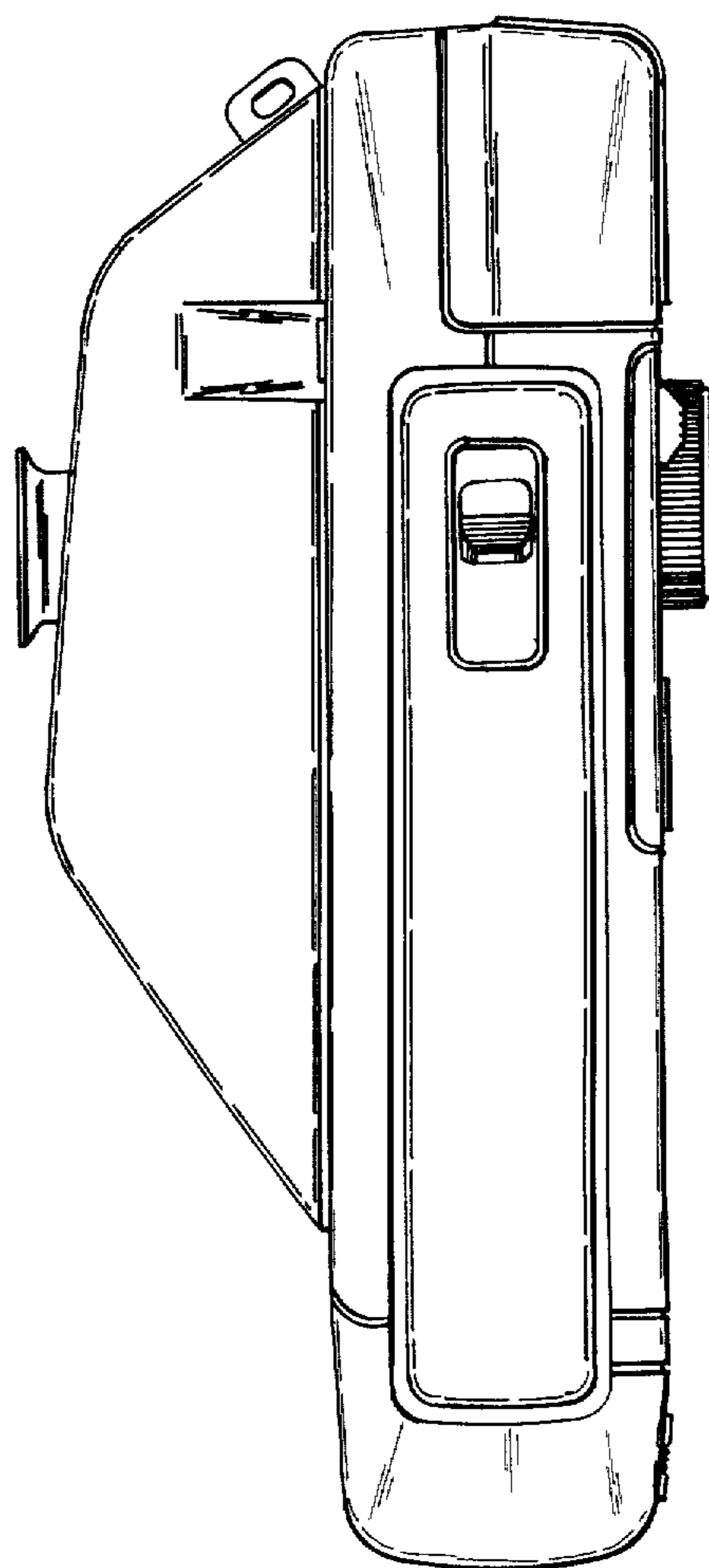


FIG. 6

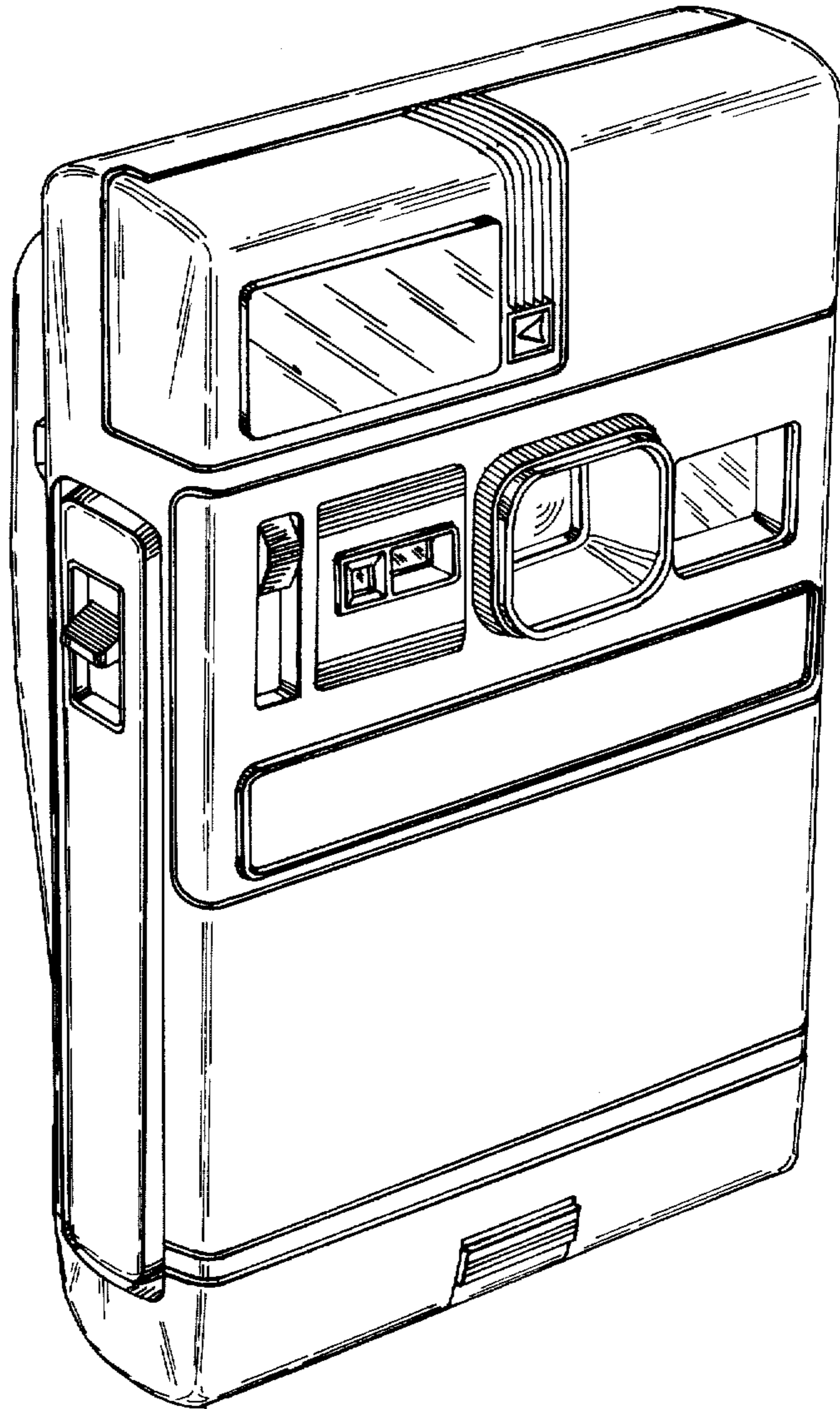


FIG. 4

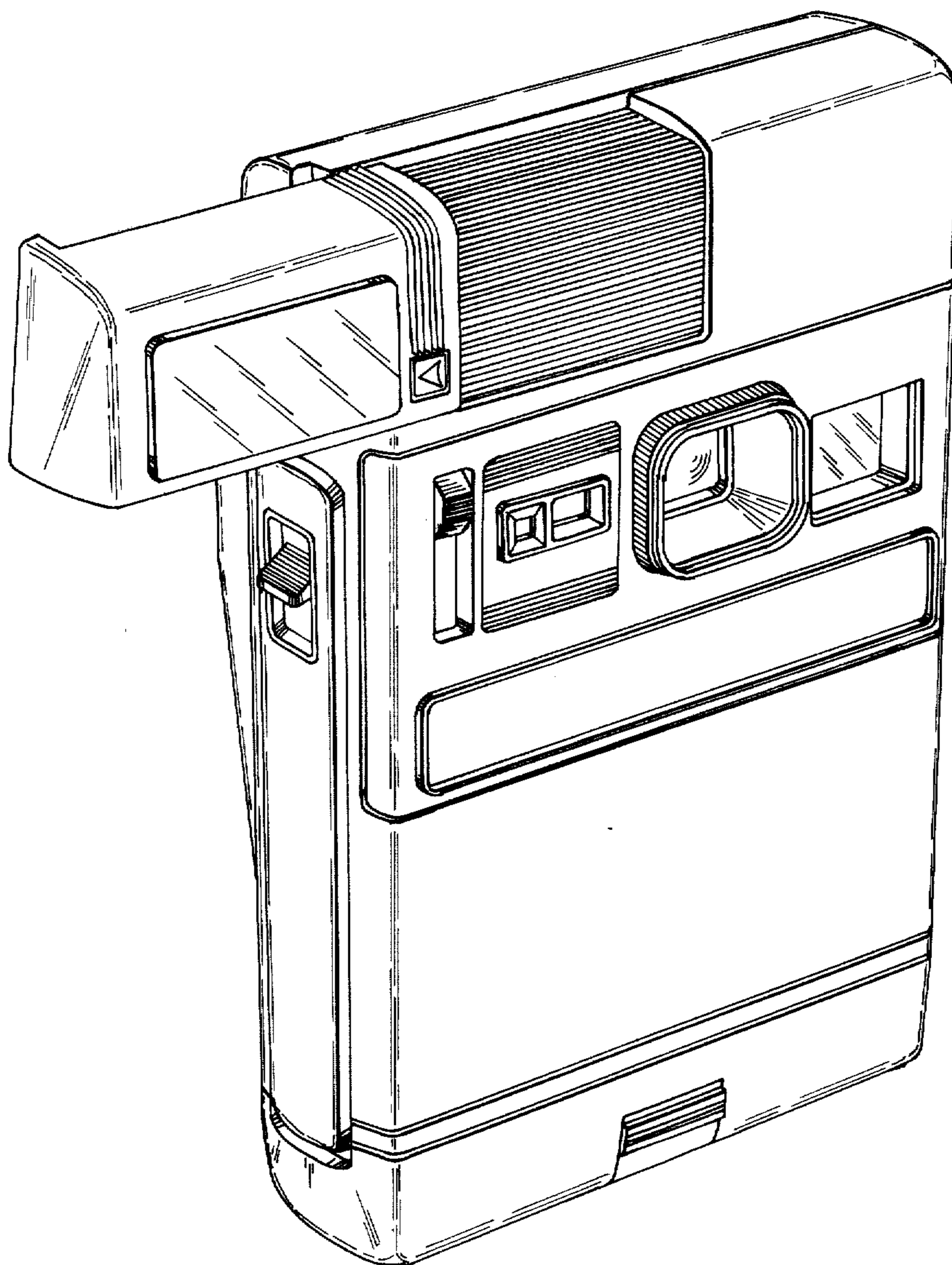


FIG. 5

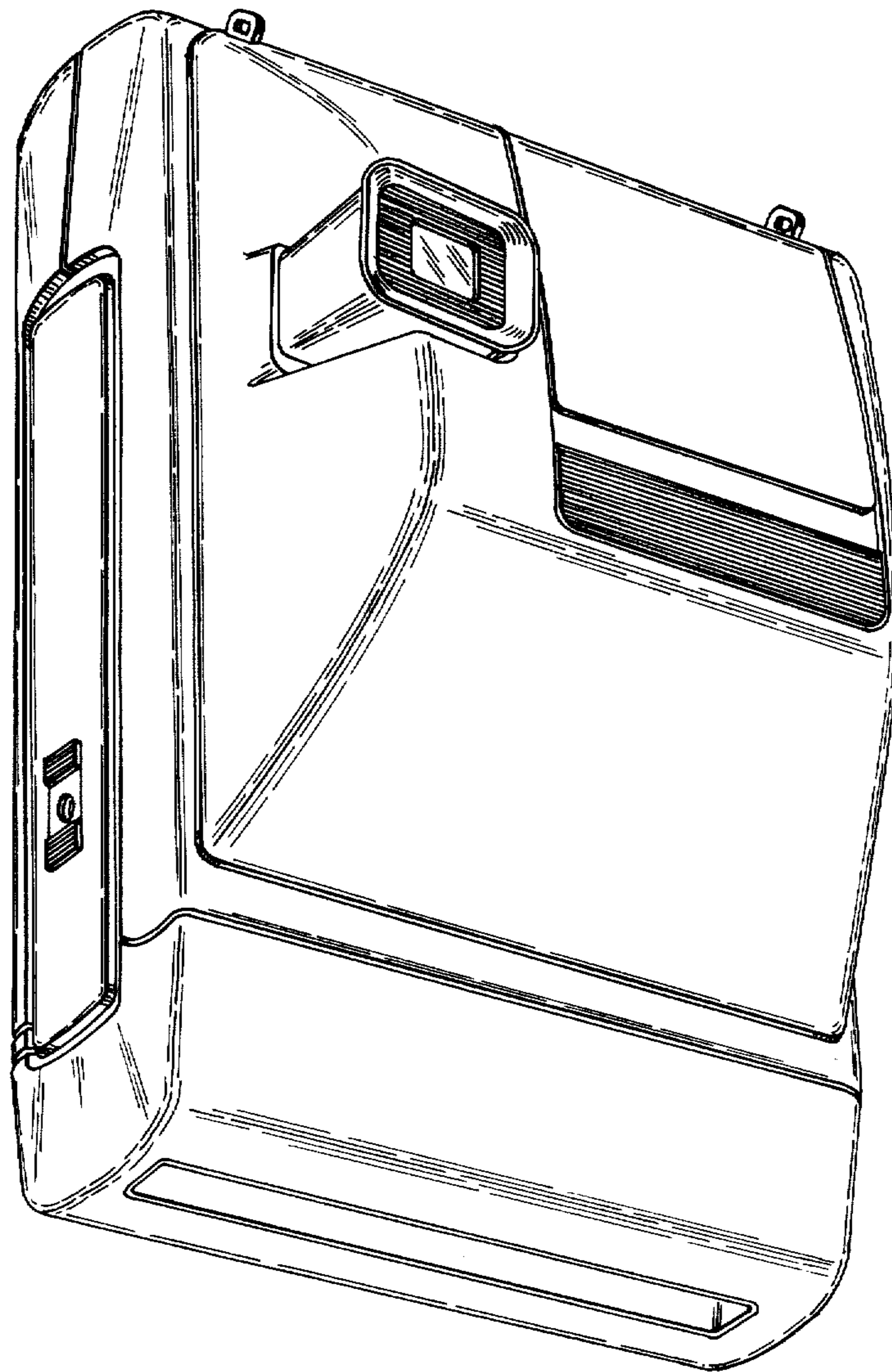


FIG. 7

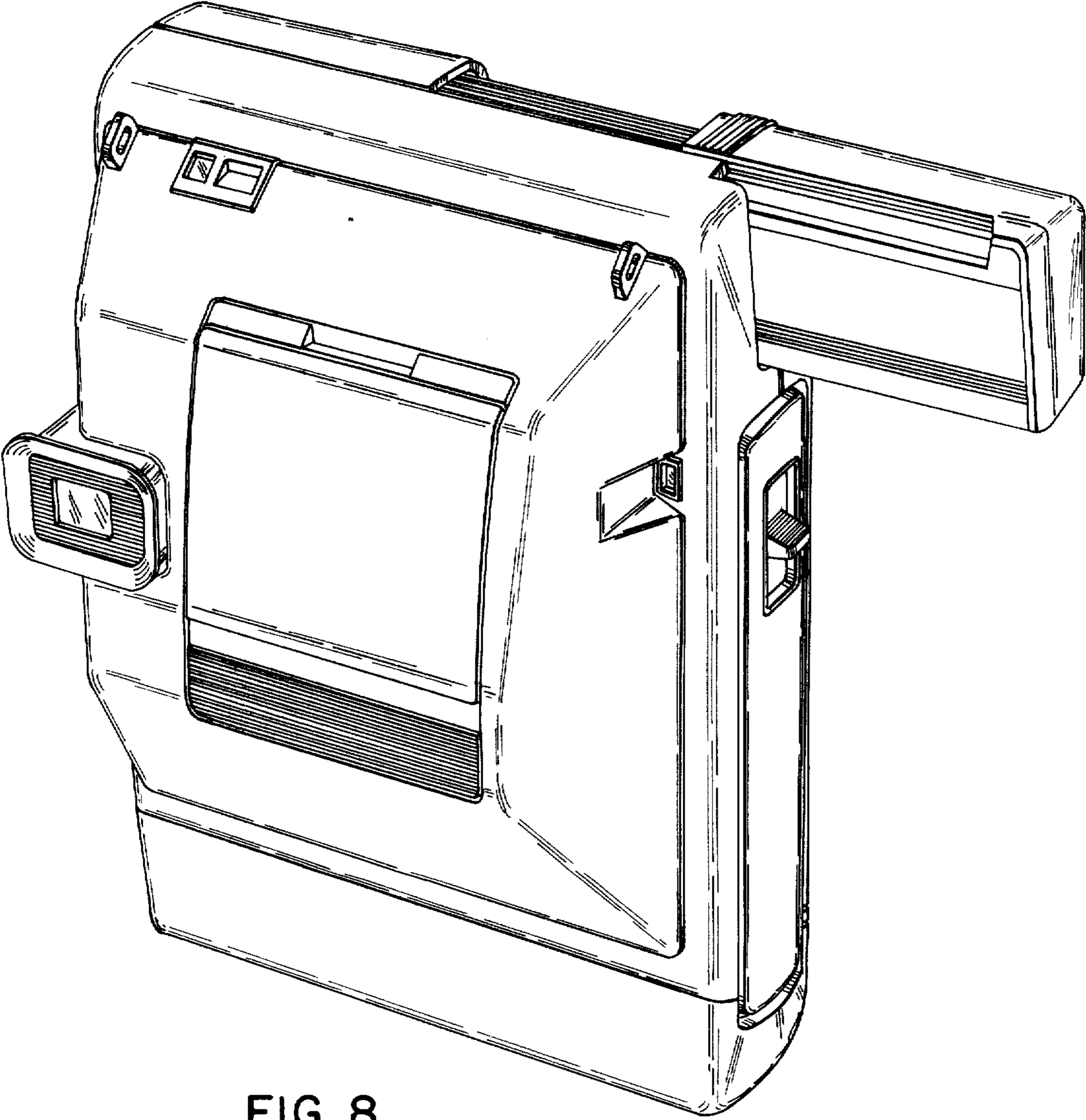


FIG. 8



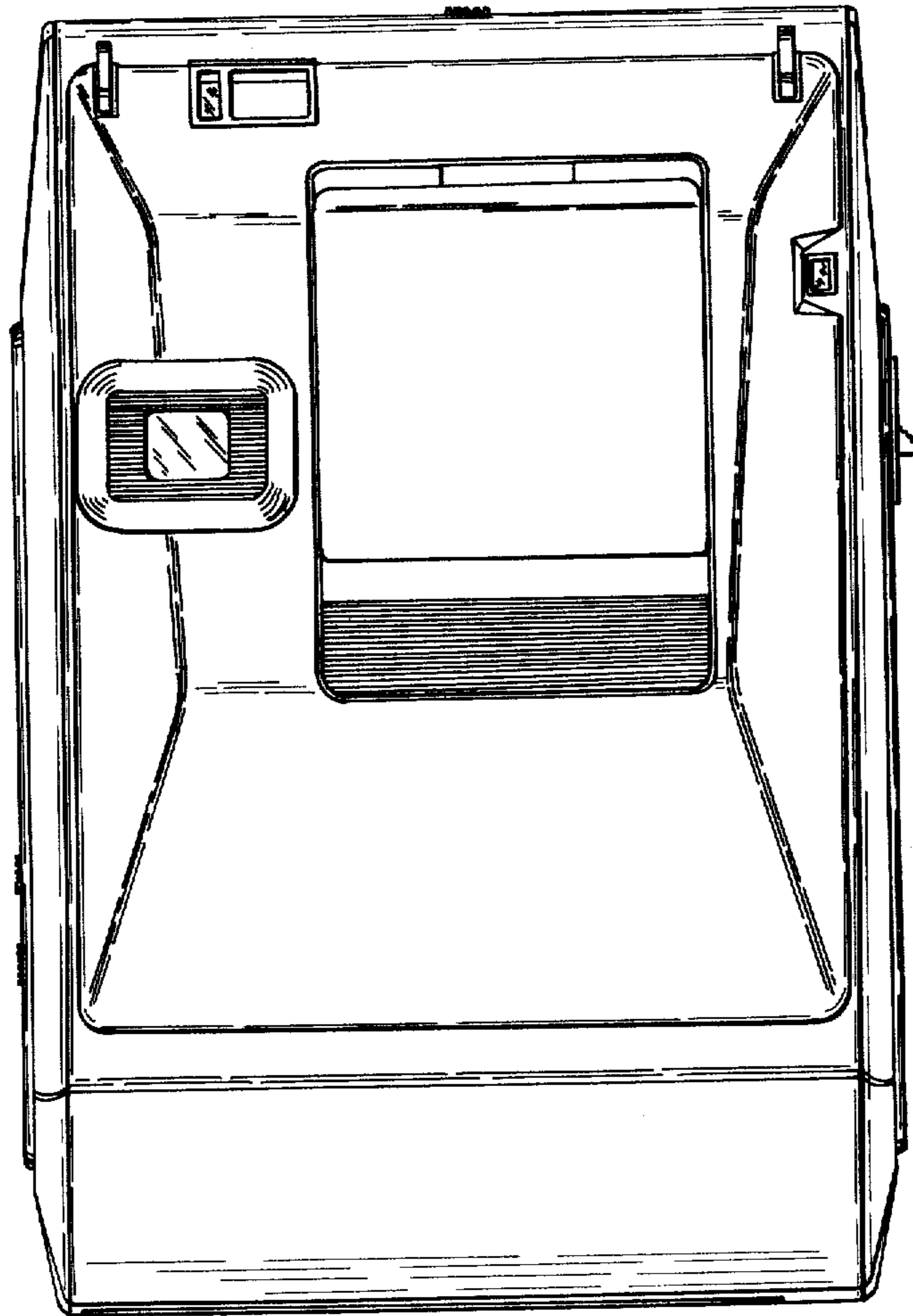


FIG. 9