

[54] **PRINTER**

[75] Inventor: **Masanori Hashimoto**, Tokyo, Japan

[73] Assignee: **Ricoh Company Ltd.**, Japan

[**] Term: **7 Years**

[21] Appl. No.: **103,225**

[22] Filed: **Dec. 13, 1979**

[30] **Foreign Application Priority Data**

Jun. 20, 1979 [JP] Japan 54-95689

[51] Int. Cl. **D14-02**

[52] U.S. Cl. **D14/111**

[58] Field of Search **D14/40-50;**
364/900; 400/62, 70, 71, 76

[56] **References Cited**

U.S. PATENT DOCUMENTS

D. 199,825 12/1964 Stevens et al. D14/45

OTHER PUBLICATIONS

Computer Design, 5-1978, p. 105-Printer.

Primary Examiner—Susan J. Lucas

Attorney, Agent, or Firm—McGlew and Tuttle

[57] **CLAIM**

The ornamental design for a printer, as shown and described.

DESCRIPTION

FIG. 1 is a left side front perspective view of a printer, showing my new design.

FIG. 2 is a front elevational view thereof on an enlarged scale.

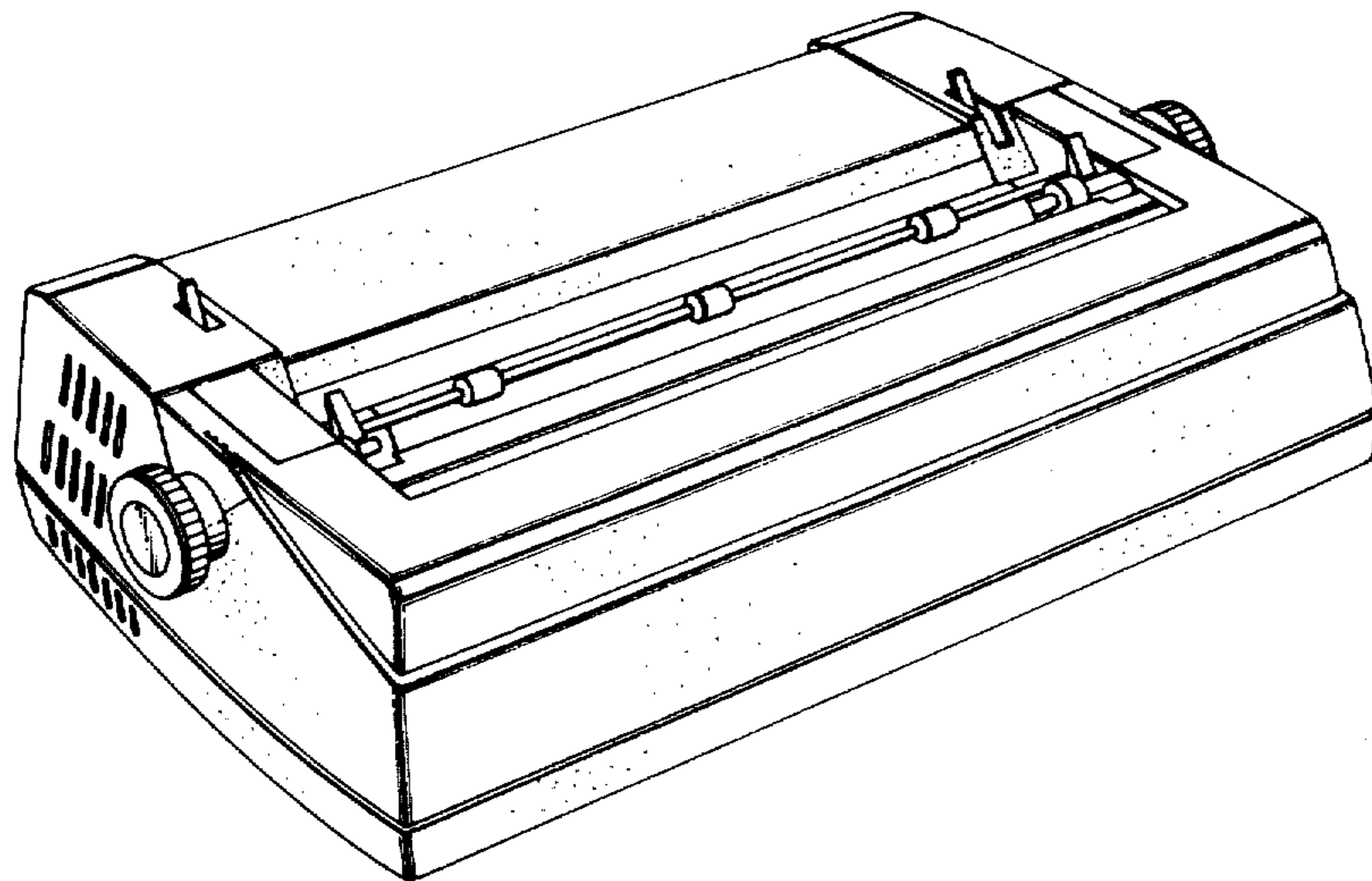
FIG. 3 is a right side elevational view thereof on an enlarged scale.

FIG. 4 is a left side elevational view thereof on an enlarged scale.

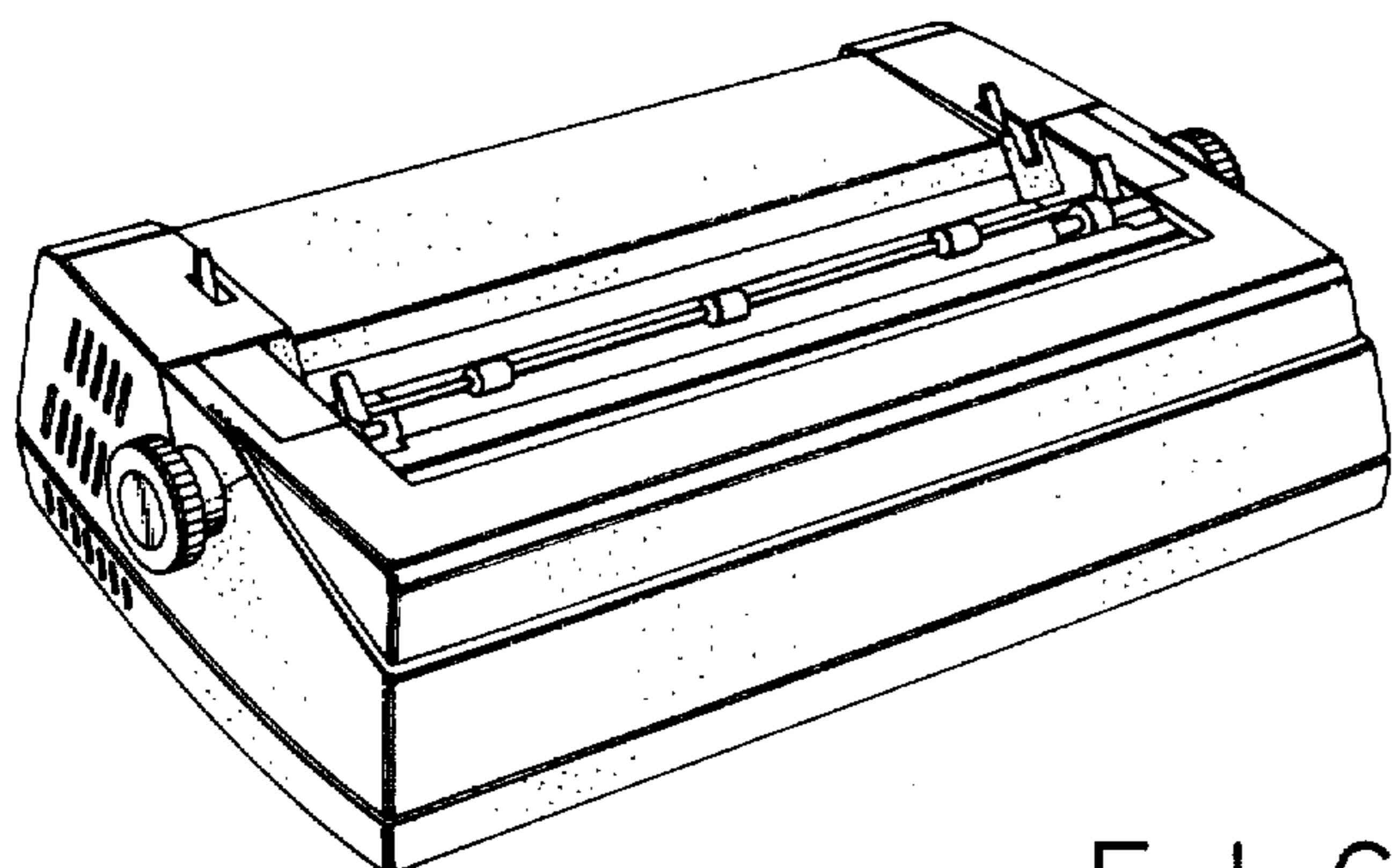
FIG. 5 is a top plan view thereof on an enlarged scale.

FIG. 6 is a rear elevational view thereof on an enlarged scale.

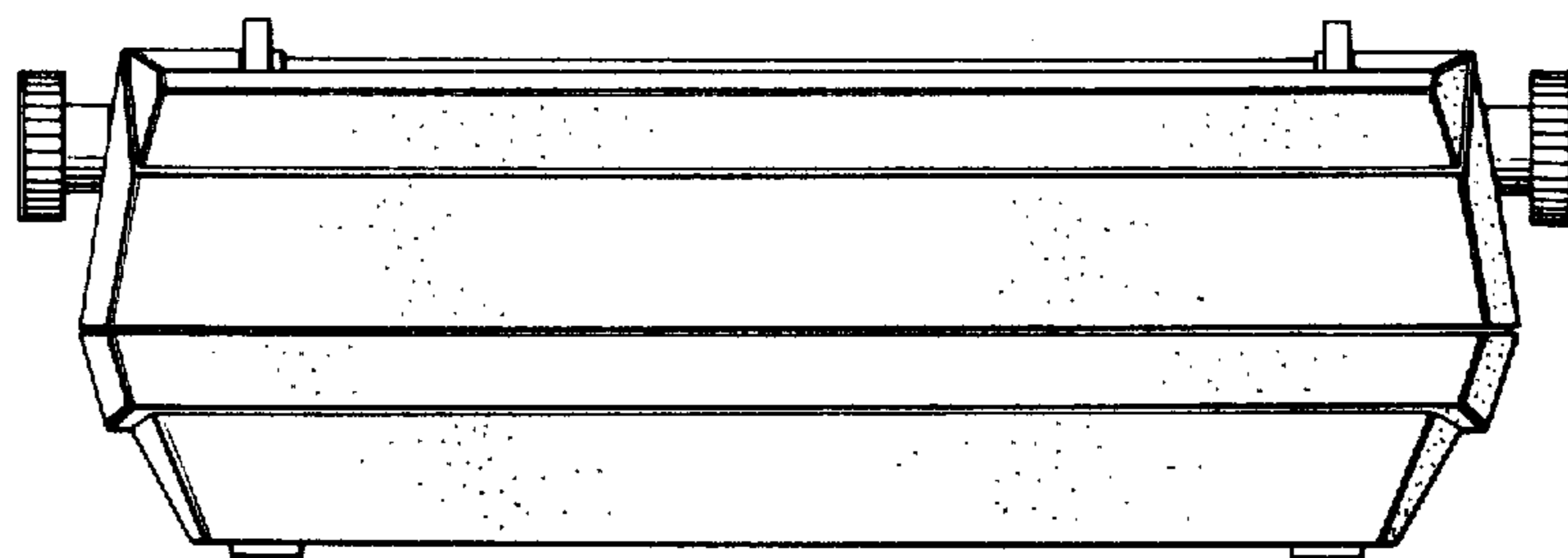
FIG. 7 is a bottom plan view thereof on an enlarged scale.



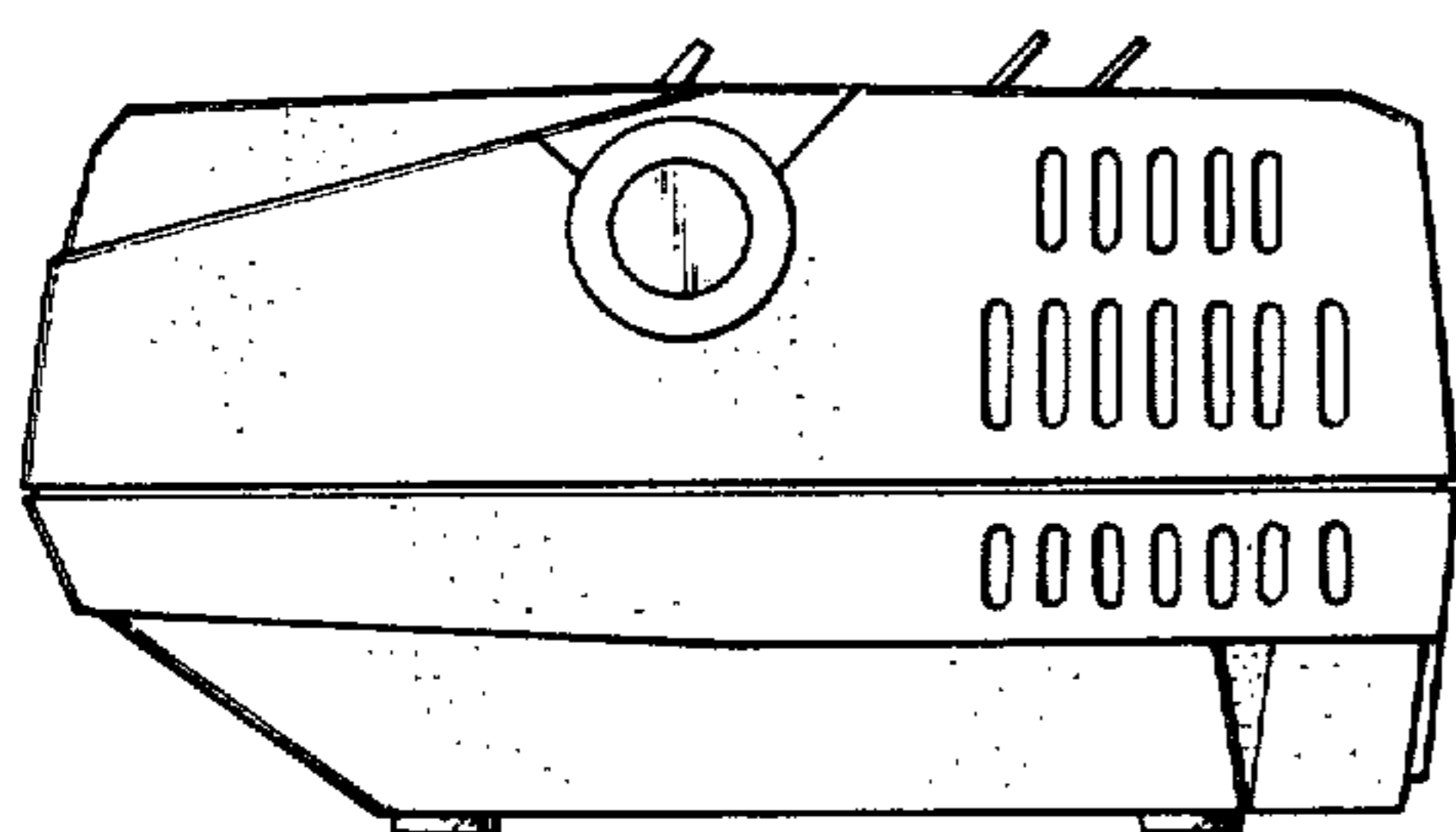
F I G . 1



F I G . 2



F I G . 3



F I G . 4

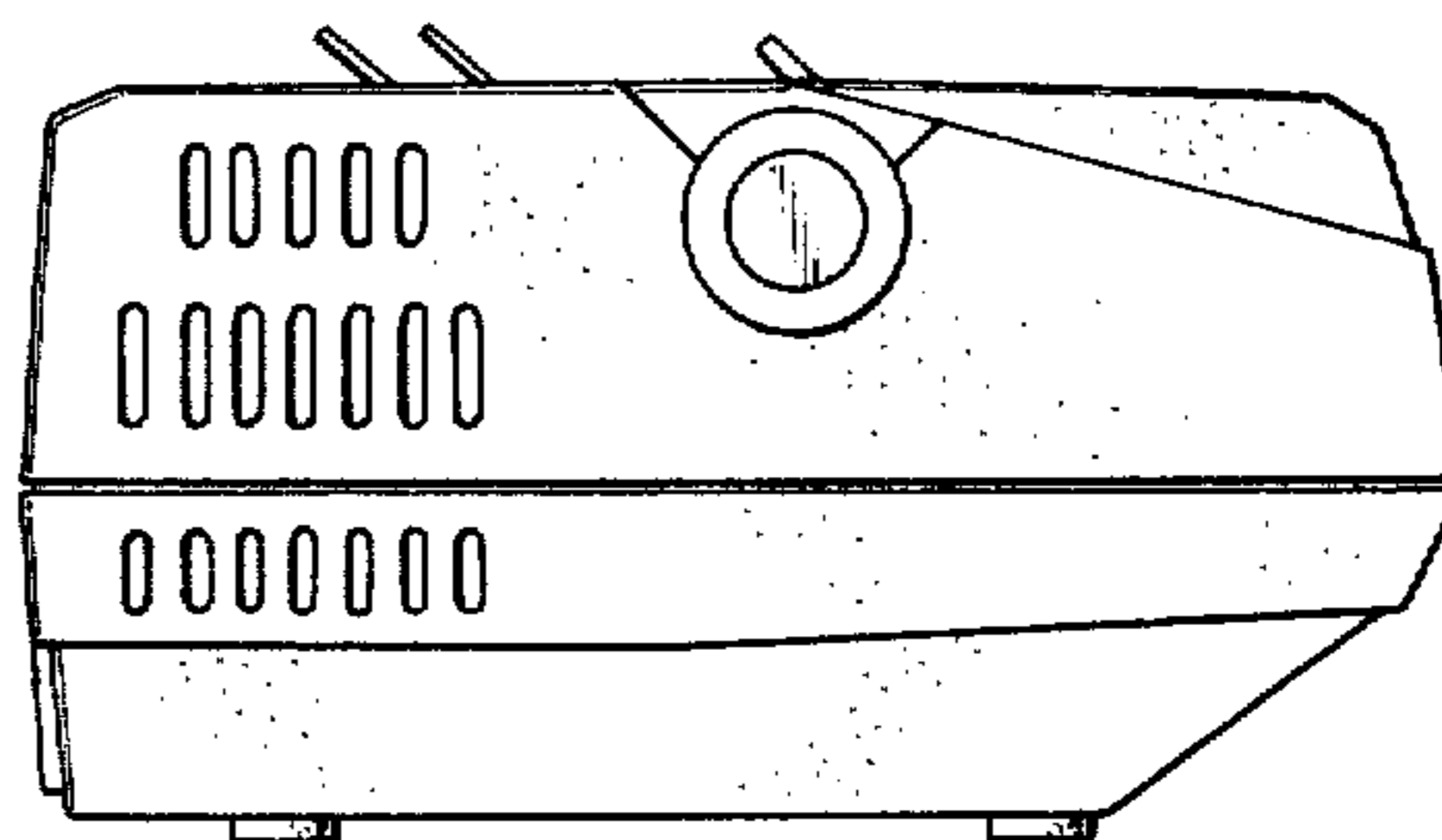


FIG. 5

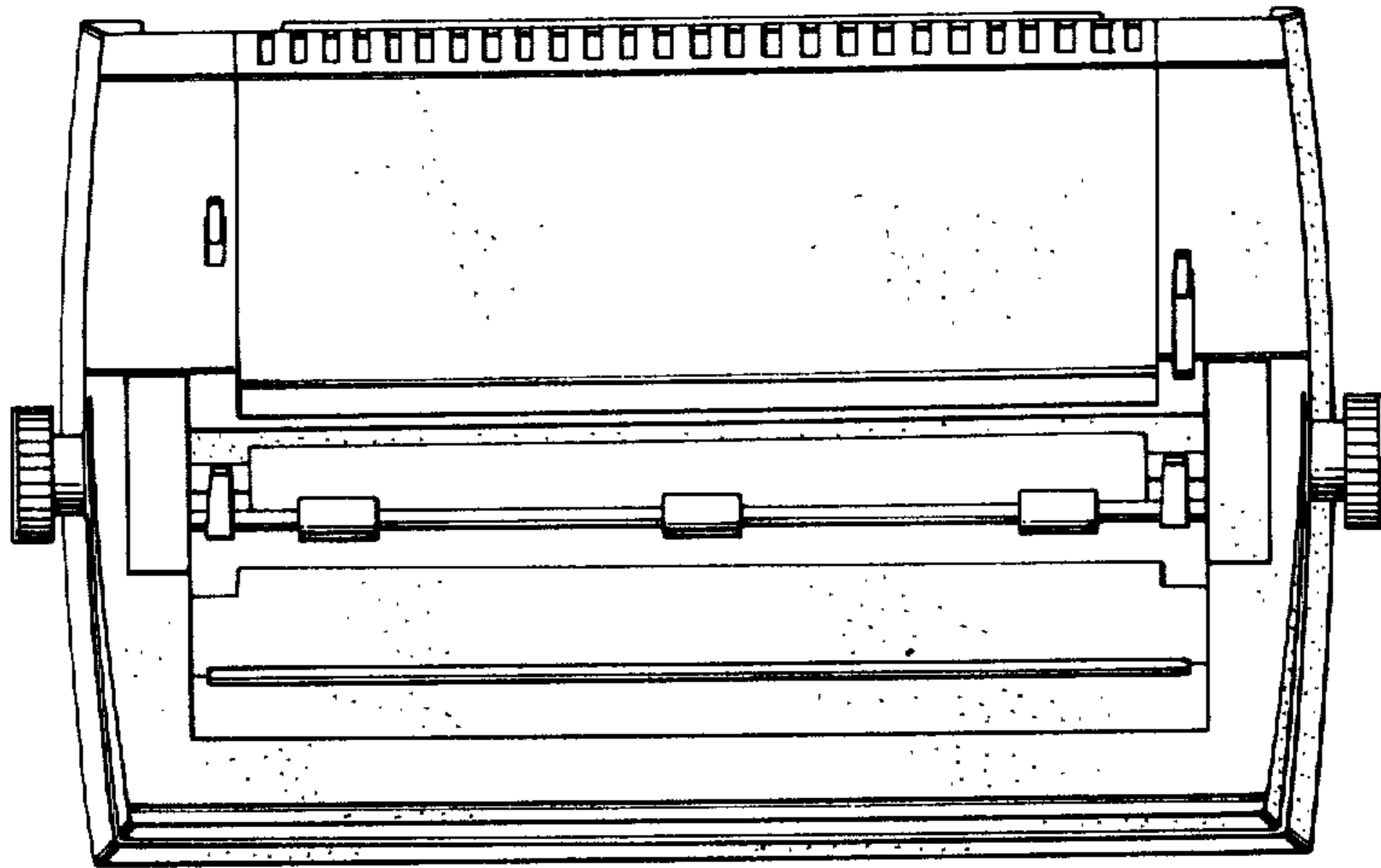


FIG. 6

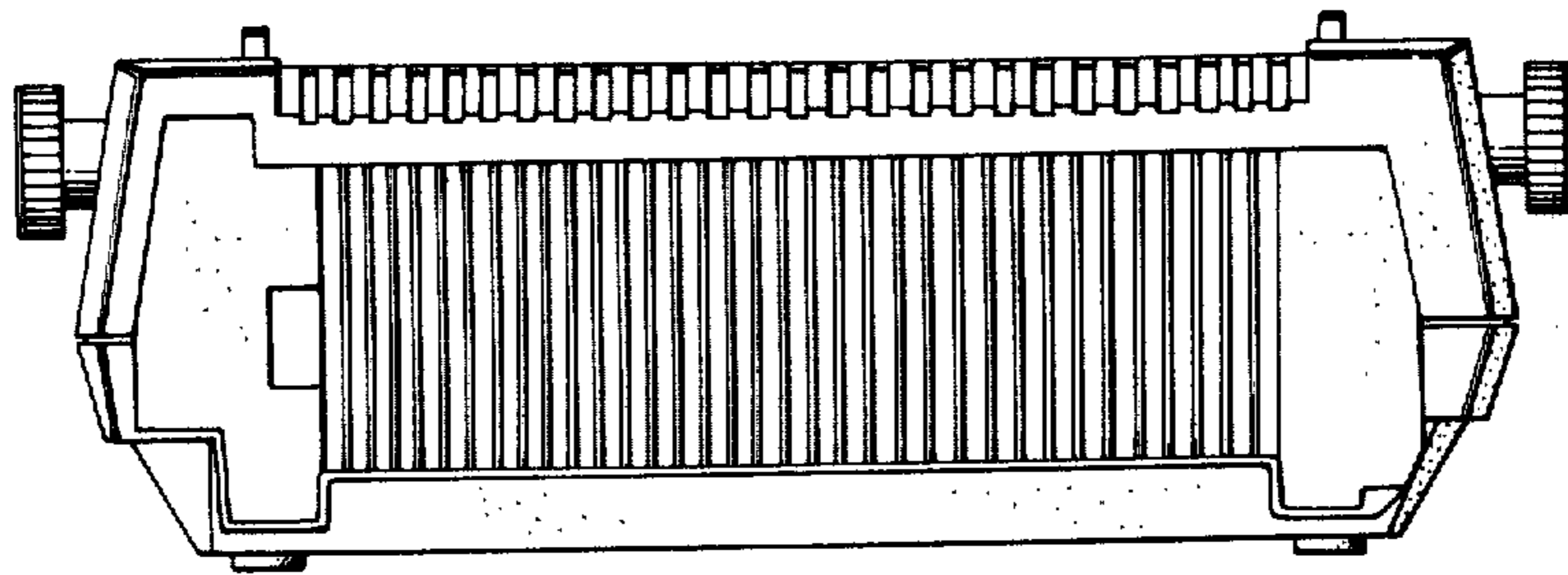


FIG. 7

