

[54] STONE GUARD FOR AUTOMOBILE FENDER

[76] Inventor: Donald M. Durben, Rte. 3, Fond du Lac, Wis. 54935

[**] Term: 14 Years

[21] Appl. No.: 35,778

[22] Filed: May 3, 1979

[51] Int. Cl. D12-16

[52] U.S. Cl. D12/190

[58] Field of Search D12/190; 280/153 B, 280/153 A, 153 R, 770

[56] References Cited

U.S. PATENT DOCUMENTS

D. 253,284 10/1979 Lauer D12/190
2,367,824 1/1945 King 280/153 B

Primary Examiner—James M. Gandy
Attorney, Agent, or Firm—Andrus, Scales, Starke & Sawall

[57] CLAIM

The ornamental design for a stone guard for an automobile fender, substantially as shown and described.

DESCRIPTION

FIG. 1 is a front elevational view of a stone guard showing my new design as associated with the rear fender of an automobile with the automobile shown in broken lines for illustrative purposes only;

FIG. 2 is an enlarged right side elevational view thereof;

FIG. 3 is an enlarged rear elevational view thereof;

FIG. 4 is an enlarged left side elevational view thereof;

FIG. 5 is an enlarged top plan view thereof;

FIG. 6 is an enlarged bottom plan view thereof; and

FIG. 7 is a sectional view thereof taken along line 7—7 in FIG. 3.

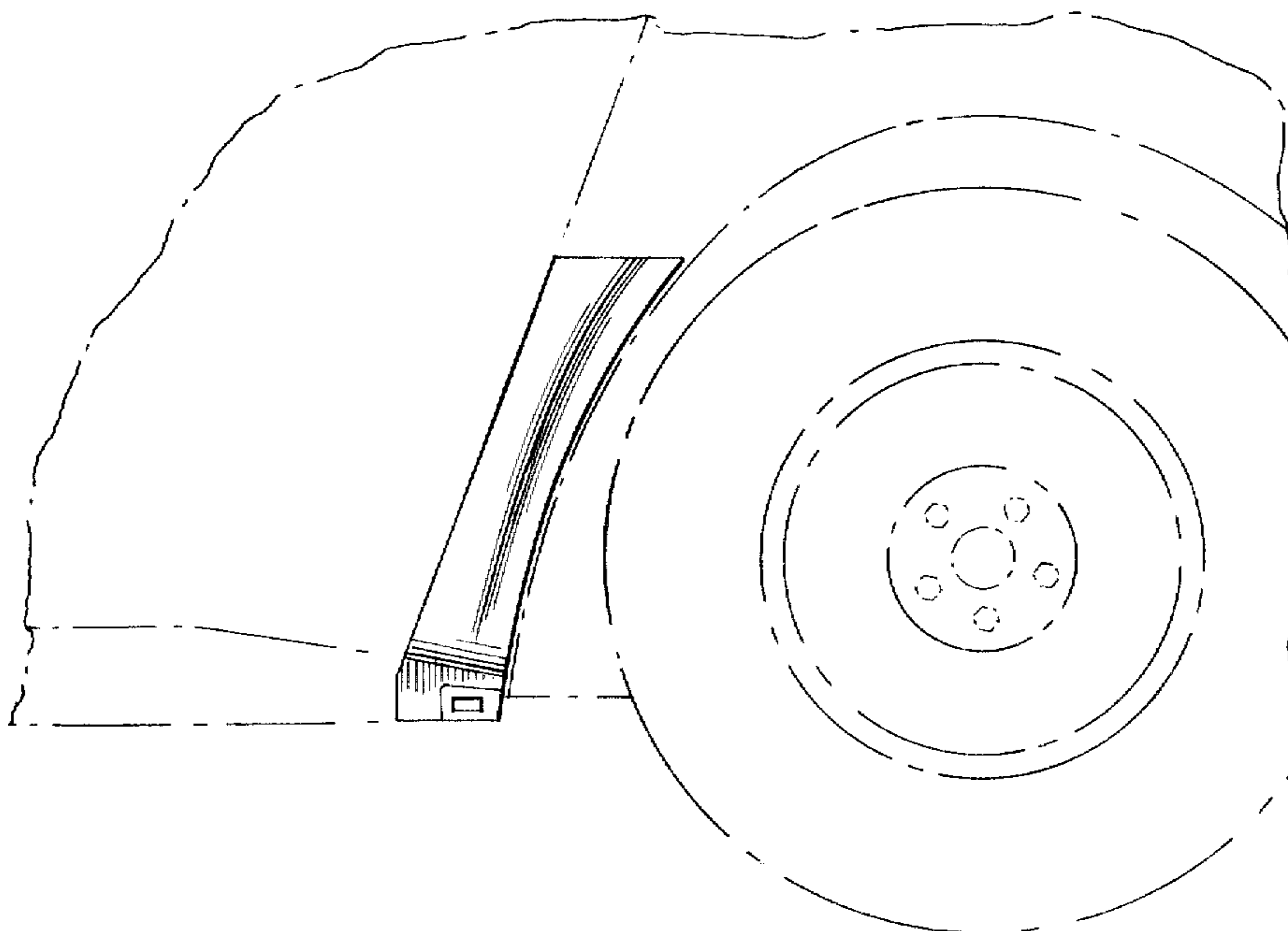


Fig. 1

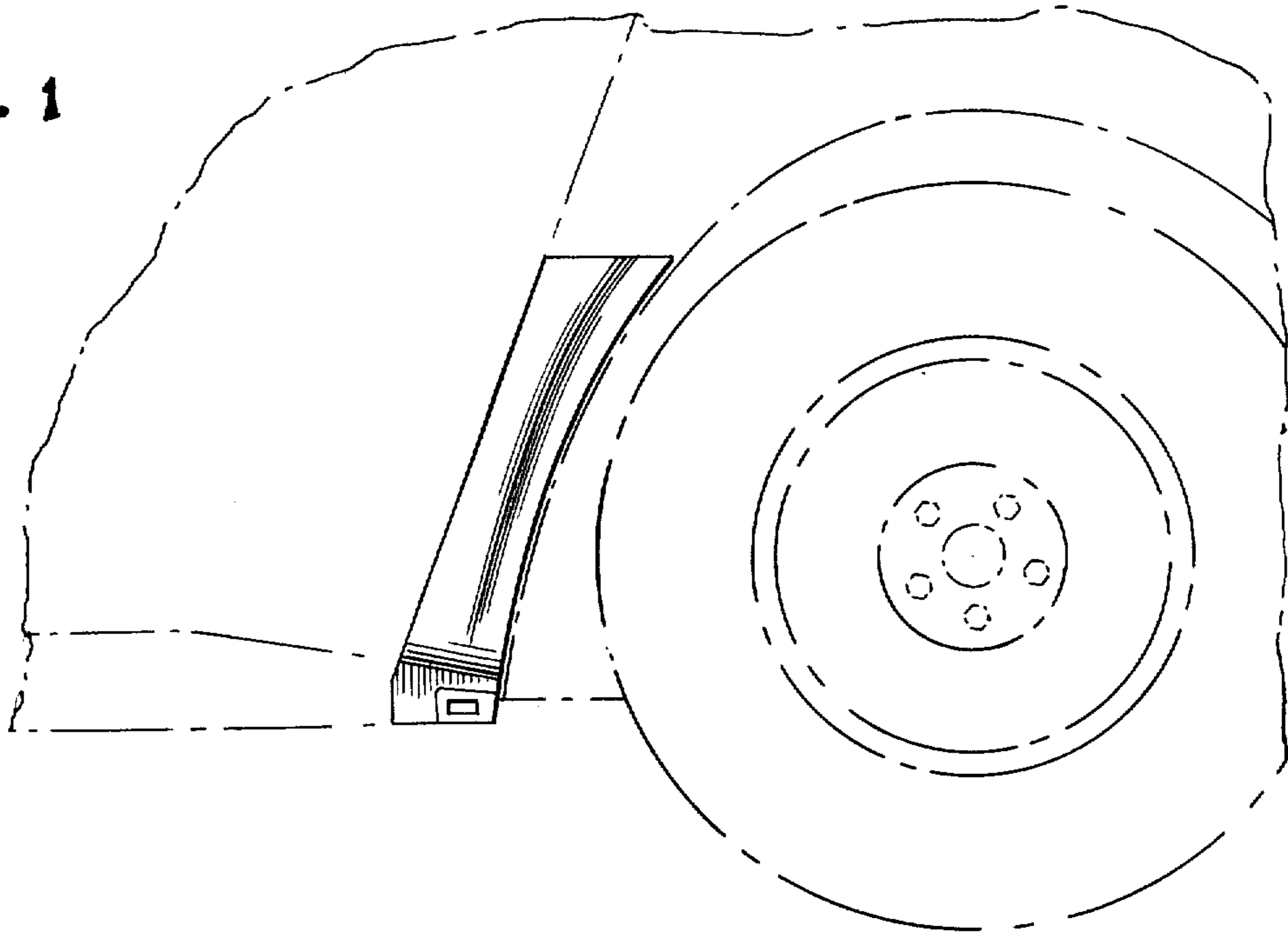


Fig. 5

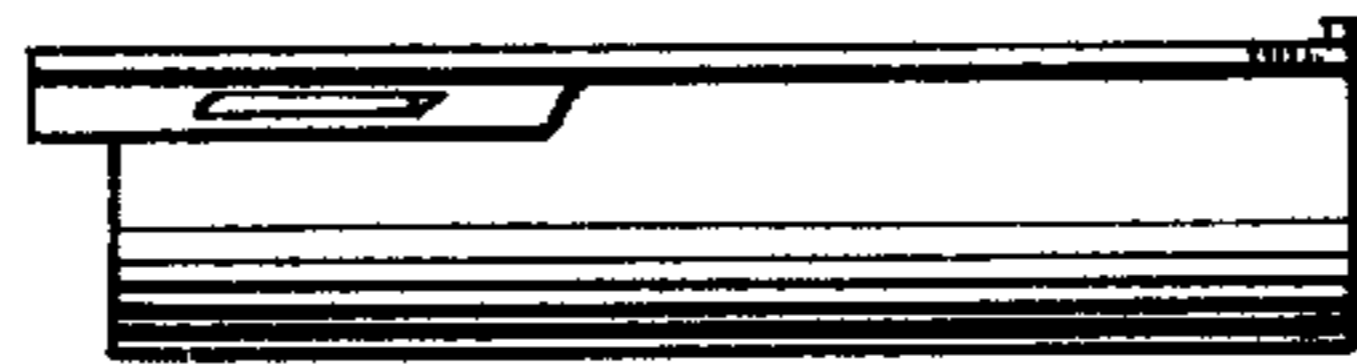


Fig. 6



Fig. 7



Fig. 2

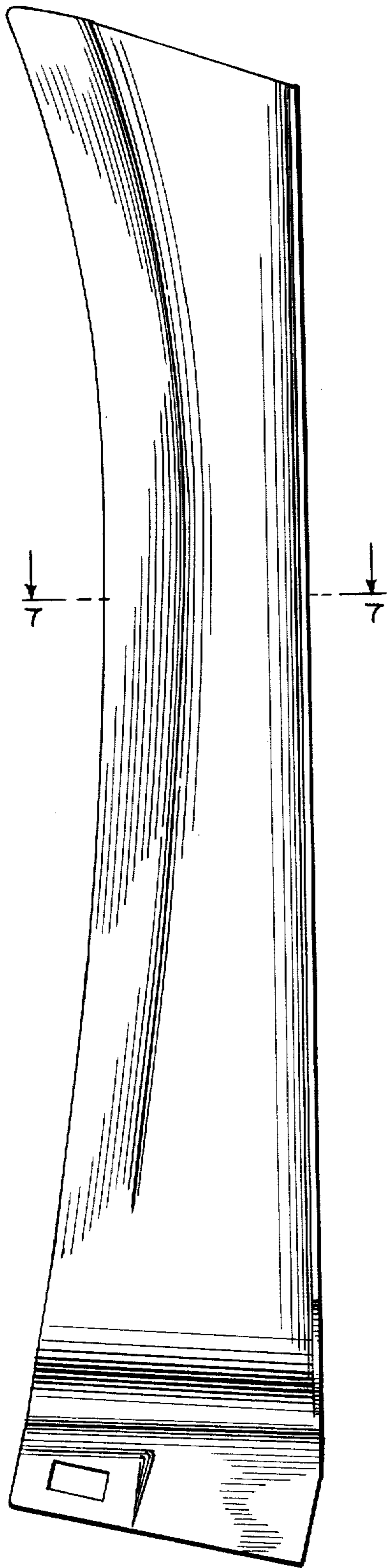


Fig. 3



Fig. 4