

- [54] AIR DAM FOR AUTOMOTIVE VEHICLES
- [75] Inventor: Maurice P. Pare, Farmington, Mich.
- [73] Assignee: Cars & Concepts, Inc., Brighton, Mich.
- [**] Term: 14 Years
- [21] Appl. No.: 53,227
- [22] Filed: Jun. 29, 1979
- [51] Int. Cl. D12-16
- [52] U.S. Cl. D12/181
- [58] Field of Search D12/181, 169; 293/112; 296/15, 91

J. C. Whitney Catalog No. 376A, ©1978, p. 89, Front Spoiler, lower left side of page.

J. C. Whitney Catalog No. 376A, ©1978, p. 119, Camaro Spoiler, top right side of page.

Primary Examiner—James M. Gandy
Attorney, Agent, or Firm—Fisher, Gerhardt, Crampton & Groh

CLAIM

[57]

The ornamental design for an air dam for automotive vehicles, as shown and described.

DESCRIPTION

FIG. 1 is a perspective view of an air dam for automotive vehicles showing my new design, it being understood that the broken lines are for illustrative purposes only;

FIG. 2 is a perspective view from the opposite side thereof;

FIG. 3 is a front elevational view thereof; and

FIG. 4 is an enlarged side elevational view thereof.

- [56] **References Cited**
PUBLICATIONS
- J. C. Whitney Catalog No. 367B, ©1977, p. A, Ducted Spoiler, lower center of page.

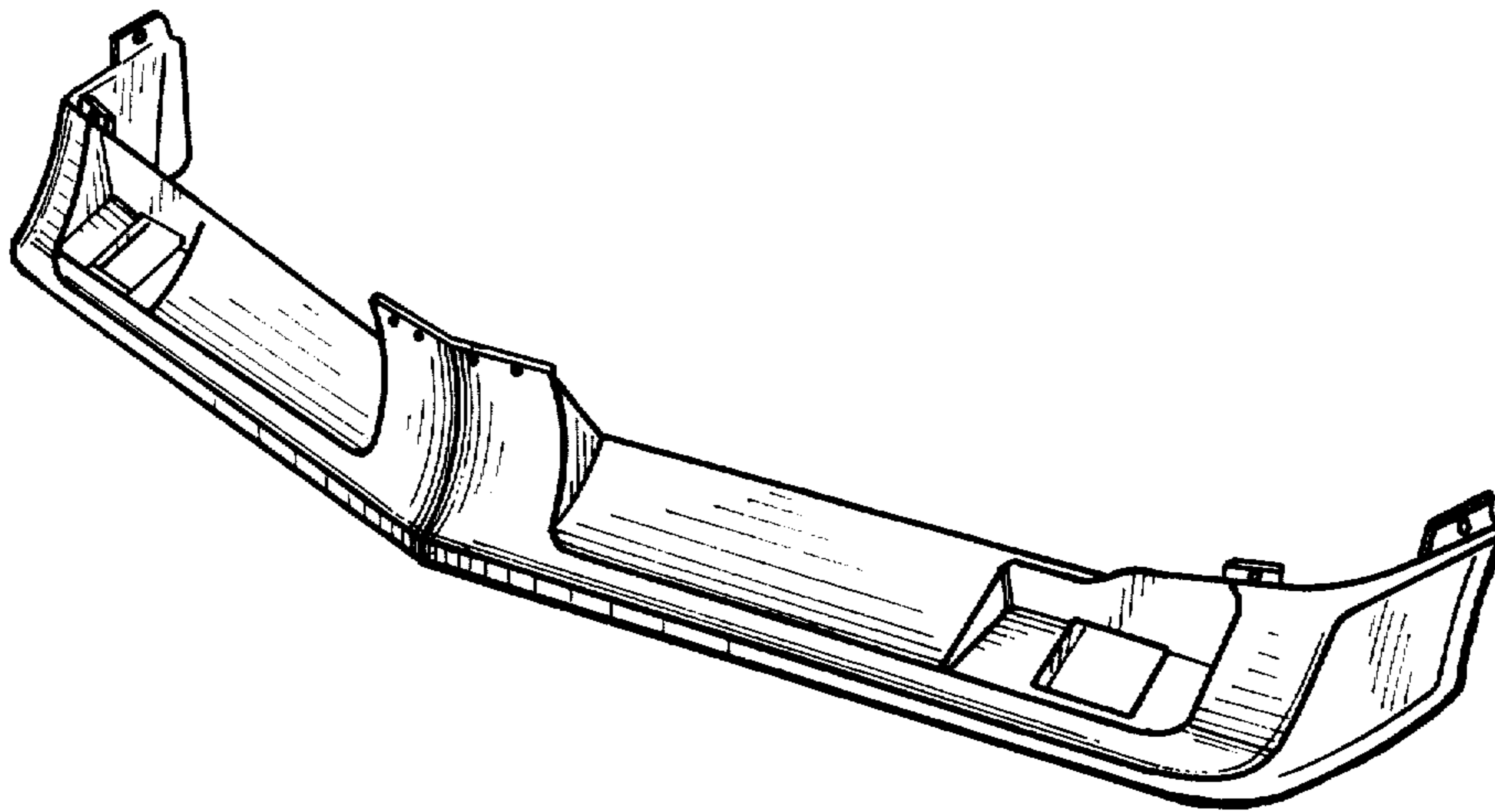


Fig - 1

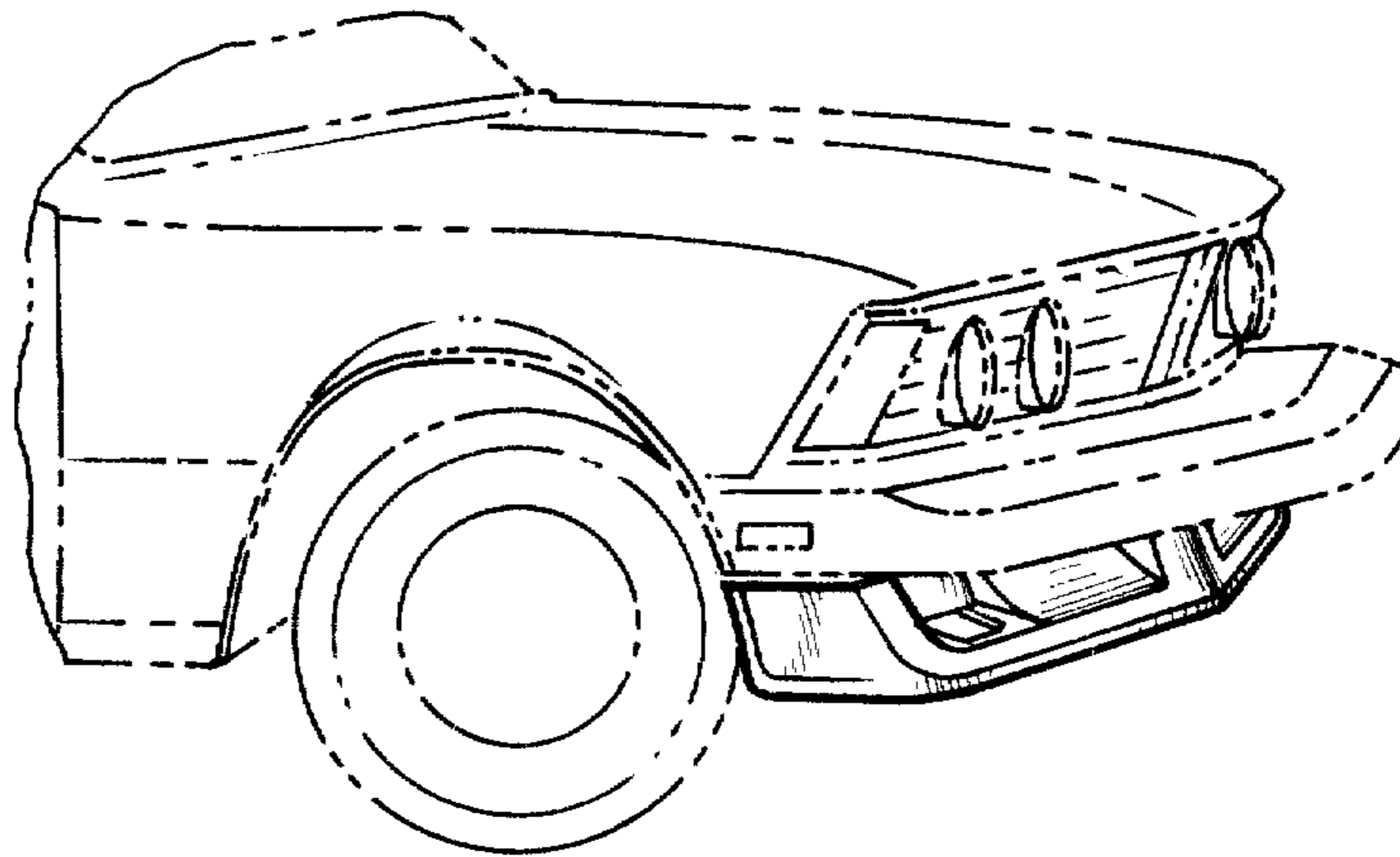


Fig - 2

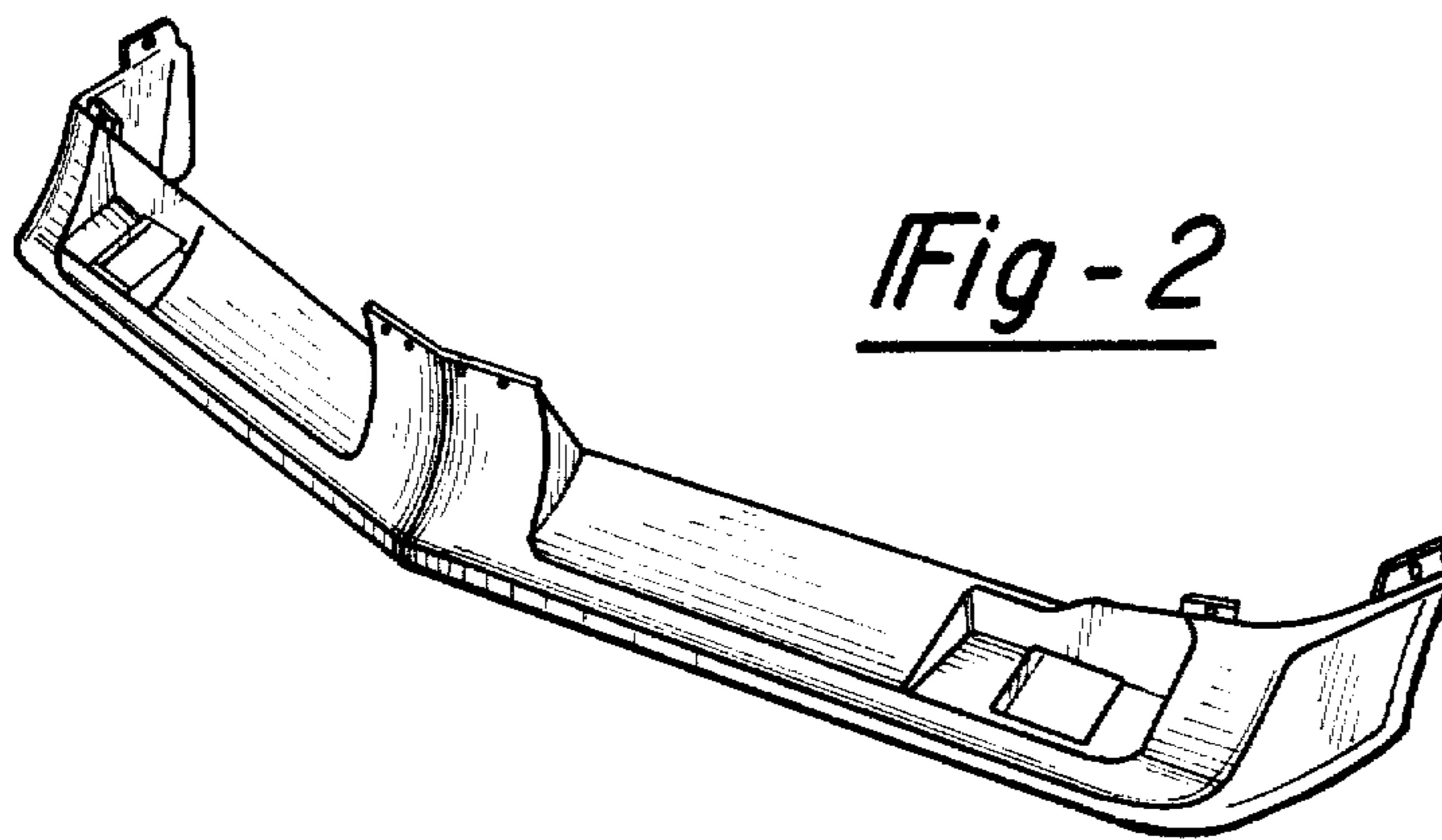


Fig - 3

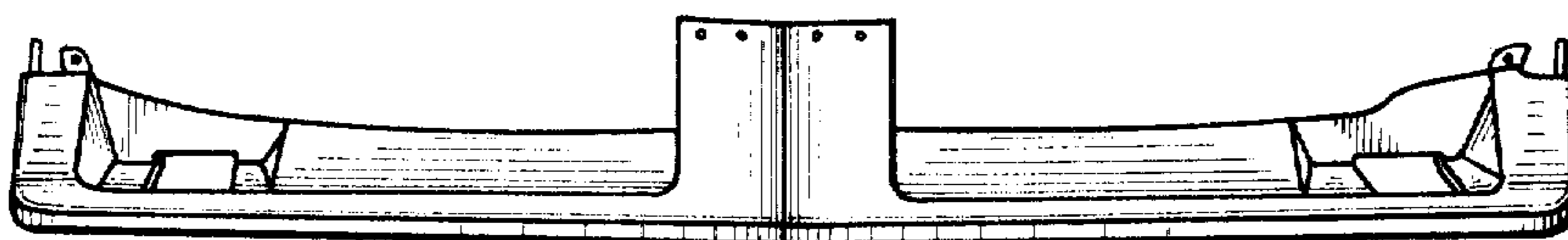


Fig - 4

