

[54] PENANT FOR A BICYCLE

[76] Inventor: Robert J. Janning, Jr., 260 N. Mathilda Ave., Apt. H1, Sunnyvale, Calif. 94086

[**] Term: 14 Years

[21] Appl. No.: 69,612

[22] Filed: Aug. 27, 1979

[51] Int. Cl. D12-11

[52] U.S. Cl. D12/114

[58] Field of Search D12/114; D10/109; 280/289 R

[56] References Cited
PUBLICATIONS

American Bicyclist & Motorcyclist, 3/74, p. 17, Number Plates Attached to Rear of Bicycle, center of page.

American Bicyclist & Motorcyclist, 4/78, p. 52, Protective Rear Cover on Bicycle, center of page.

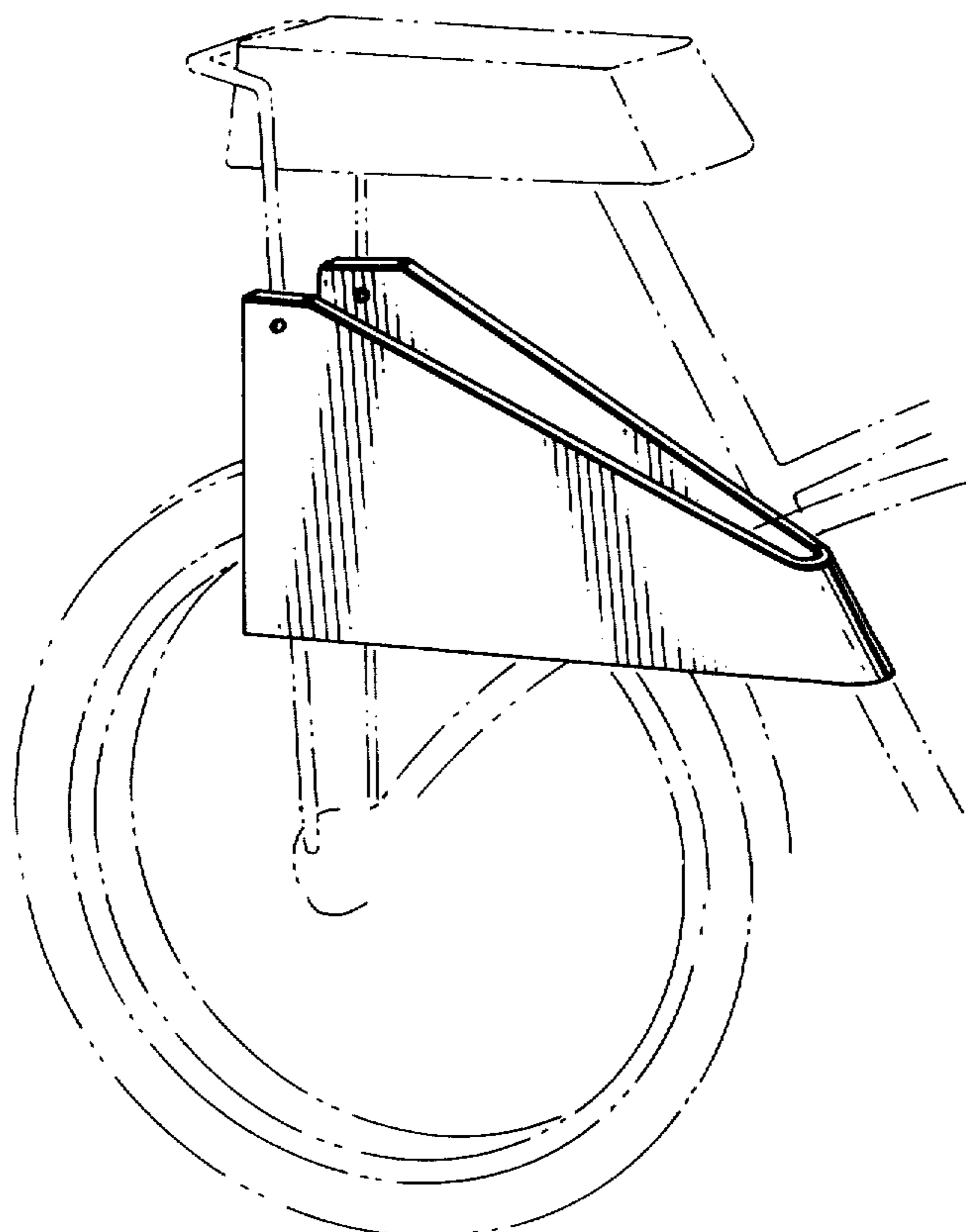
Primary Examiner—James M. Gandy
Attorney, Agent, or Firm—Phillips, Moore, Weissenberger, Lempio & Majestic

[57] CLAIM

The ornamental design for a penant for a bicycle, as shown and described.

DESCRIPTION

FIG. 1 is a perspective view of a penant for a bicycle showing my new design, it being understood that the broken lines are for illustrative purposes only; FIG. 2 is a front elevational view thereof, the rear being substantially a mirror image of the front shown; FIG. 3 is a left side elevational view thereof; FIG. 4 is a right side elevational view thereof; FIG. 5 is a top plan view thereof; and FIG. 6 is a bottom plan view thereof.



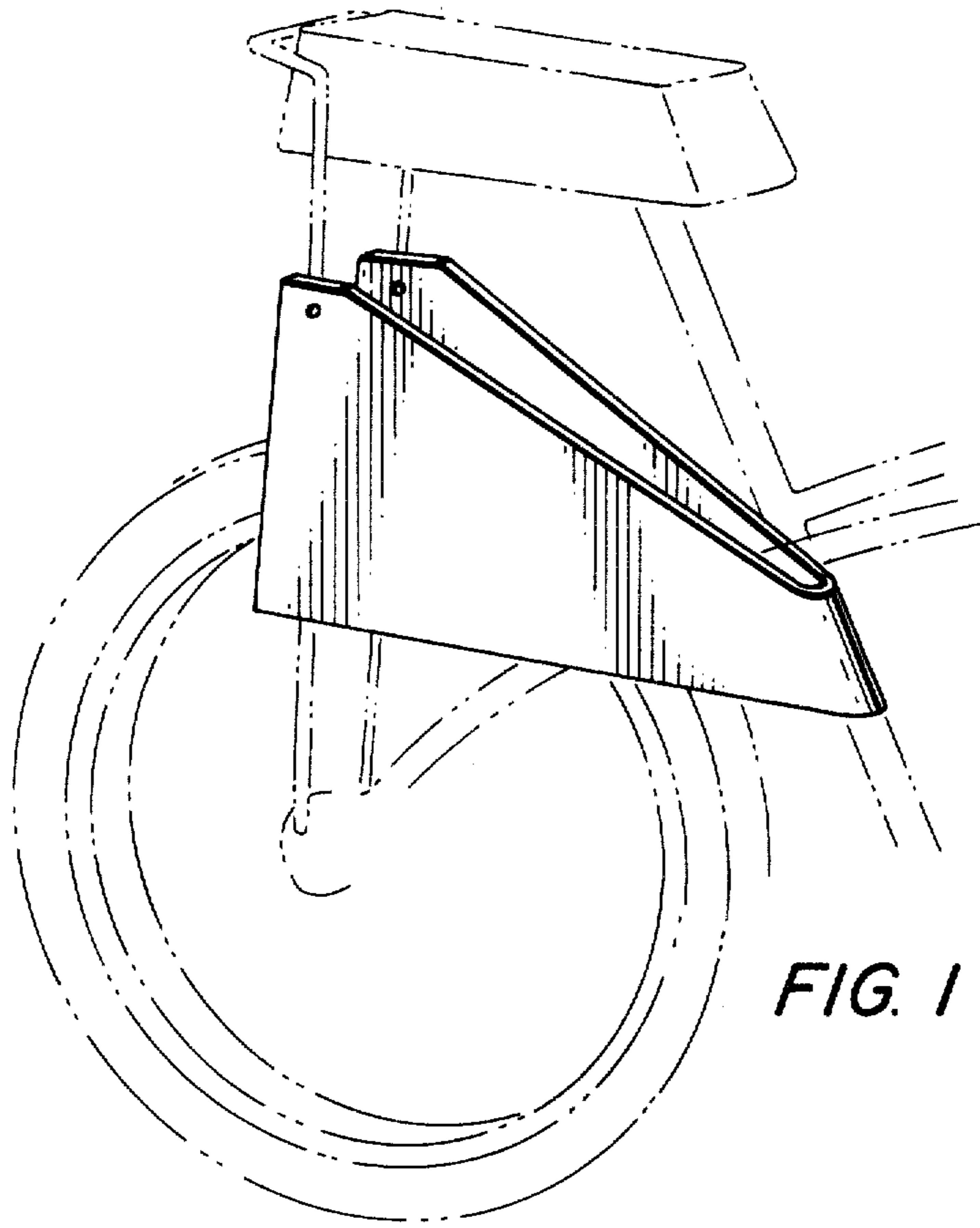


FIG. 1

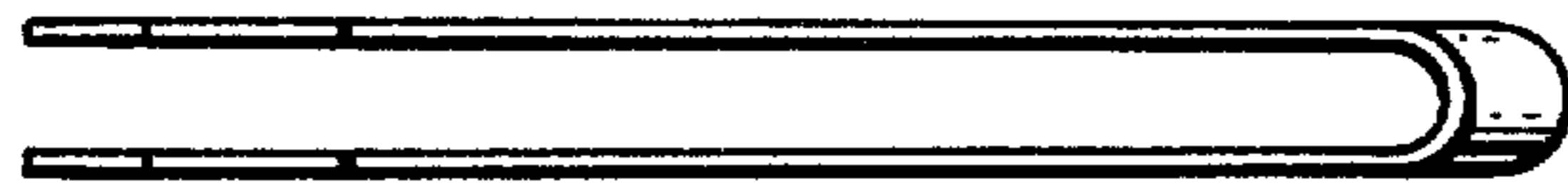


FIG. 5



FIG. 3

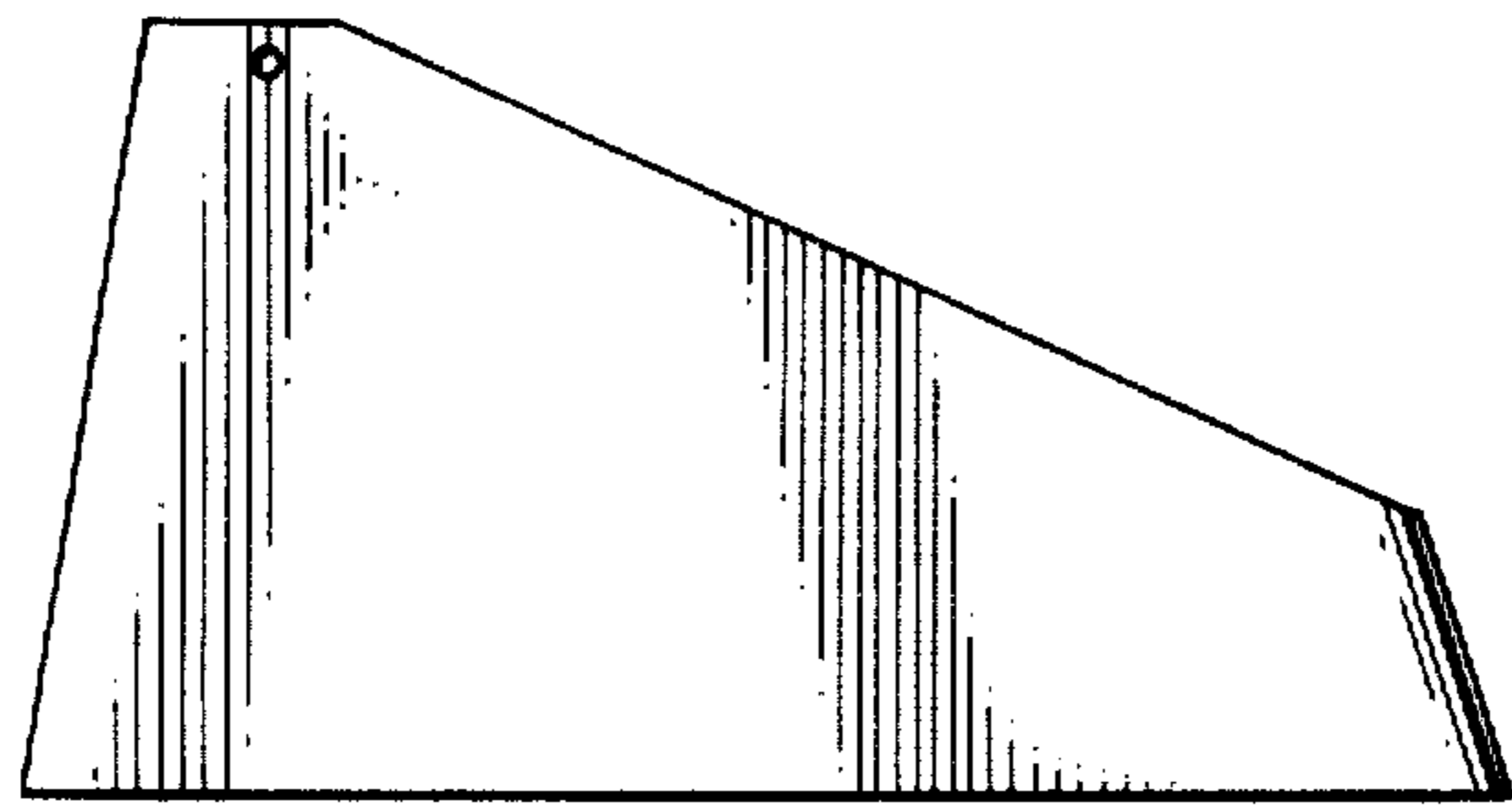


FIG. 2



FIG. 4

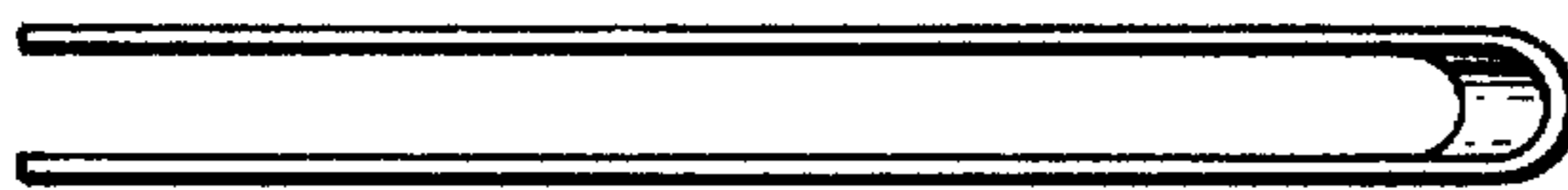


FIG. 6