

[54] SHOPPING CART WITH CHILD SEAT

[75] Inventor: James M. Muellner, White Bear Lake, Minn.

[73] Assignee: Smarte Carte, Inc., White Bear Lake, Minn.

[**] Term: 14 Years

[21] Appl. No.: 36,213

[22] Filed: May 4, 1979

[51] Int. Cl. D12-02

[52] U.S. Cl. D34/18

[58] Field of Search D12/26, 29, 22; 280/47.34, 47.35, 47.38, 33.99 B, 47.4, 63

[56] References Cited

U.S. PATENT DOCUMENTS

- D. 206,116 11/1966 Hughes D12/26
- D. 230,142 1/1974 Muellner D12/22

- D. 240,297 6/1976 Trubiano D12/29
- D. 246,301 11/1977 Trubiano D12/29

Primary Examiner—James M. Gandy
Attorney, Agent, or Firm—Merchant, Gould, Smith, Edell, Welter & Schmidt

[57] CLAIM

The ornamental design for a shopping cart with child seat, as shown and described.

DESCRIPTION

FIG. 1 is a front perspective view of a shopping cart with child seat, showing my new design;
 FIG. 2 is a view in top plan thereof on an enlarged scale;
 FIG. 3 is a side elevational view thereof, on an enlarged scale;
 FIG. 4 is a front elevational view thereof, on an enlarged scale;
 FIG. 5 is a back perspective view thereof; and
 FIG. 6 is a bottom plan view thereof, on an enlarged scale.

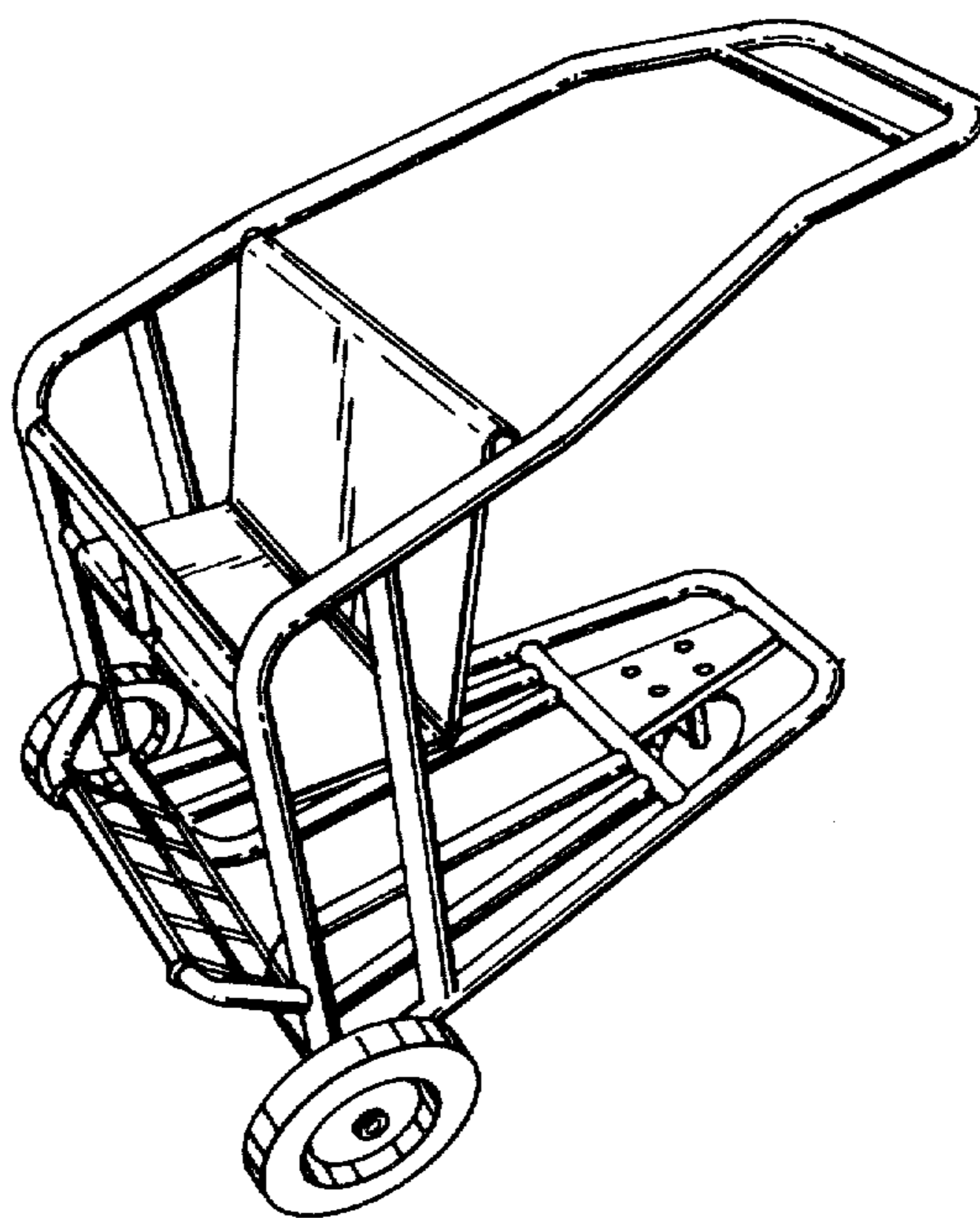


FIG. 1

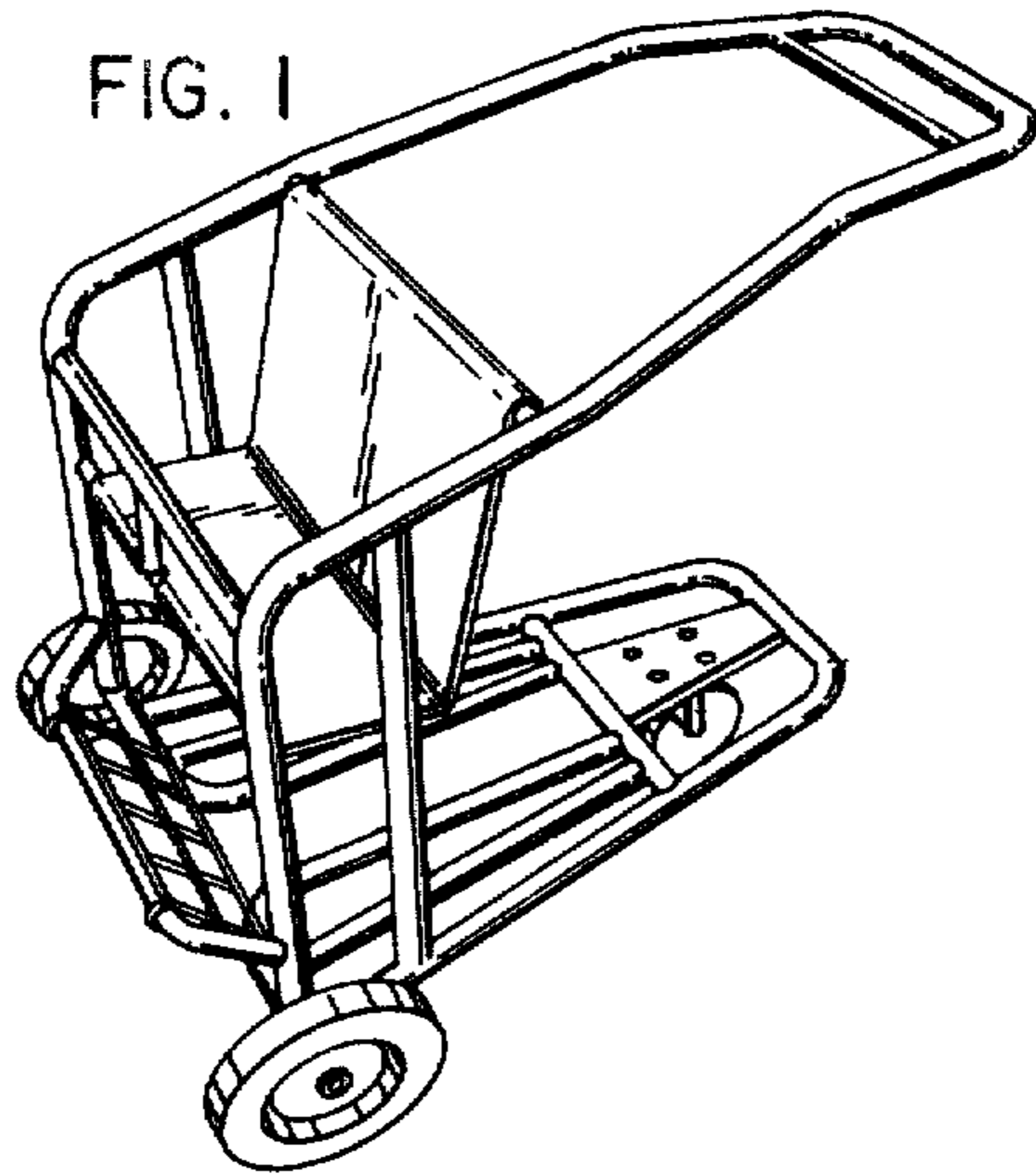


FIG. 2

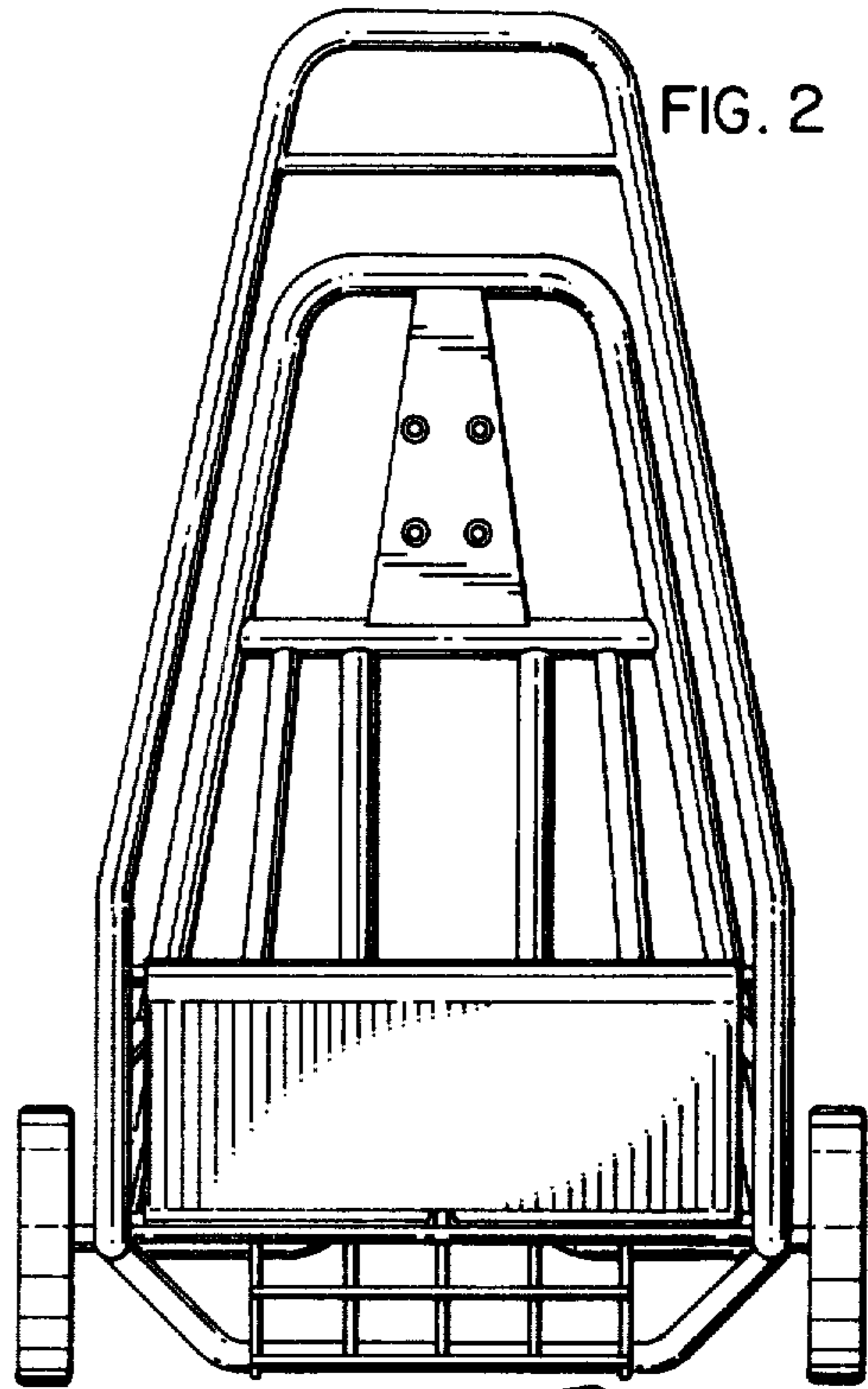
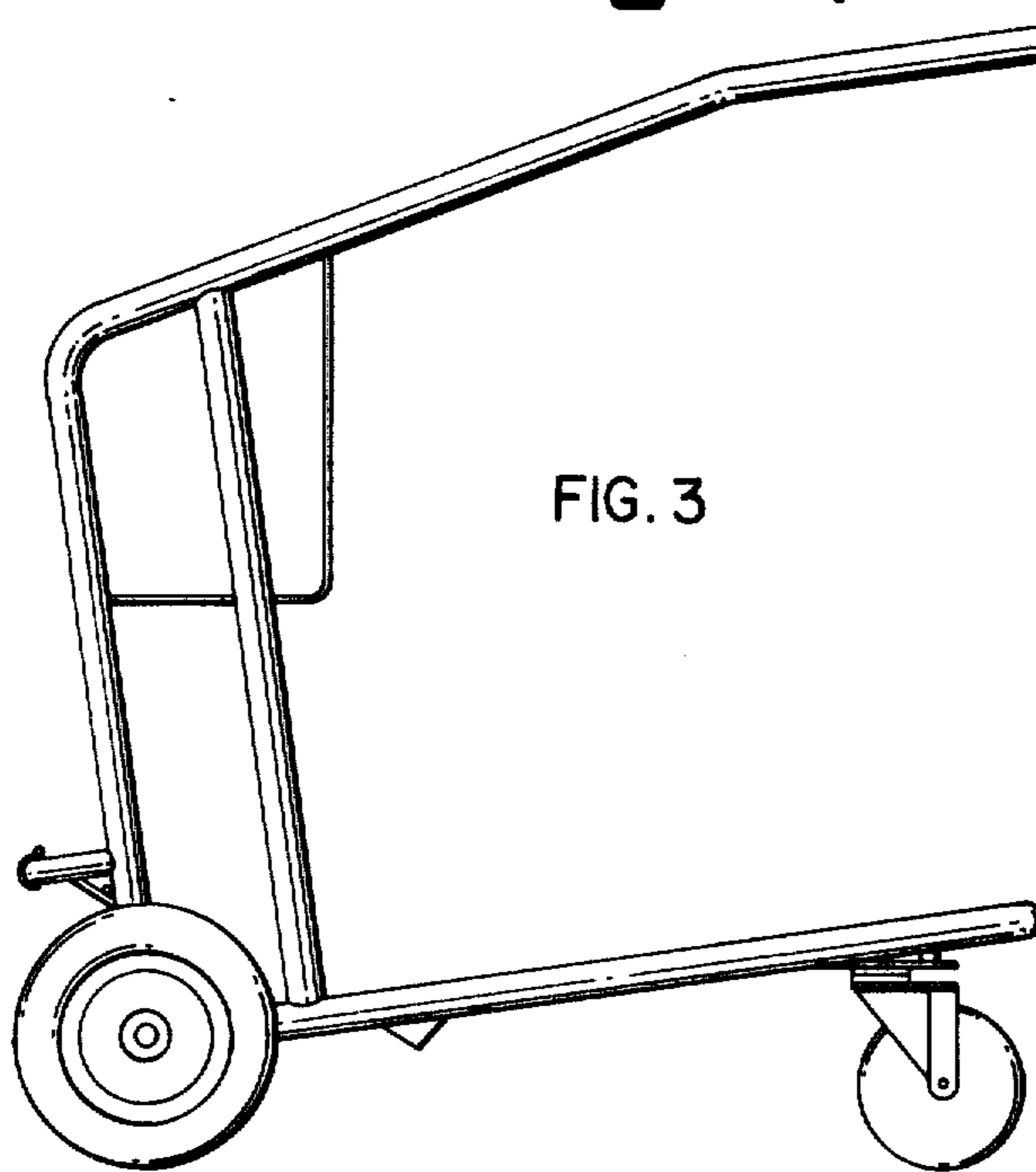


FIG. 3



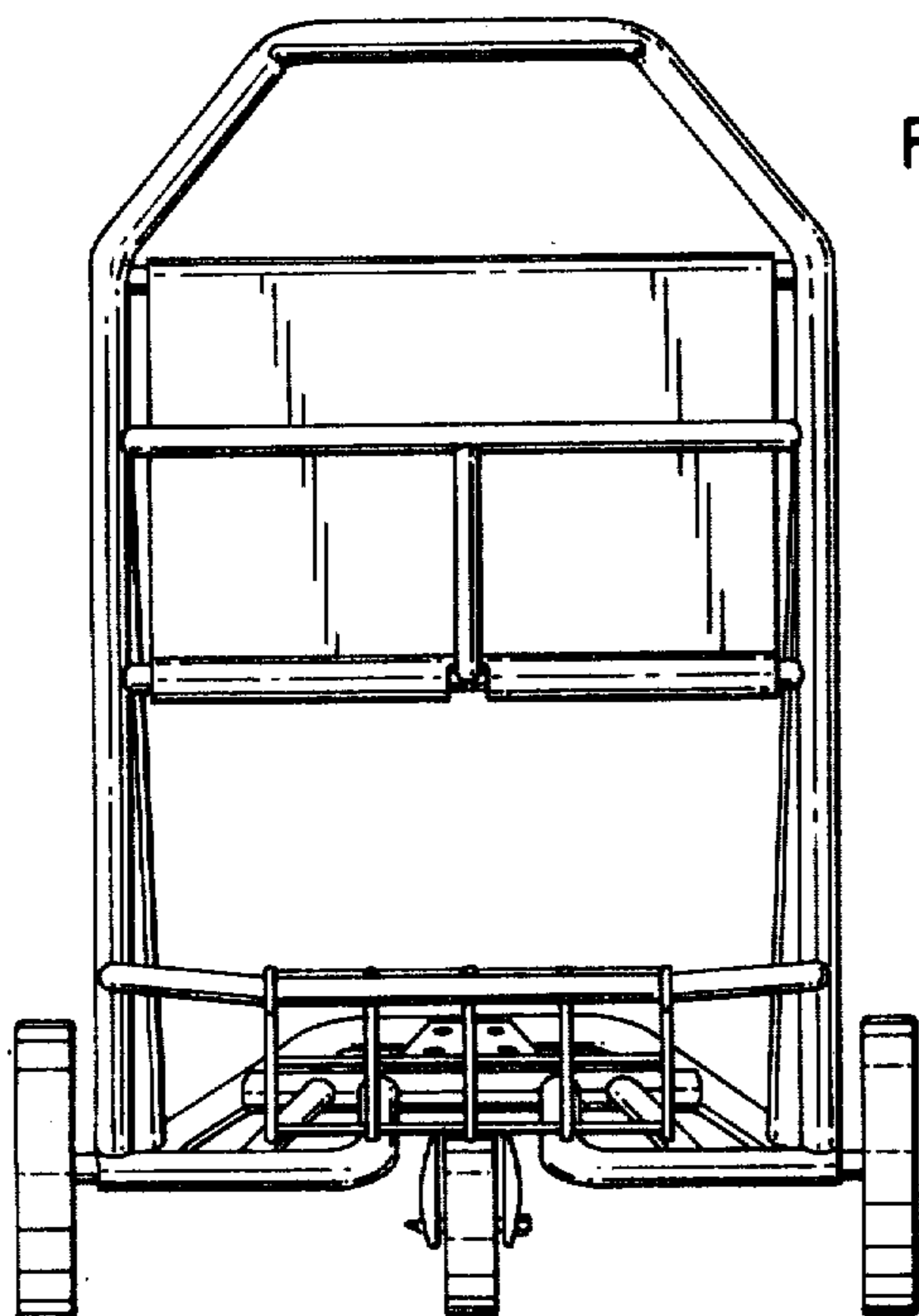


FIG. 4



FIG. 5

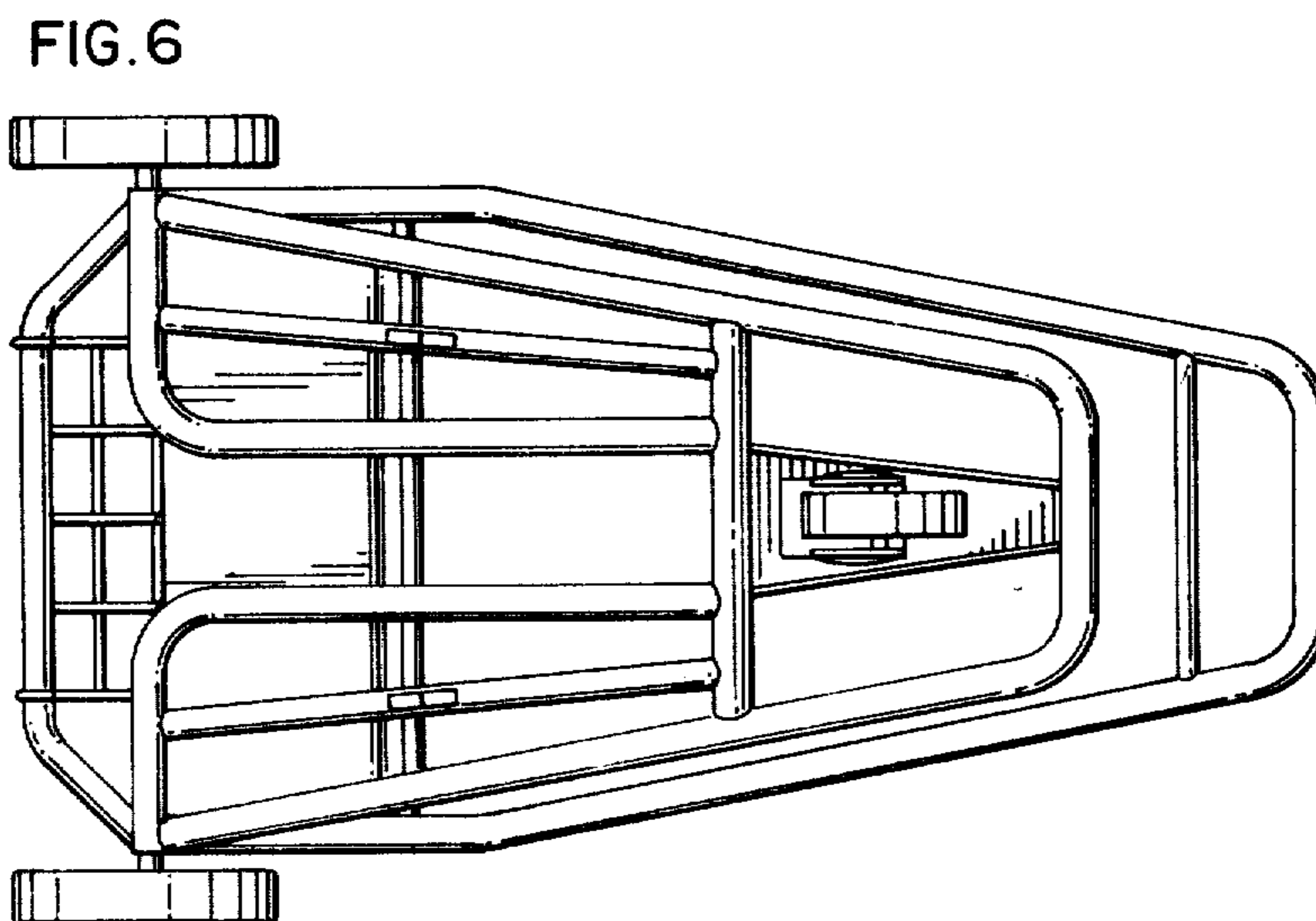


FIG. 6