

- [54] TABLE
- [76] Inventor: **David E. Watson**, 6 Summit Ter., Peabody, Mass. 01960
- [\*\*] Term: **14 Years**
- [21] Appl. No.: **943,010**
- [22] Filed: **Sep. 18, 1978**
- [51] Int. Cl. .... **D6-03**
- [52] U.S. Cl. .... **D6/175**
- [58] Field of Search ..... **D6/175, 177-179, D6/146-149**

D. 242,003 10/1976 Faber ..... D6/177

**OTHER PUBLICATIONS**

Interiors, 10-1973, p. 20, Table lower left by Sayegh.

*Primary Examiner*—Bruce W. Dunkins  
*Attorney, Agent, or Firm*—Thomas C. Stover, Jr.

[57] **CLAIM**

The ornamental design for a table, as shown and described.

**DESCRIPTION**

FIG. 1 is a perspective view of a table showing my new design.

FIG. 2 is a top plan view thereof.

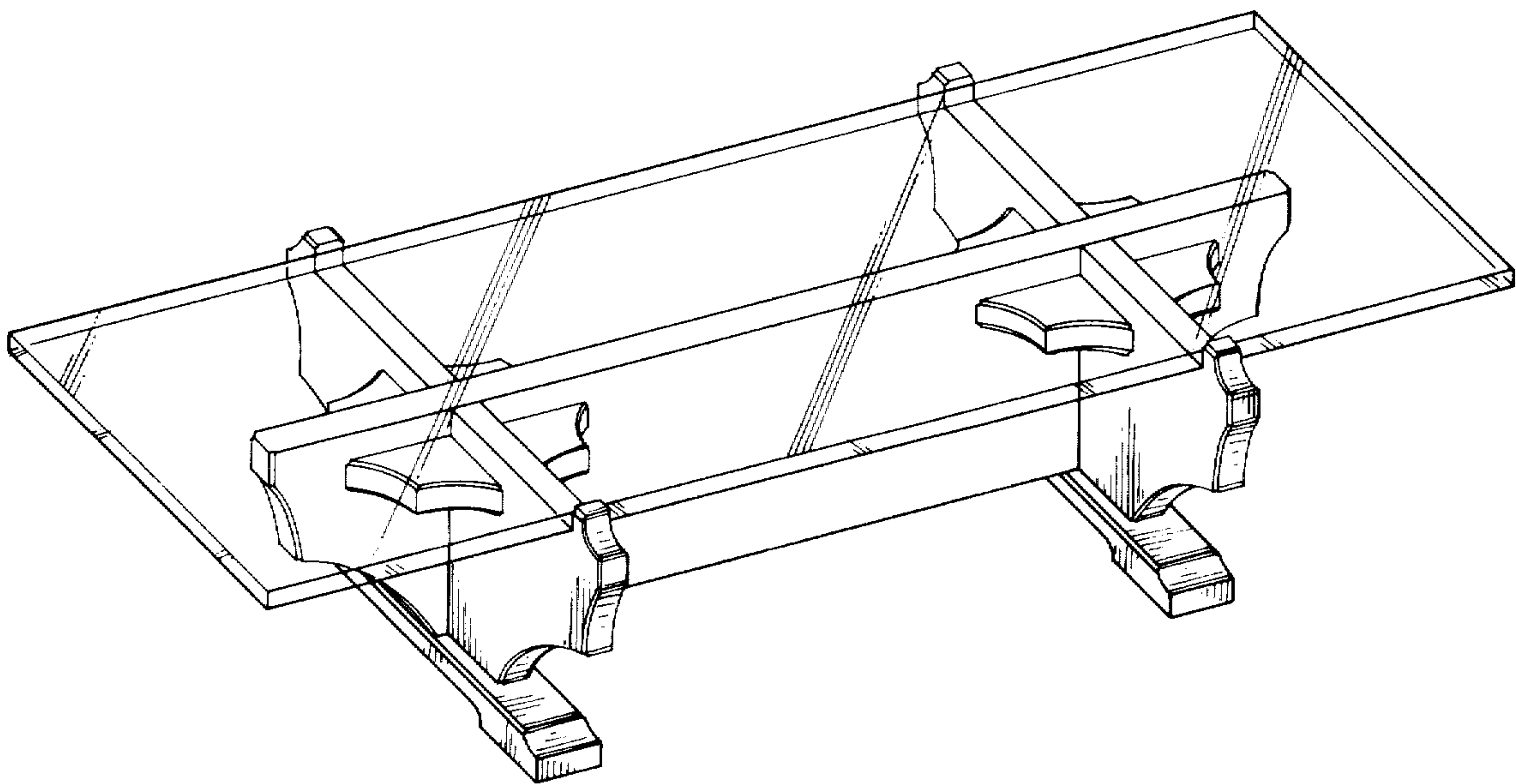
FIG. 3 is a front elevation view thereof.

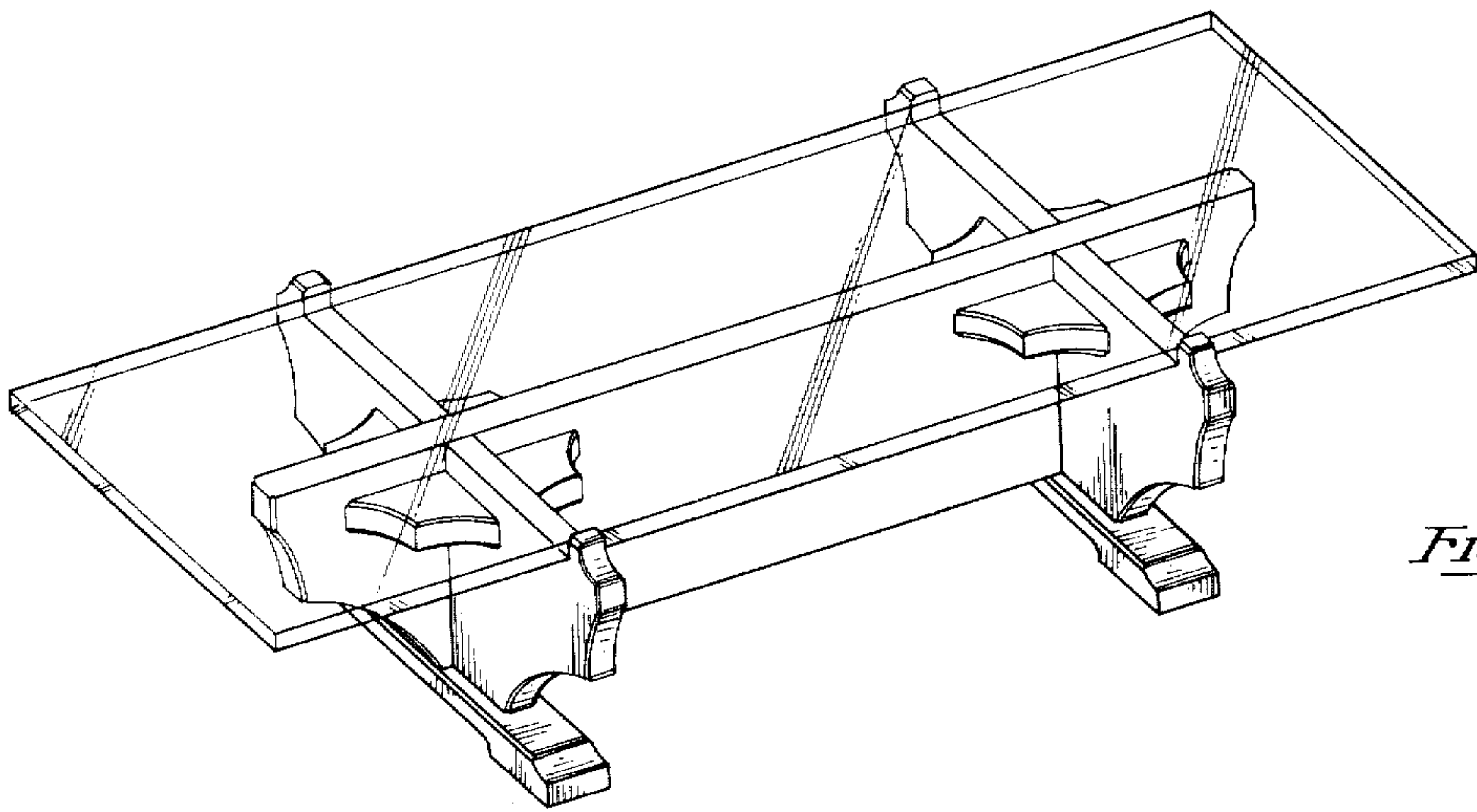
FIG. 4 is an end elevation view thereof.

FIG. 5 is a side elevational view of a modified form of the table shown in FIG. 1; and

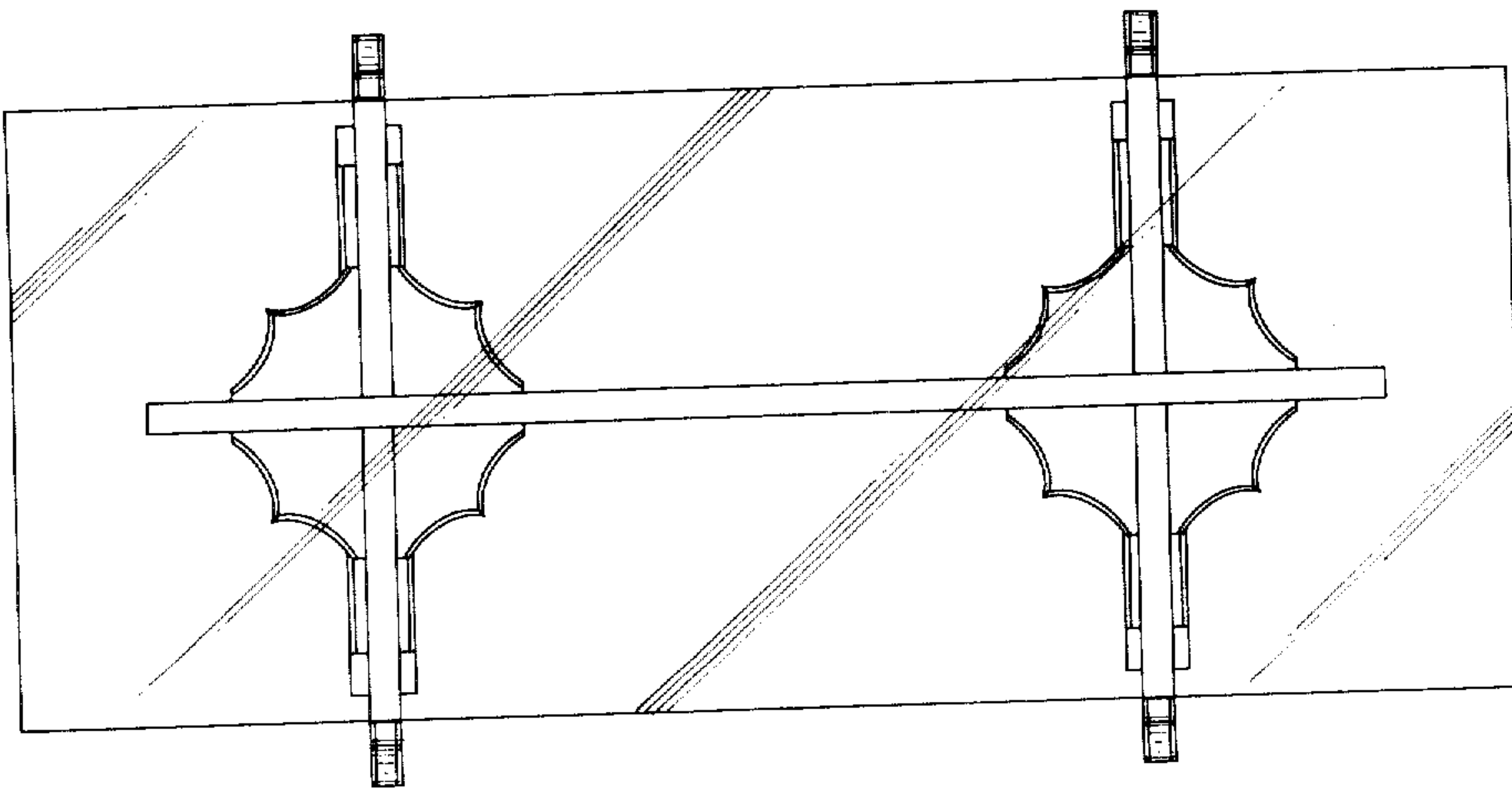
FIG. 6 is a top plan view thereof.

- [56] **References Cited**
- U.S. PATENT DOCUMENTS**
- D. 229,808 1/1974 McDonald ..... D6/177
- D. 232,794 9/1974 Gilbert ..... D6/177
- D. 236,926 9/1975 Alexander ..... D6/177

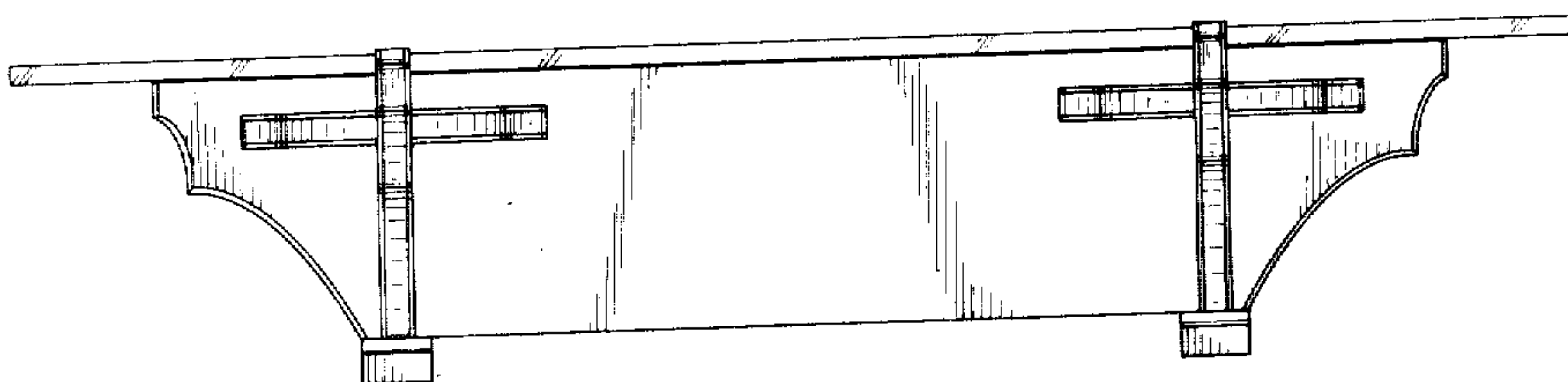




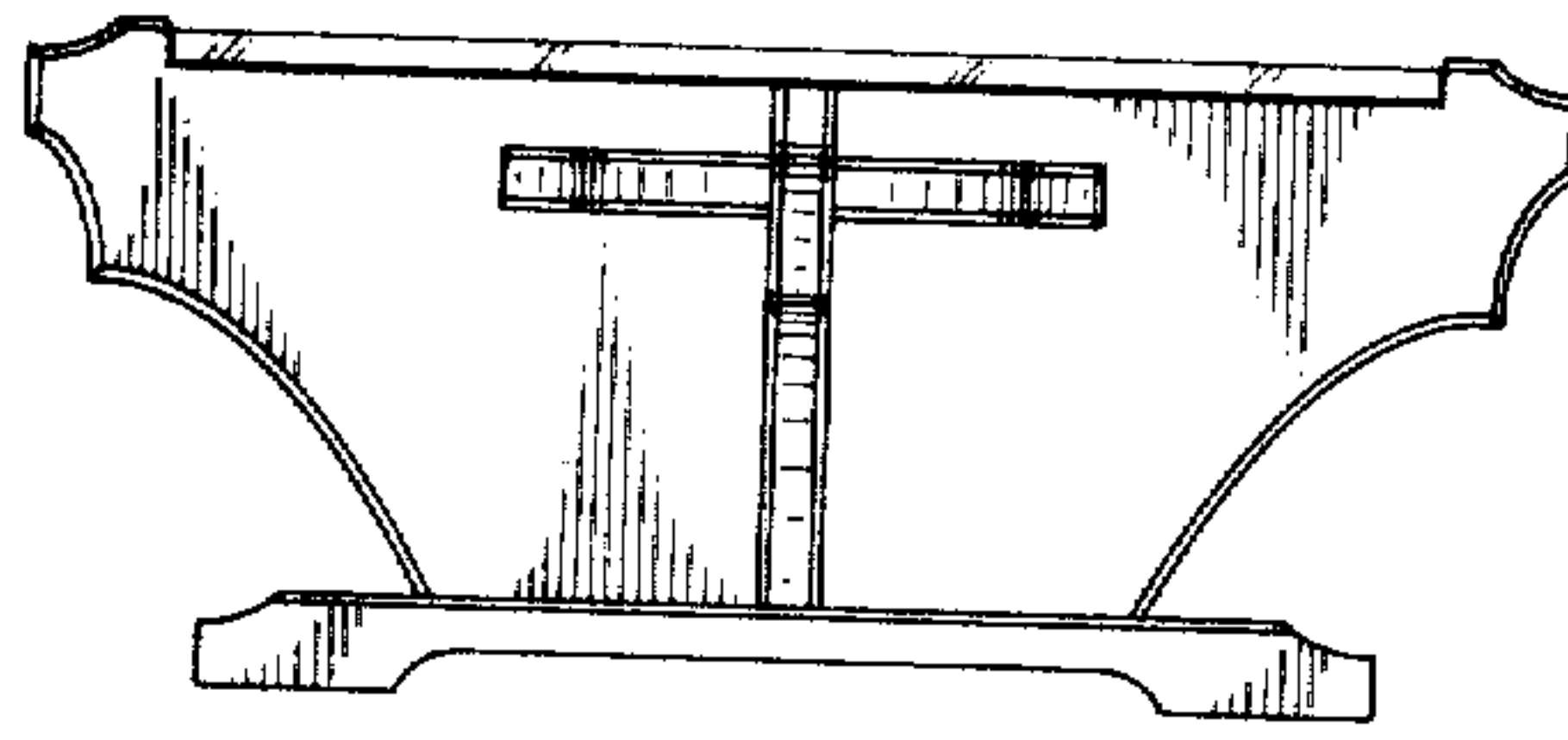
*Fig. 1*



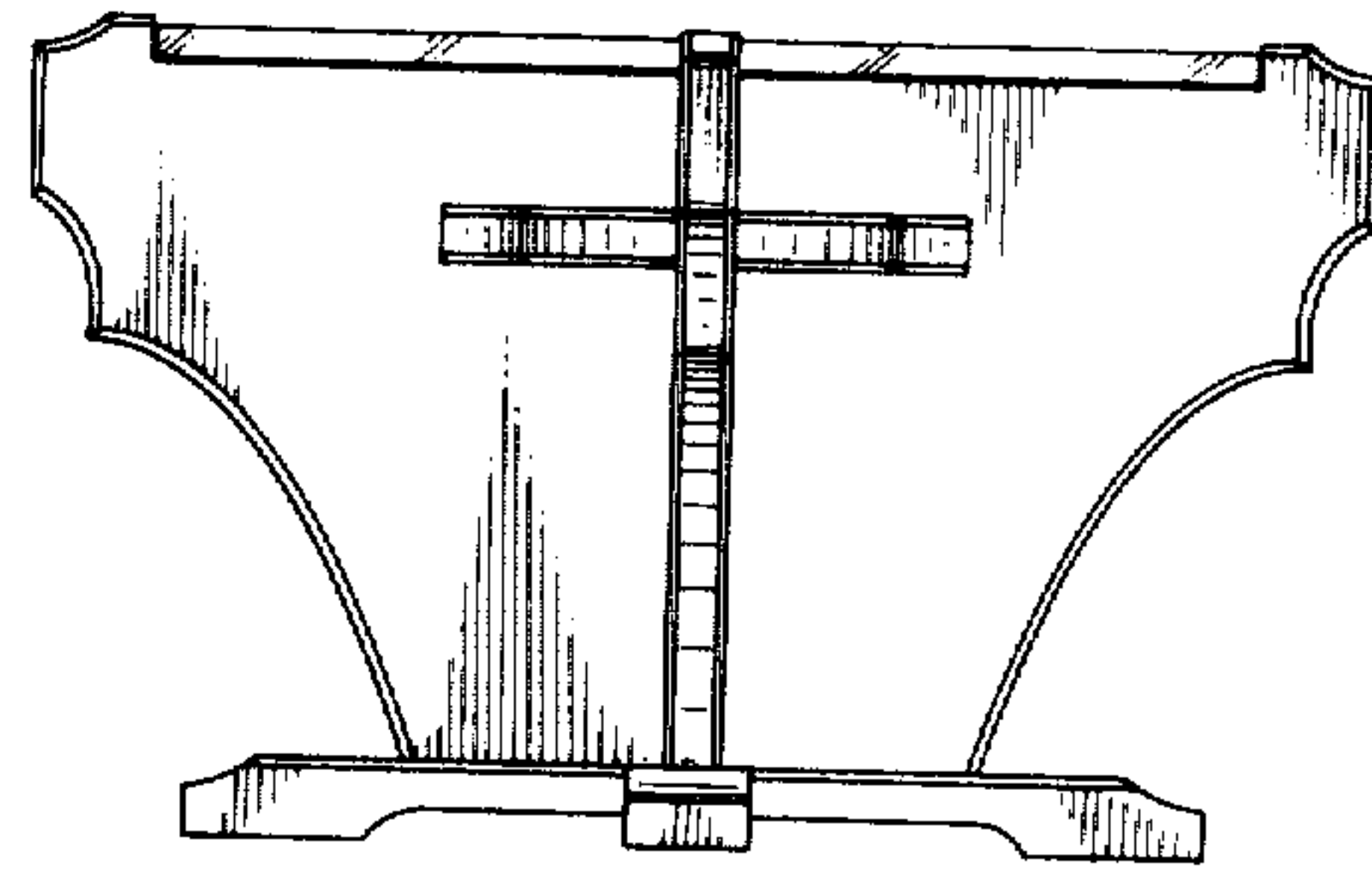
*Fig. 2*



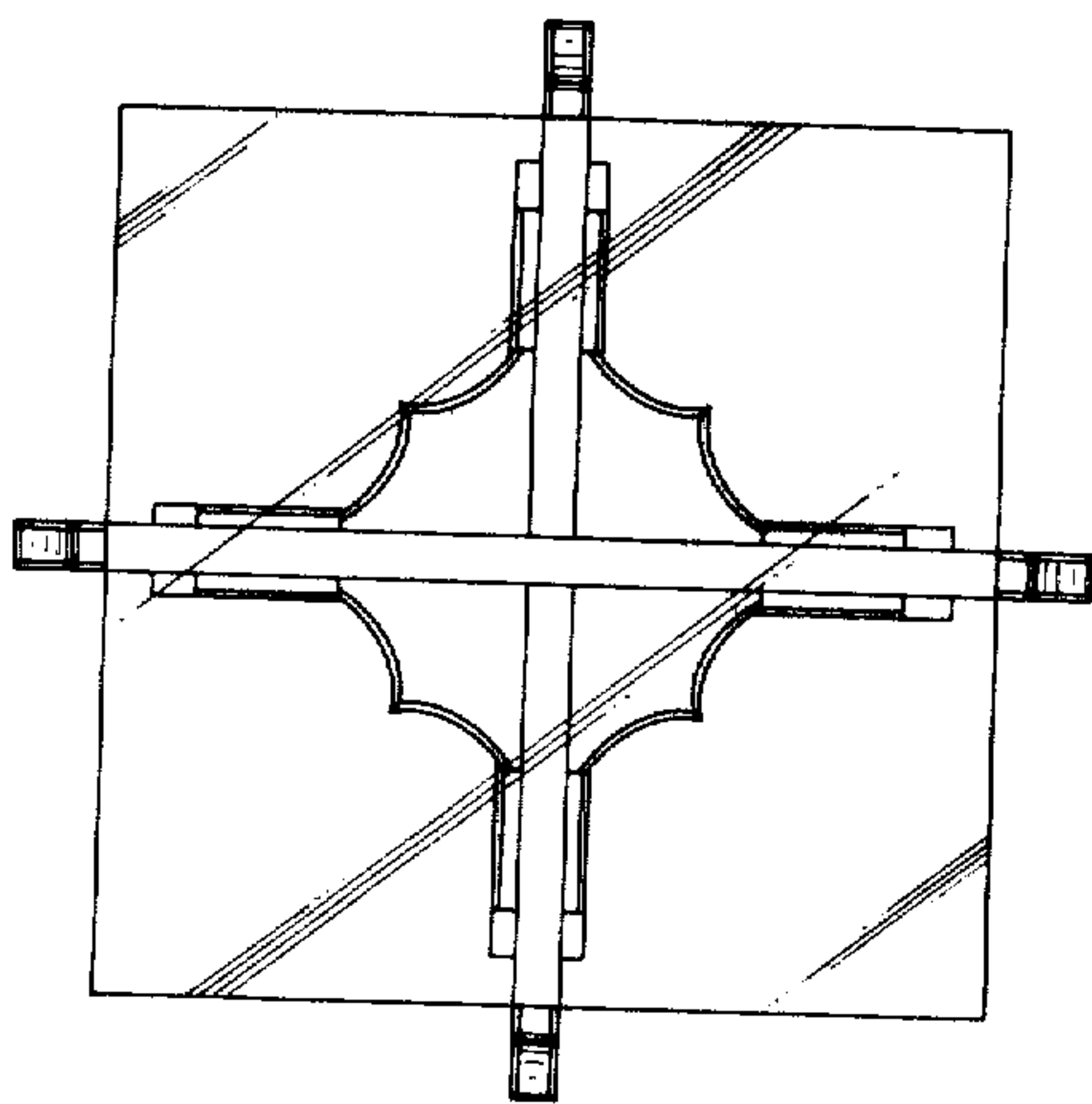
*Fig. 3*



*Fig. 4*



*Fig. 5*



*Fig. 6*