

[54] **PATIENT CHAIR**

[75] **Inventor:** Jack V. Miller, Pasadena, Calif.  
[73] **Assignee:** Storz Instrument Company, St. Louis, Mo.

[\*\*] **Term:** 14 Years

[21] **Appl. No.:** 112,403

[22] **Filed:** Jan. 15, 1980

[51] **Int. Cl.** ..... D6—01  
[52] **U.S. Cl.** ..... D6/22  
[58] **Field of Search** ..... D6/20, 22, 26, 30, 31,  
D6/47, 67; 297/353, 354, 355, 391, 410

[56]

**References Cited**

**U.S. PATENT DOCUMENTS**

D. 194,673 2/1963 Watlington ..... D6/22  
D. 206,585 1/1967 Gardella et al. .... D6/22  
D. 232,138 7/1974 Truman ..... D6/22  
D. 237,327 10/1975 Collins et al. .... D6/22  
D. 239,790 5/1976 Webb ..... D6/22  
3,817,576 6/1974 Ciavattoni et al. .... D6/22 X

*Primary Examiner*—Bruce W. Dunkins

[57]

**CLAIM**

The ornamental design for a patient chair, substantially as shown and described.

**DESCRIPTION**

FIG. 1 is a perspective view of a patient chair incorporating the design of the present invention; FIG. 2 is a rear elevational view thereof; FIG. 3 is a side elevational view thereof; FIG. 4 is a front elevational view thereof; and FIG. 5 is a top elevational view thereof.





FIG. 1.

FIG. 5.

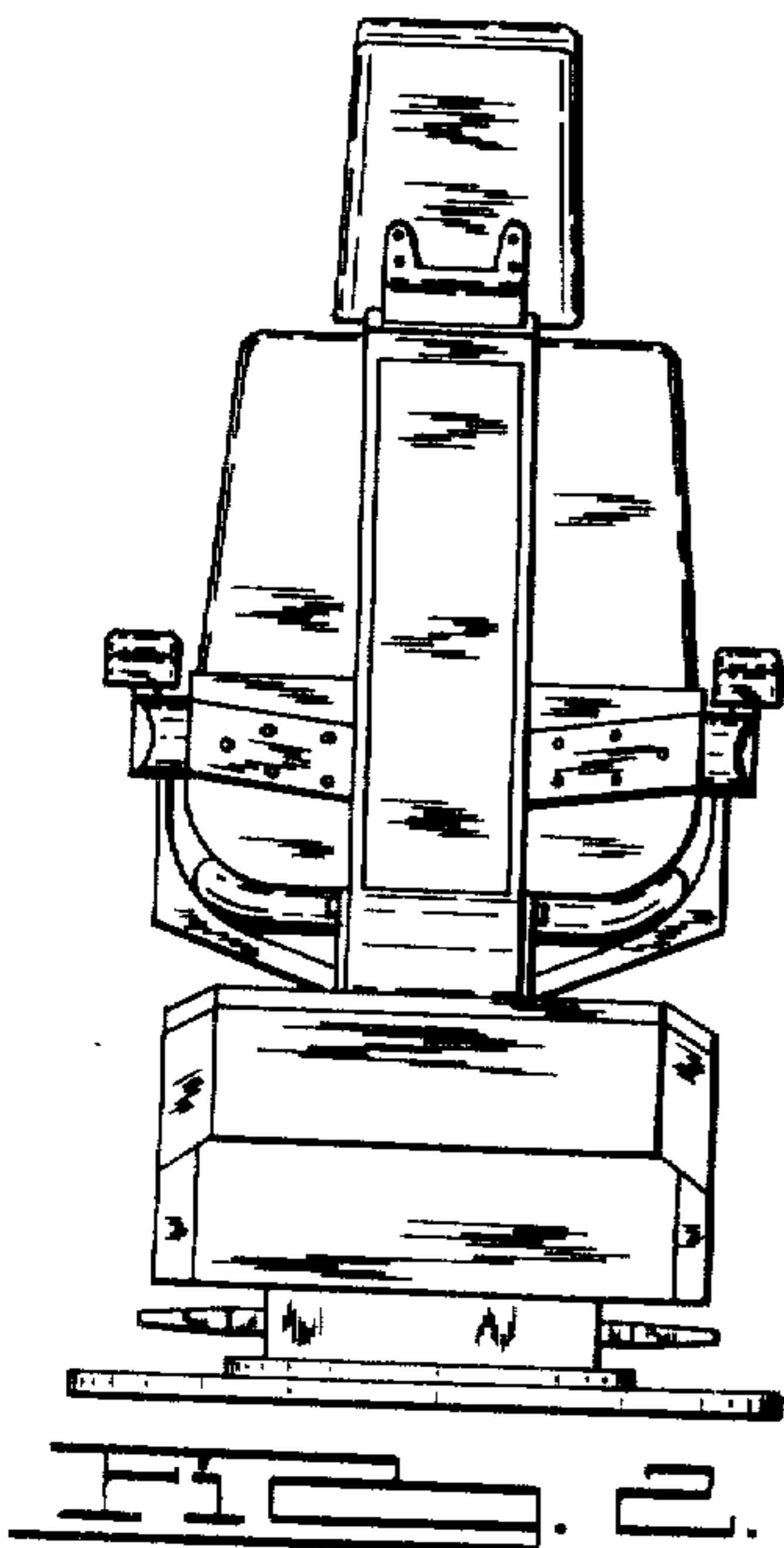
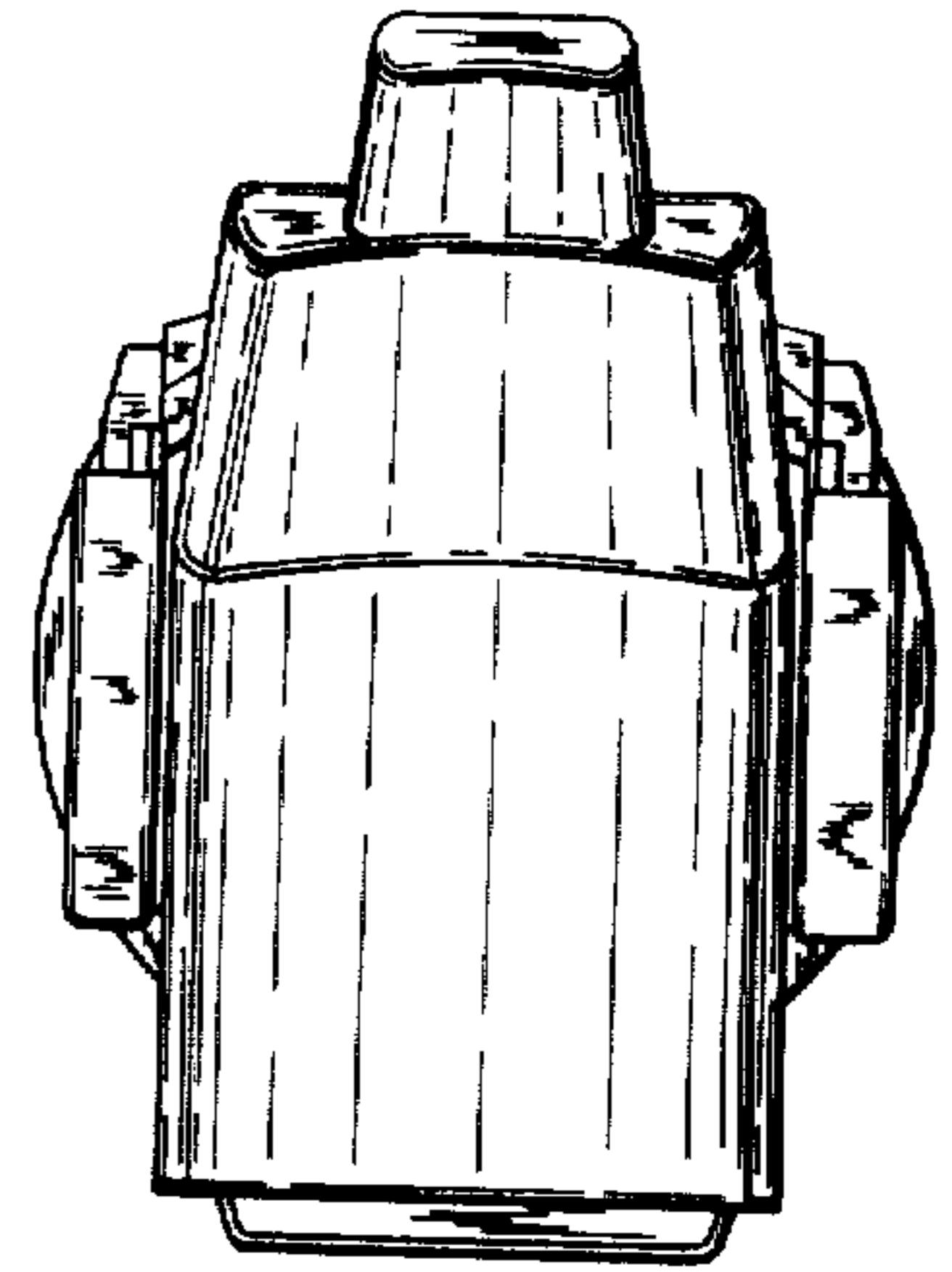


FIG. 2.

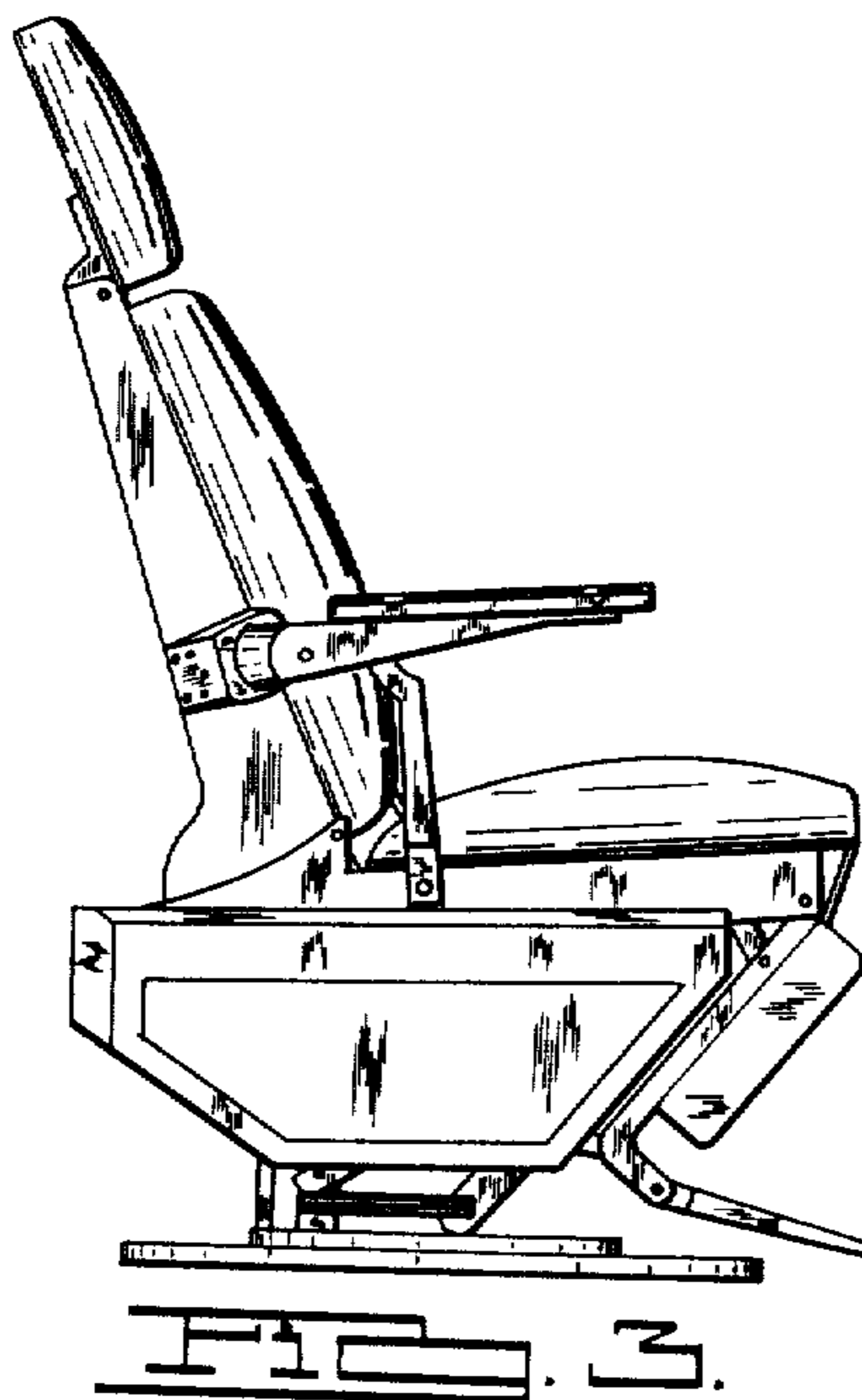


FIG. 3.

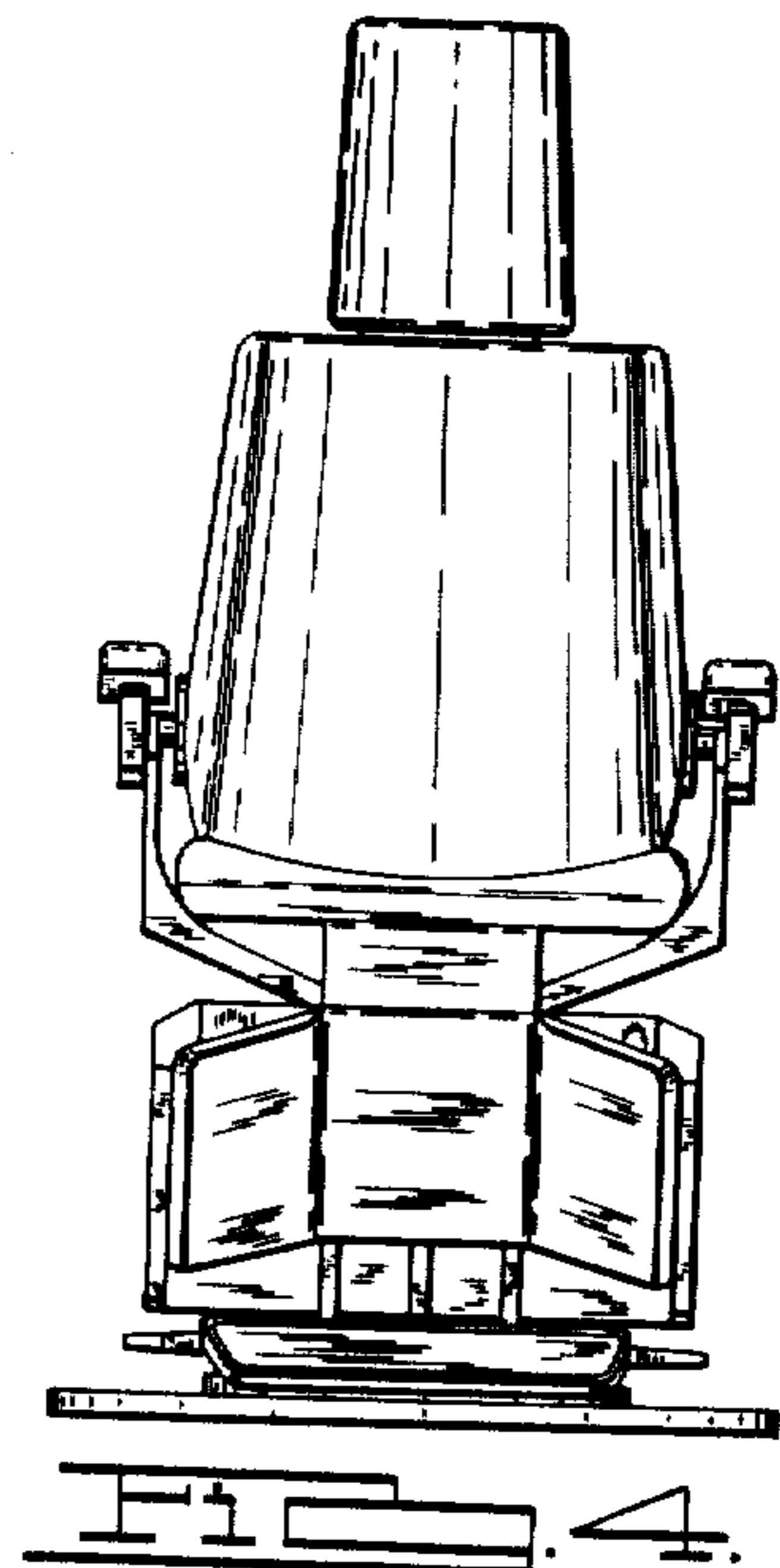


FIG. 4.