

[54] COMBINED CARRYING TRAY AND SLIDING DRAWER

[76] Inventor: Laurie Berman, R.R. #1, Palgrave, Ontario, Canada, L0N 1P0

[\*\*] Term: 14 Years

[21] Appl. No.: 81,206

[22] Filed: Oct. 2, 1979

[51] Int. Cl. .... D3-02

[52] U.S. Cl. .... D34/44; D3/30.1

[58] Field of Search .... D3/30, 30.5, 67; D99/47, 48; 312/DIG. 33; 224/45 R, 45 E, 45 P, 48 R

[56] References Cited

U.S. PATENT DOCUMENTS

D. 126,436	4/1941	Hutchings	.....	D99/48
D. 218,722	9/1970	Vaccaro	.....	D99/48
D. 235,488	6/1975	Swalm	.....	D99/48
3,446,386	5/1969	Wellington	.	
3,506,324	4/1970	Fristedt	.....	D3/30
4,122,944	10/1978	Napoli	.....	D3/30
4,207,997	6/1980	Croyle	.....	D3/30

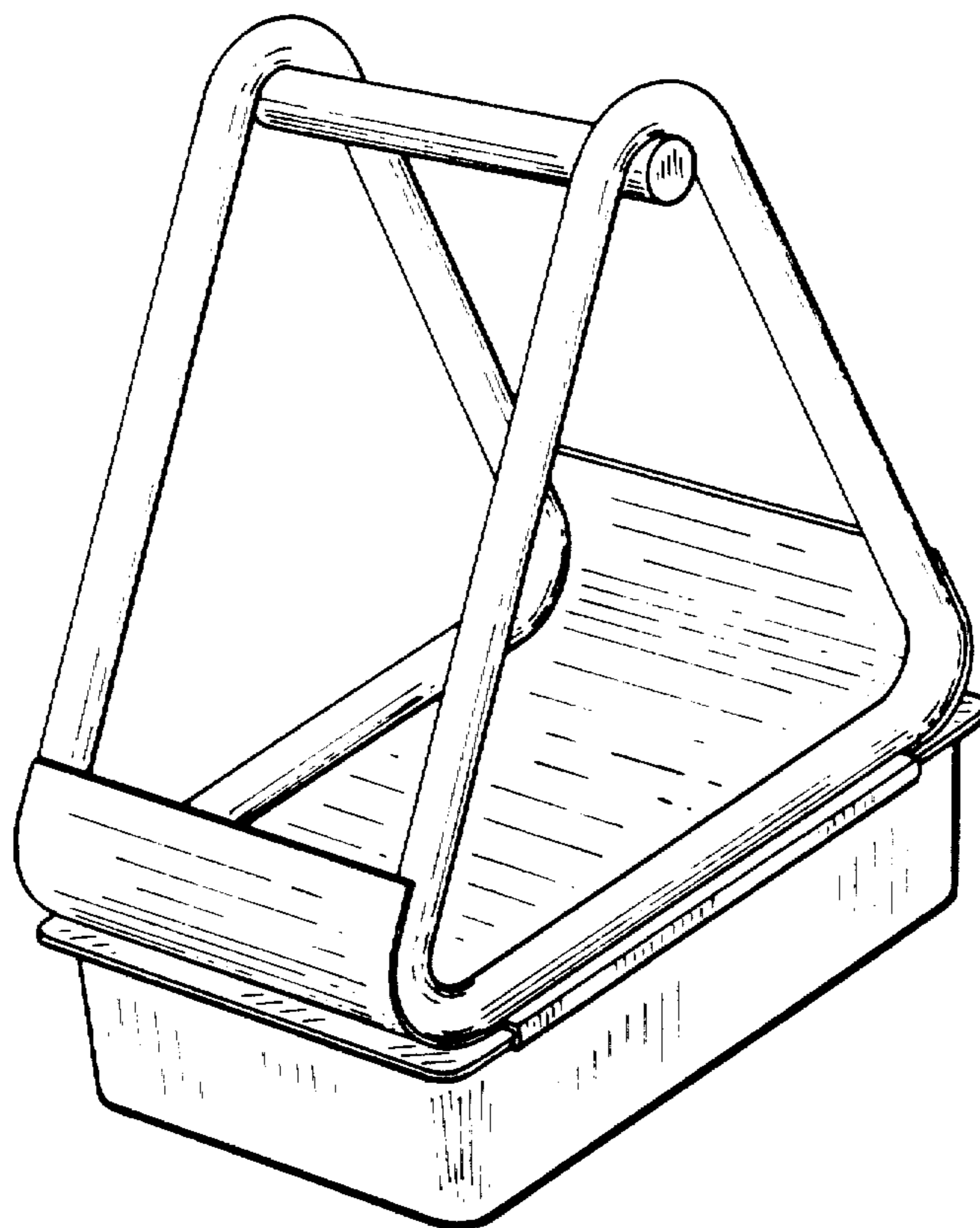
Primary Examiner—George P. Word

[57] CLAIM

The ornamental design for a combined carrying tray and sliding drawer, as shown.

DESCRIPTION

FIG. 1 is a perspective view of a combined carrying tray and sliding drawer showing my new design. FIG. 2 is an end elevational view; FIG. 3 is a side elevational view; and FIG. 4 is a top plan view.



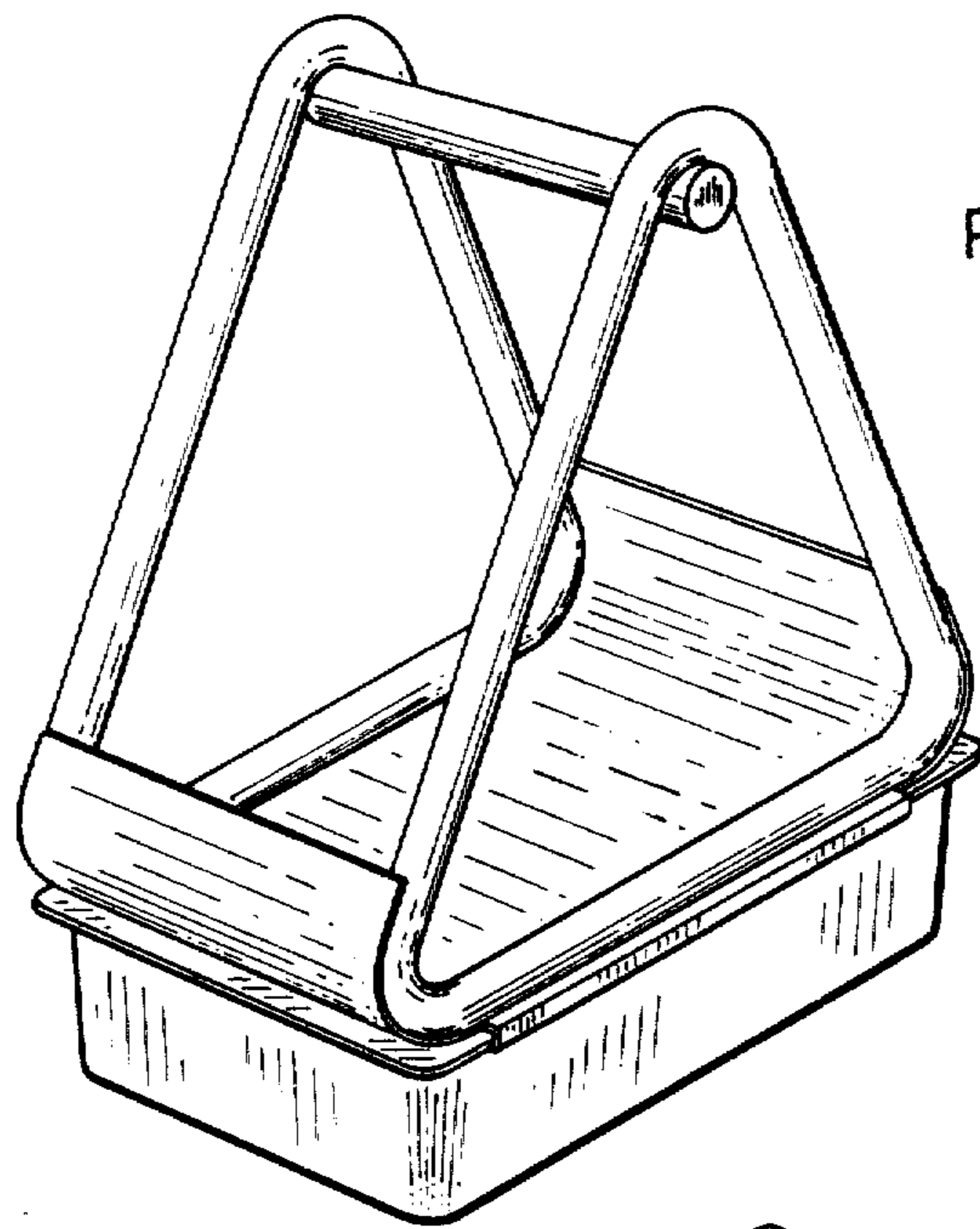


FIG. 1.

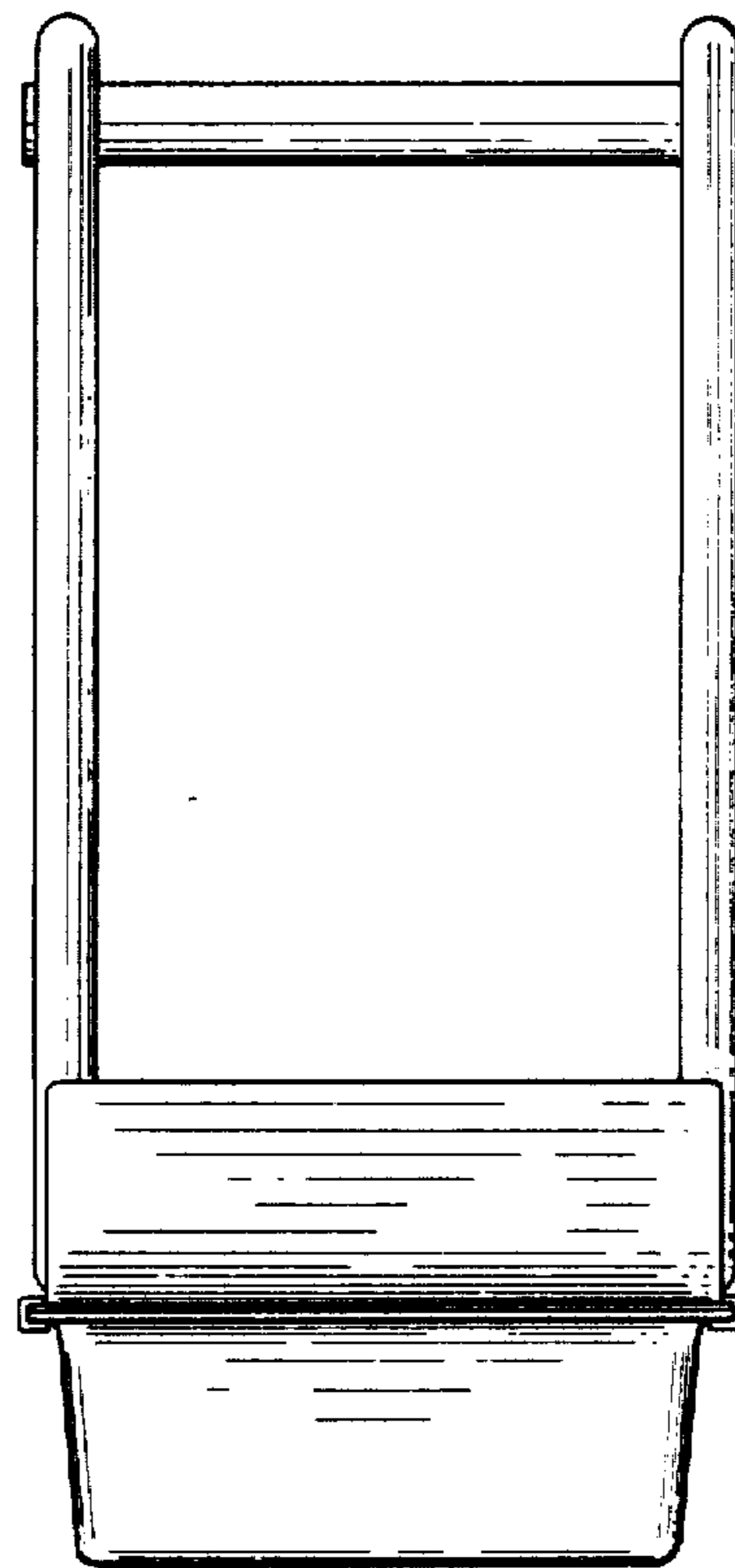


FIG. 2.

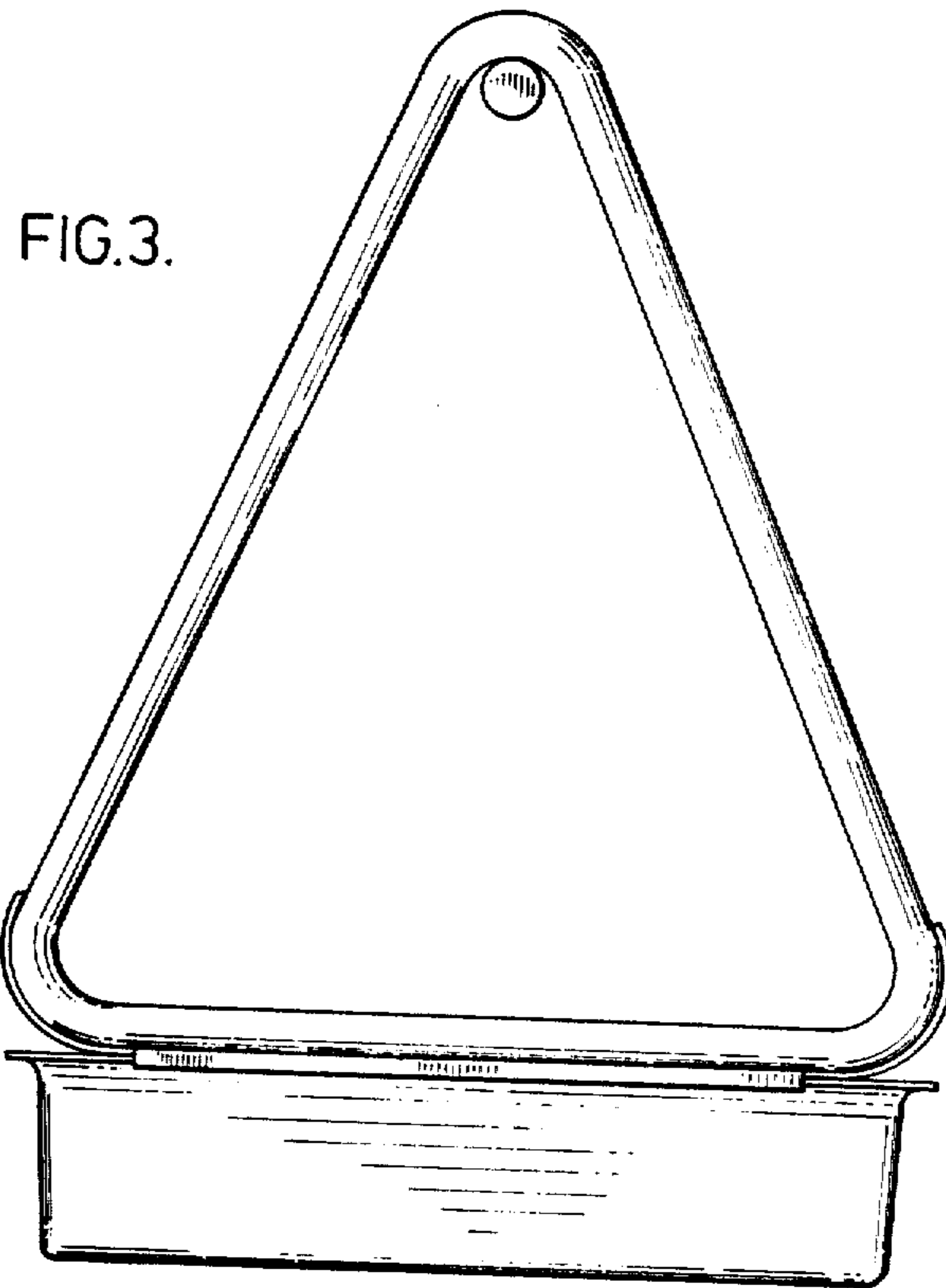


FIG.4.

