

[54] **DECORATIVE OIL LAMP**
 [75] Inventor: **Victor R. Despard, III**, Lancaster, Pa.
 [73] Assignee: **Kaadan, Limited**, Lancaster, Pa.
 [**] Term: **14 Years**
 [21] Appl. No.: **25,407**
 [22] Filed: **Mar. 30, 1979**
 [51] Int. Cl. **D26—05**
 [52] U.S. Cl. **D26/105**
 [58] Field of Search **D26/105, 106, 114, 115,**
 D26/116, 117, 118, 110, 111, 40; 362/159, 163,
 171, 172, 179, 180, 181, 347, 351; 431/298, 299,
 300, 302, 310, 311, 320

D. 160,813 11/1950 Scherr et al. D26/117
 D. 239,197 3/1976 Poston D26/40
 D. 246,932 1/1978 Nelson D26/105
 331,933 12/1885 Wright 431/299

OTHER PUBLICATIONS

Gifts and Decorative Accessories, 1-1976, p. 112 (top right), *Handled Whaler's Oil Lamp*.

Primary Examiner—Susan J. Lucas
Attorney, Agent, or Firm—C. Hercus Just

CLAIM

The ornamental design for a decorative oil lamp, as shown.

DESCRIPTION

FIG. 1 is a front elevation of my design for a decorative oil lamp.

FIG. 2 is a rear elevation thereof.

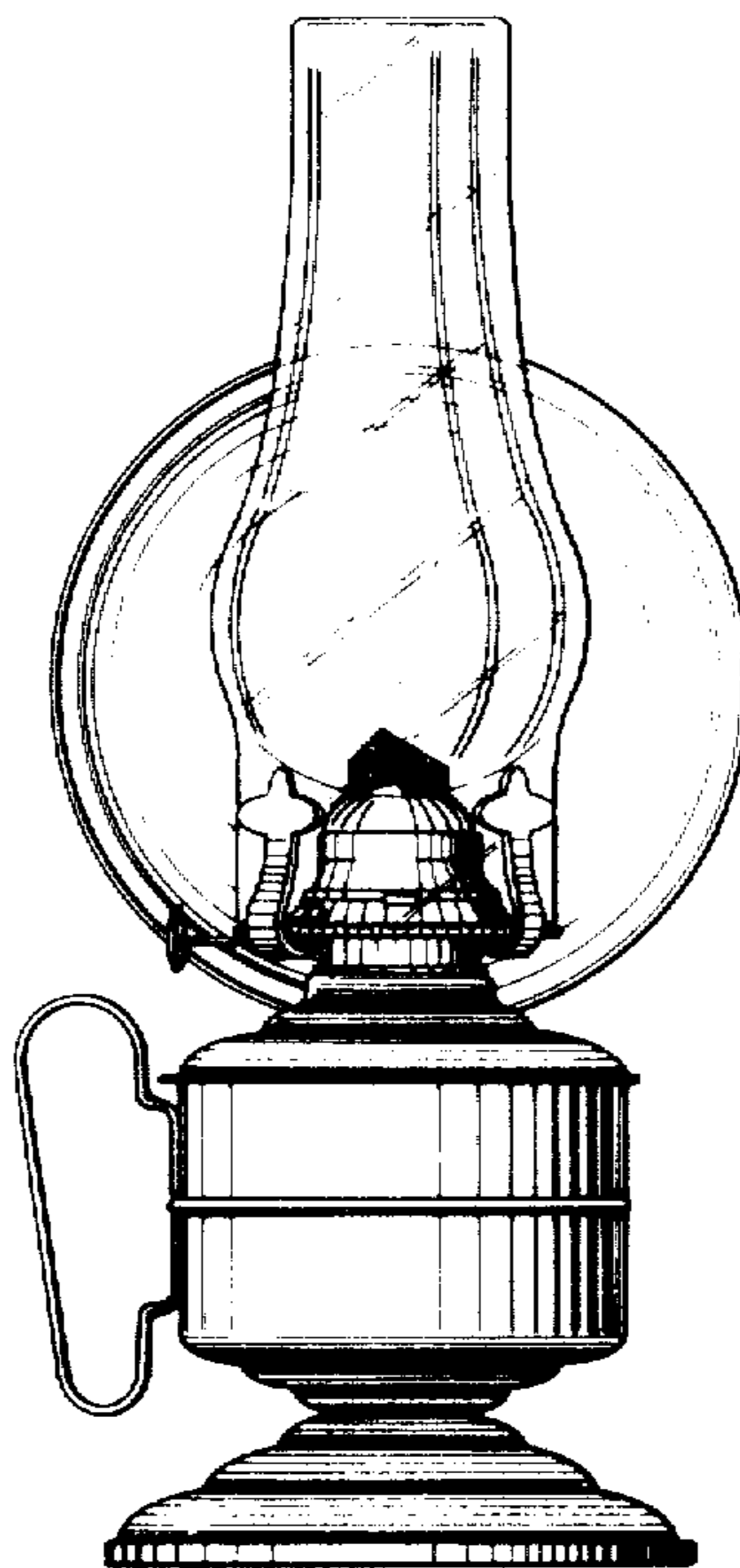
FIG. 3 is a side elevation thereof.

FIG. 4 is a side elevation thereof opposite that of FIG. 3.

FIG. 5 is a top plan view thereof.

FIG. 6 is a bottom plan view thereof.

[56] **References Cited**
U.S. PATENT DOCUMENTS
 D. 17,848 11/1887 Hull D26/110
 30,104 9/1860 Batchelder 362/347
 D. 80,050 12/1929 Raffaelli D26/106
 90,021 5/1869 Pone 362/351
 D. 96,482 8/1935 Knapp D26/117
 D. 100,099 6/1936 Furedy D26/111



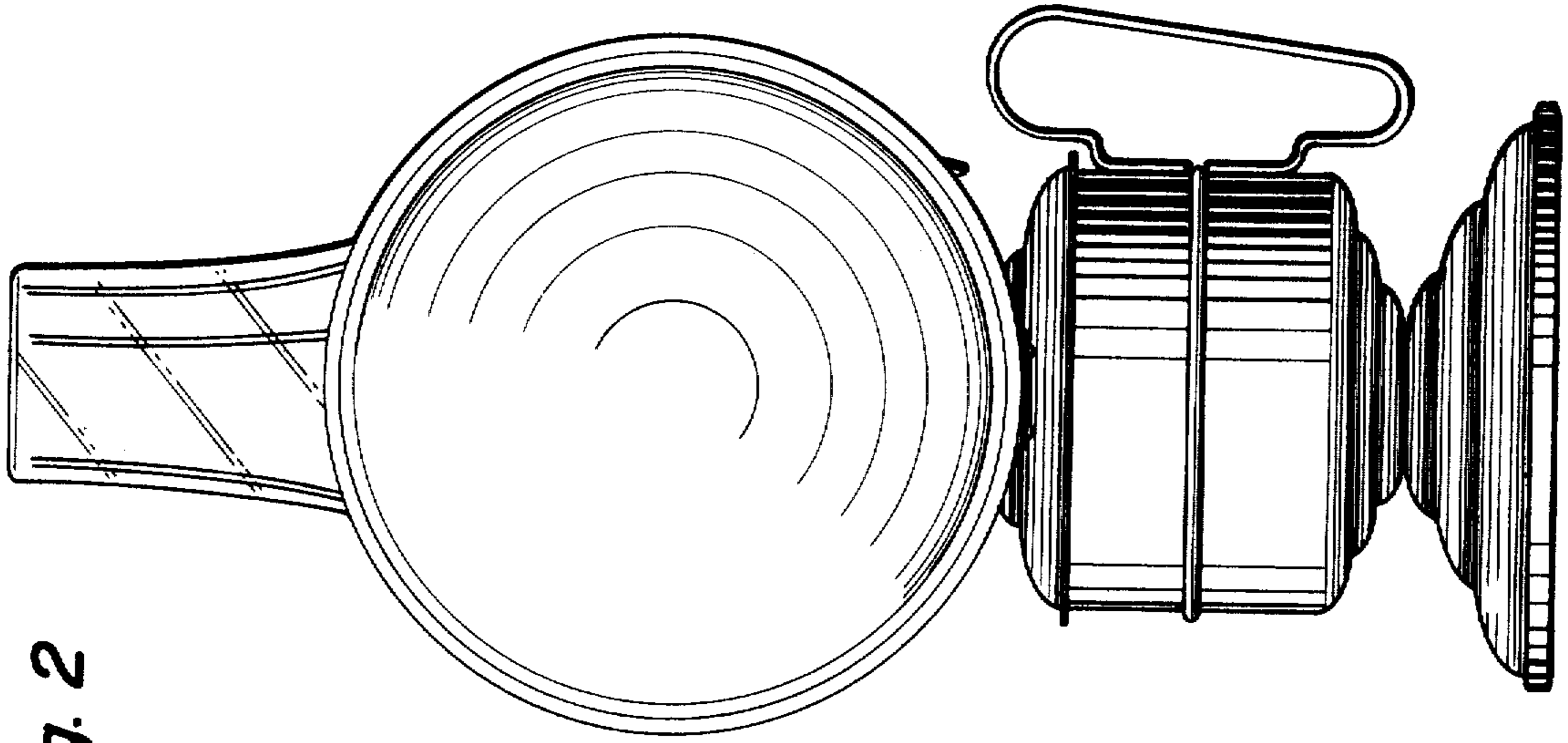


Fig. 2

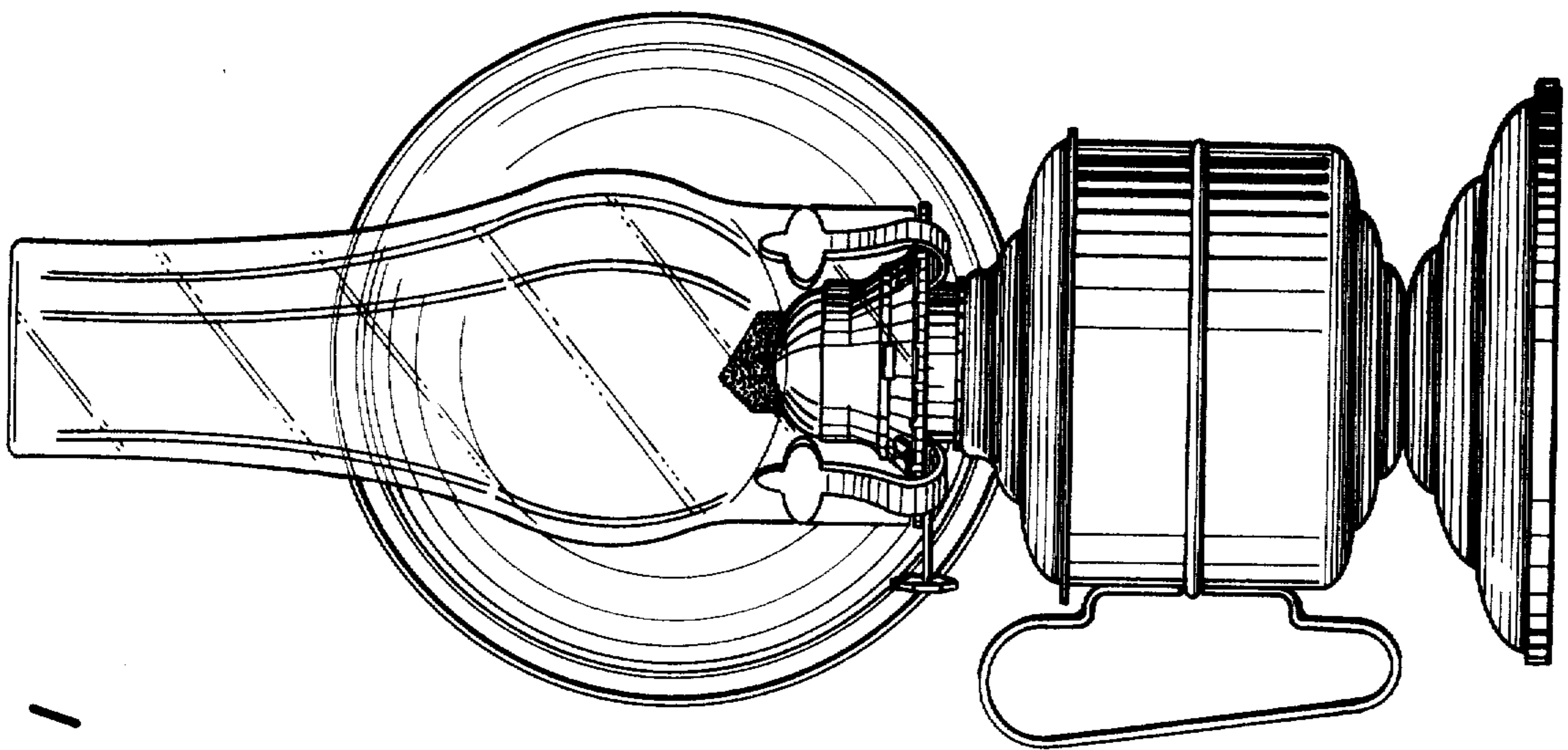


Fig. 1

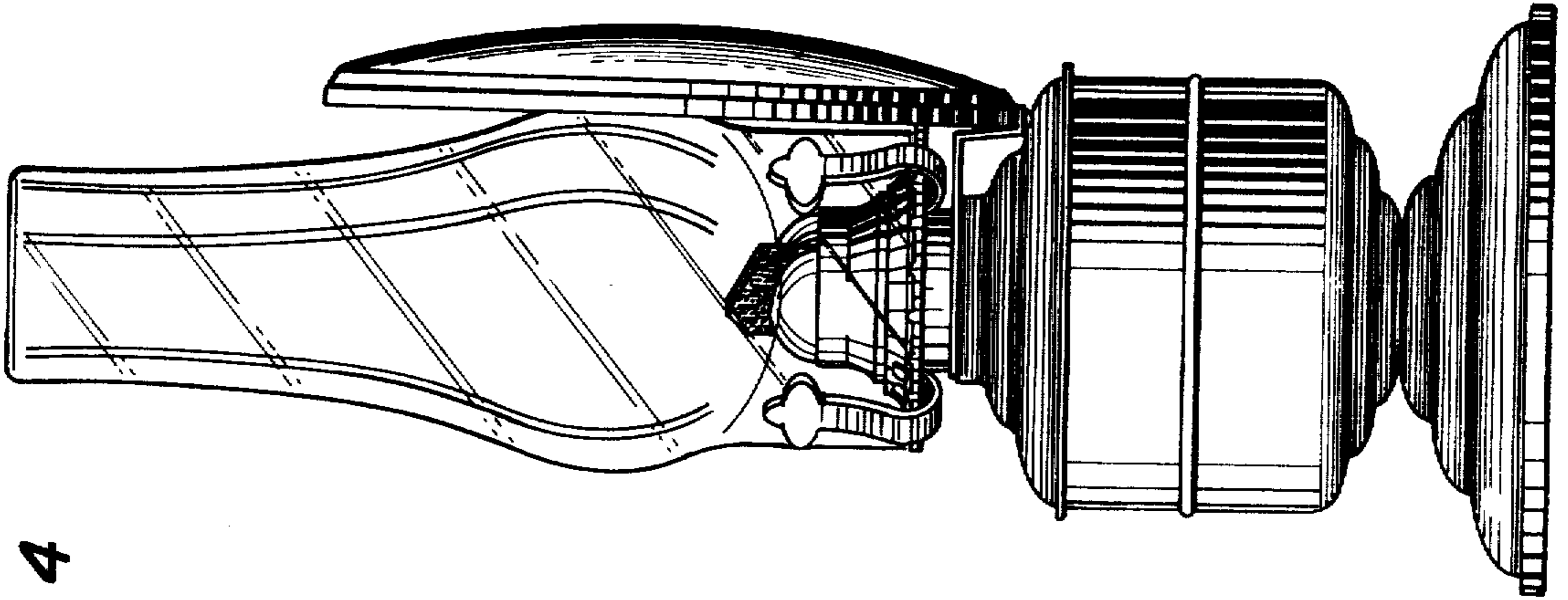


Fig. 4

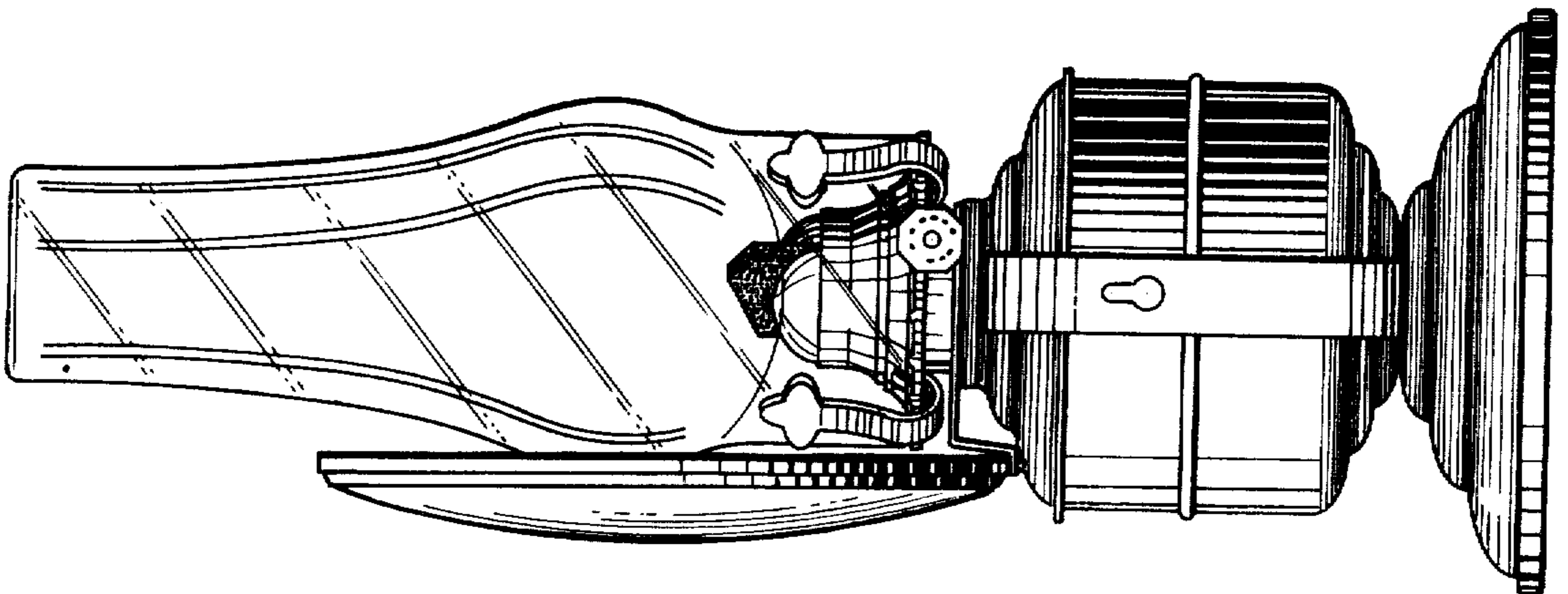


Fig. 3

Fig. 5

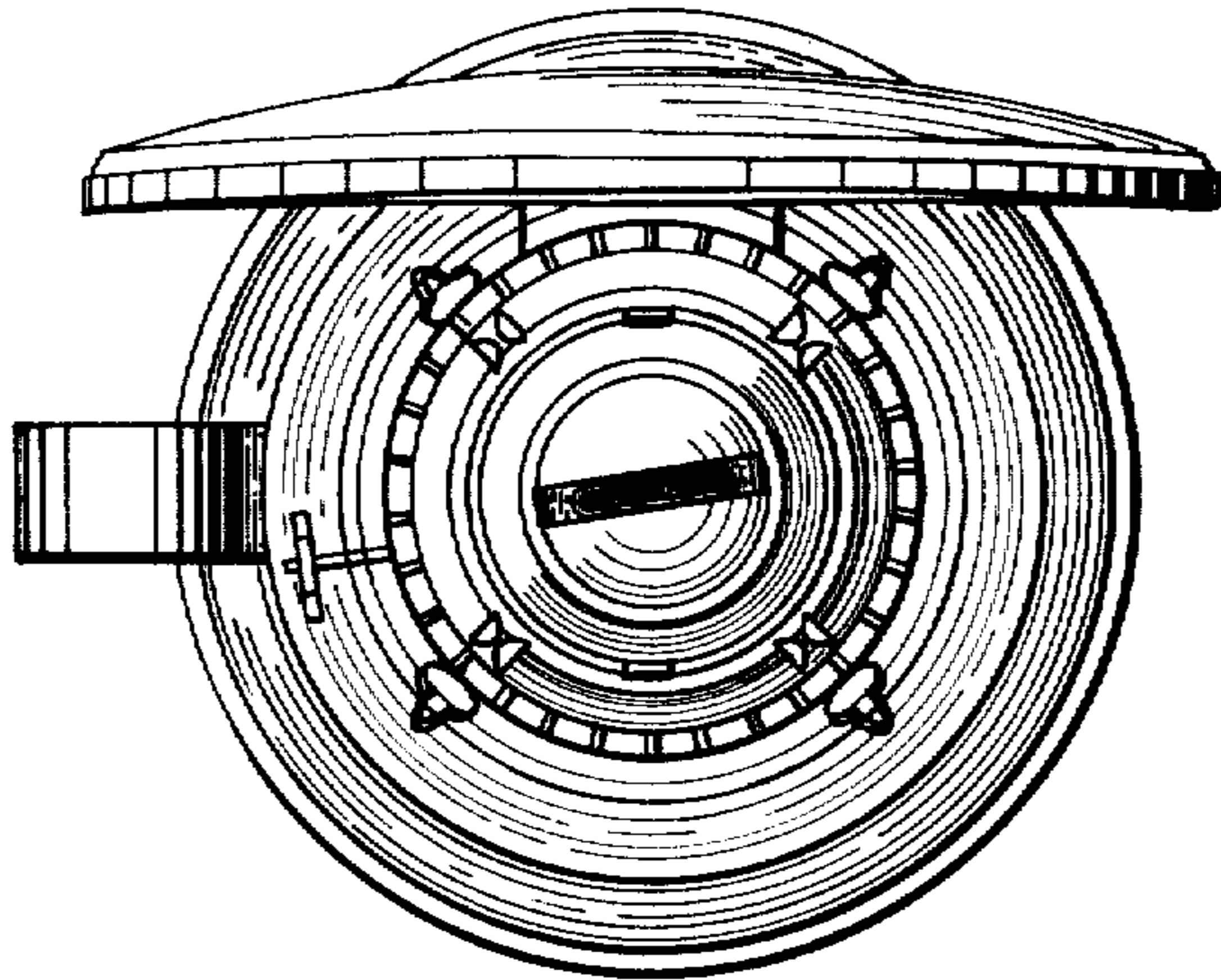


Fig. 6

