

[54] **COMBINED STOVE DOOR SUPPORTED THERMOSTAT AND DAMPER SHIELDING HOUSING WITH ACCESS SHIELDING LOWER BARRIER**

2,157,307 5/1939 Savage D23/92 UX
2,962,953 12/1960 Ashley et al. 239/556 X
3,111,075 11/1963 Hoyle et al. 98/40 X

[75] Inventor: **William H. Johnson**, Harrisonburg, Va.

[73] Assignee: **Shenandoah Manufacturing Co., Inc.**, Harrisonburg, Va.

[**] Term: **14 Years**

[21] Appl. No.: **57,331**

[22] Filed: **Jul. 13, 1979**

[51] Int. Cl. **D23-03**

[52] U.S. Cl. **D23/137; D23/127**

[58] Field of Search **D23/110, 111, 112, 115, D23/127, 92, 93; 98/114; 126/65, 285 R, 289, 290, 190; 220/75, 76; 239/556; 237/79**

[56] **References Cited**

U.S. PATENT DOCUMENTS

2,133,421 10/1938 Brown 126/65

OTHER PUBLICATIONS

Convectofin Bulletin 8 by Commodore Heaters Corp., p. 1, Cabinet illustration.

Primary Examiner—A. Hugo Word
Attorney, Agent, or Firm—Mason, Fenwick & Lawrence

[57] **CLAIM**

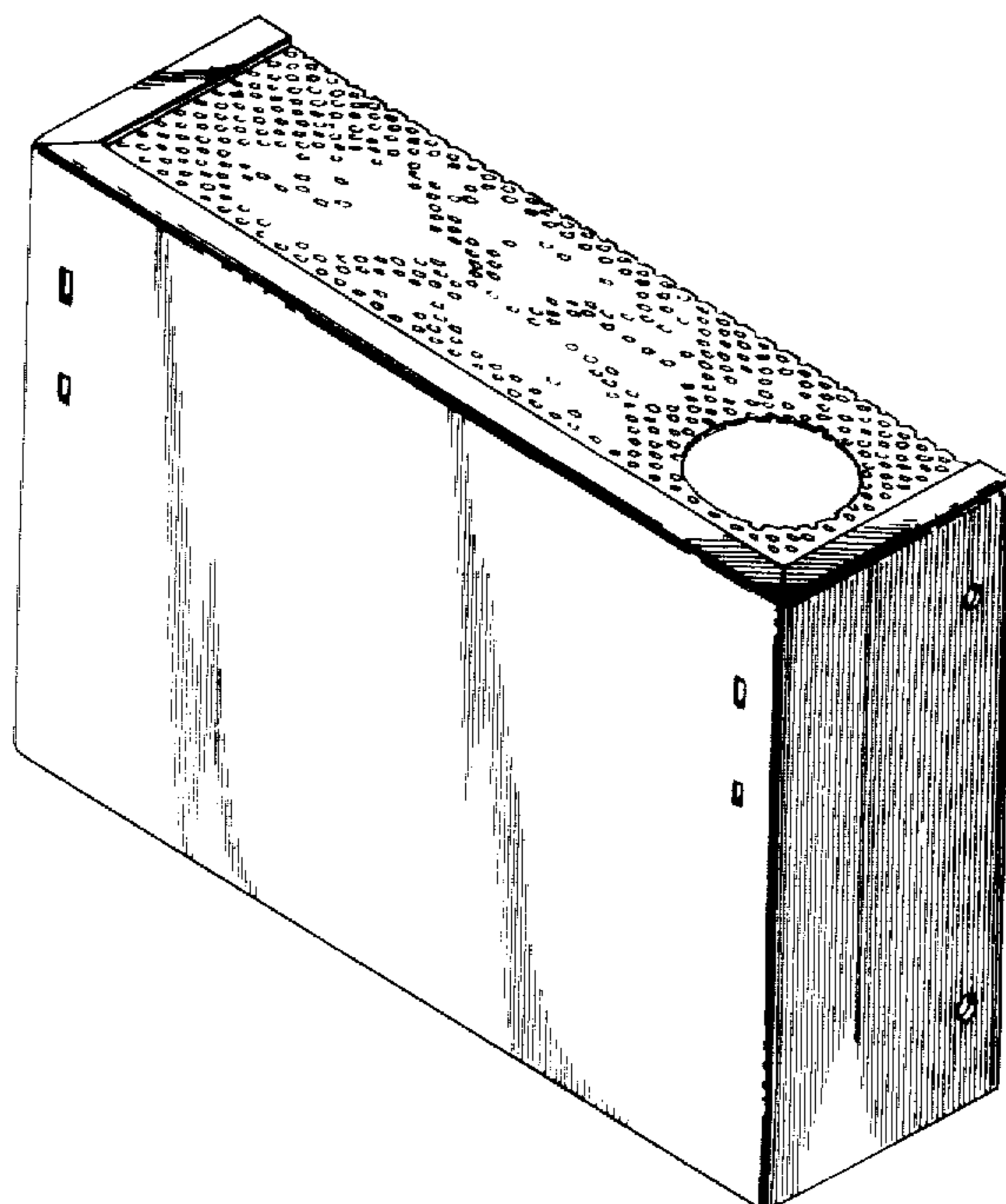
The ornamental design for a combined stove door supported thermostat and damper shielding housing with access shielding lower barrier, as shown and described.

DESCRIPTION

FIG. 1 is a front perspective view of a combined stove door supported thermostat and damper shielding housing with access shielding lower barrier embodying my new design, viewed from above and to the front of the housing;

FIG. 2 is a rear perspective view thereof, viewed from below and to the rear of the housing; and

FIG. 3 is a rear elevation view thereof.



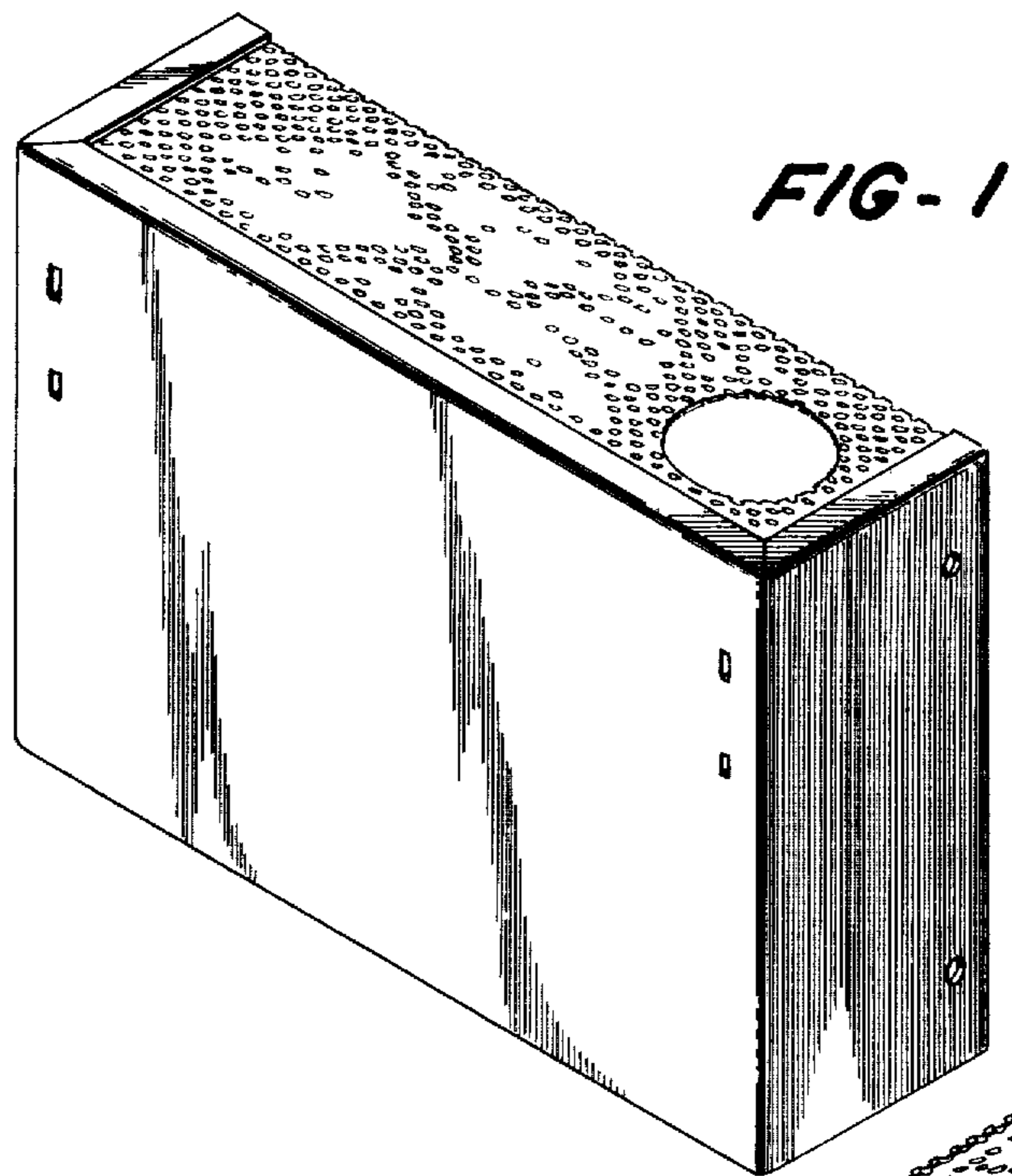


FIG-2

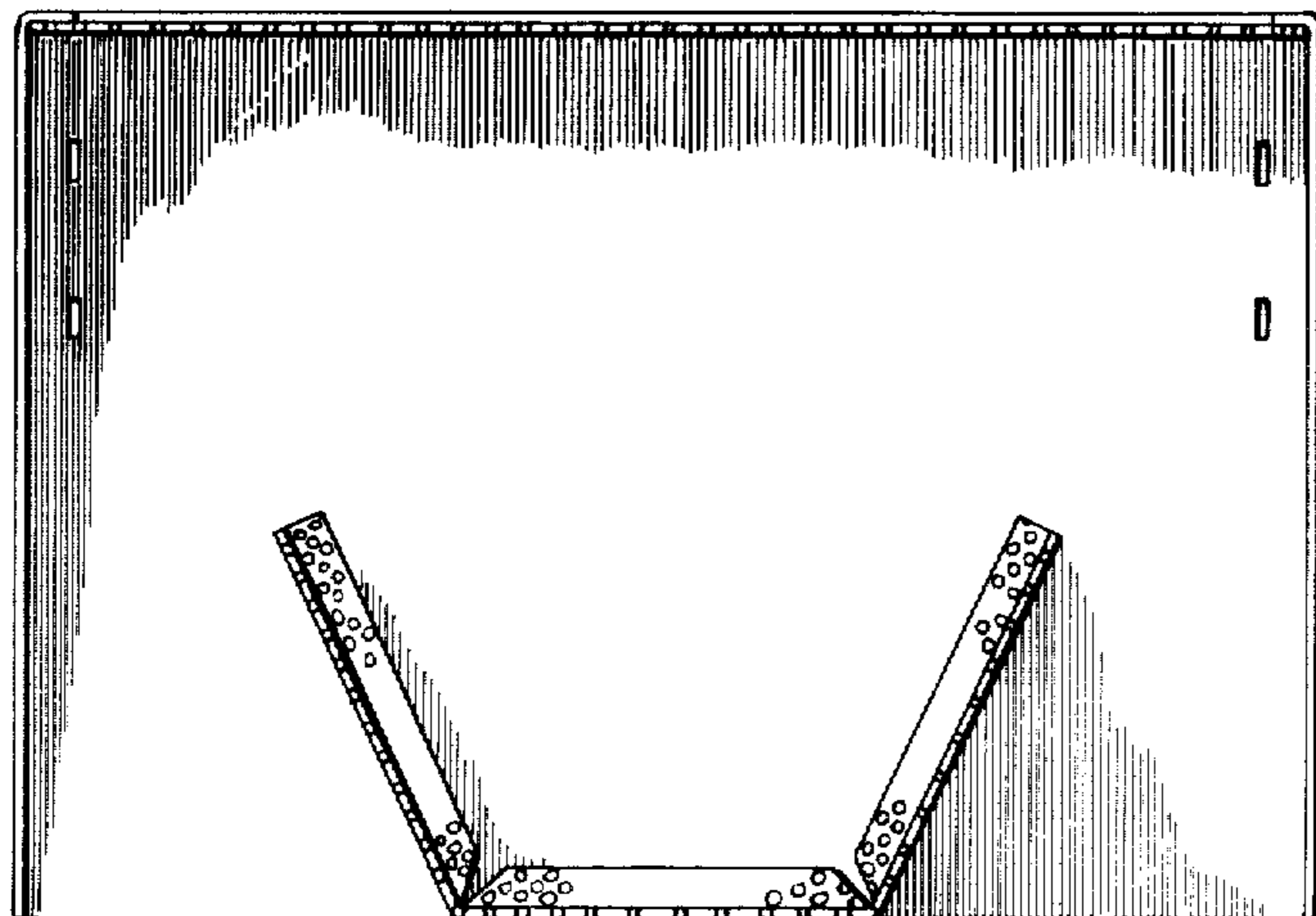
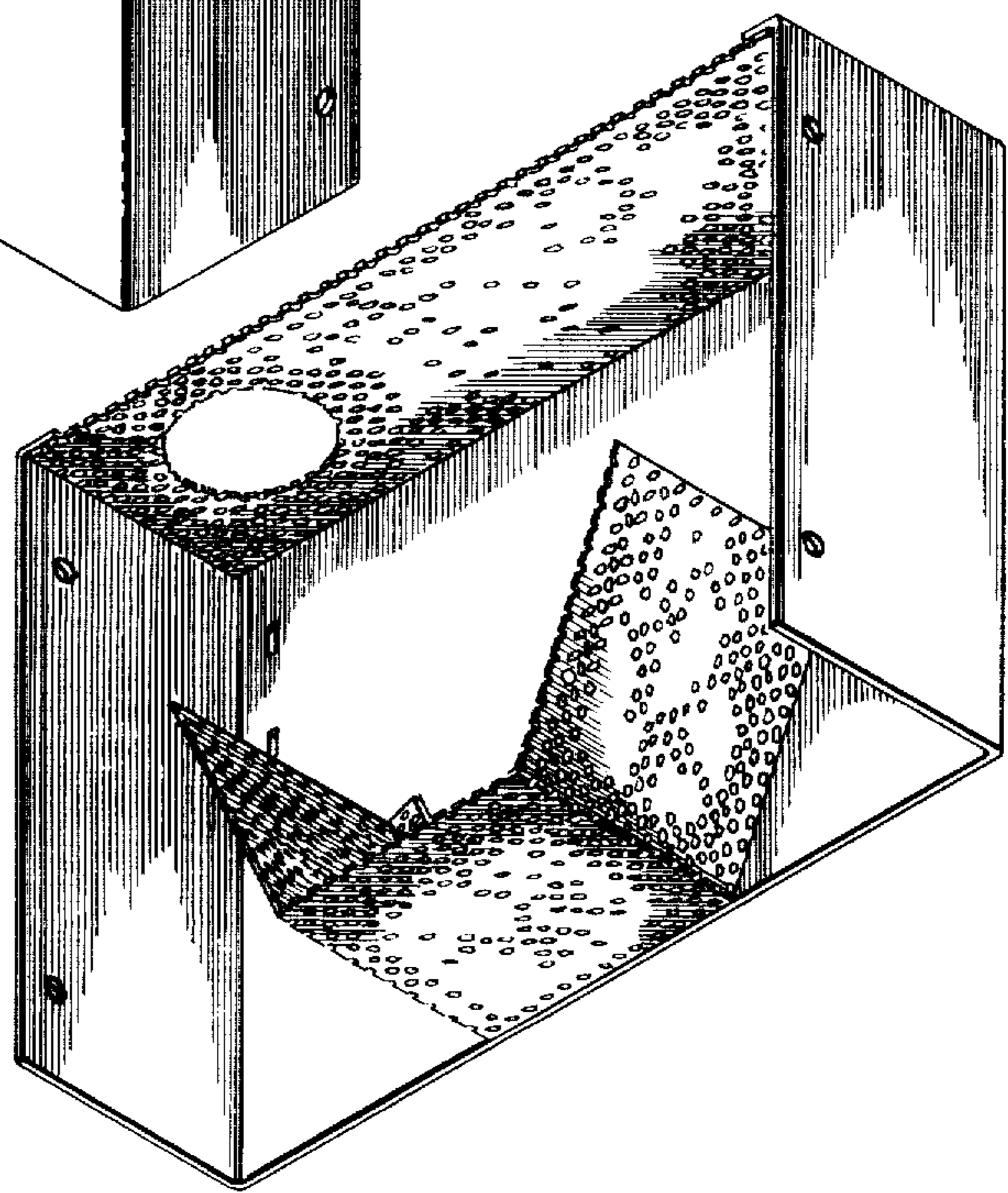


FIG-3