

[54] **LOW PROFILE FIREPLACE HEAT EXCHANGER**

[75] Inventors: **Thomas V. Metz**, Portland; **W. James Sirois**, Beaverton, both of Oreg.

[73] Assignee: **Pacific Fireplace Furnishings, Inc.**, Portland, Oreg.

[\*\*] Term: **14 Years**

[21] Appl. No.: **23,905**

[22] Filed: **Mar. 26, 1979**

[51] Int. Cl. .... **D23-03**

[52] U.S. Cl. .... **D23/95**

[58] Field of Search ..... **D7/206, 207; D23/93, D23/95, 97, 127; 126/120, 121, 163 R, 163 A, 164, 165**

[56] **References Cited**

**U.S. PATENT DOCUMENTS**

D. 253,067 10/1979 Hartley ..... D23/95

*Primary Examiner*—Catherine E. Kemper  
*Attorney, Agent, or Firm*—Chernoff & Vilhauer

[57] **CLAIM**

The ornamental design for a low profile fireplace heat exchanger, as shown and described.

**DESCRIPTION**

FIG. 1 is a perspective view of a low profile fireplace heat exchanger showing our new design;

FIG. 2 is a plan view thereof;

FIG. 3 is a side elevational view, the opposite side being a mirror image thereof;

FIG. 4 is a front elevational view thereof;

FIG. 5 is a rear elevational view thereof; and

FIG. 6 is a bottom view thereof.

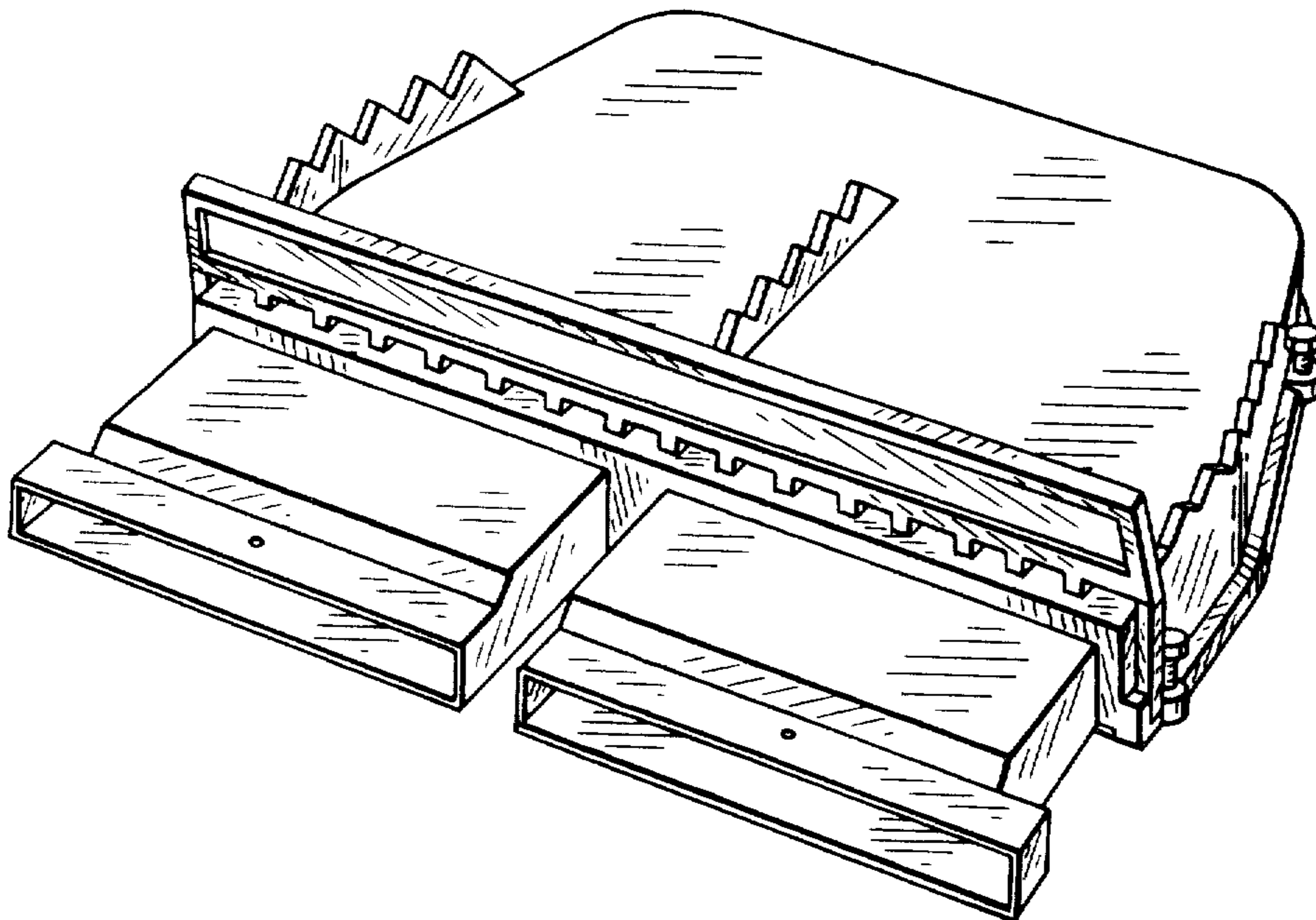


FIG. 1

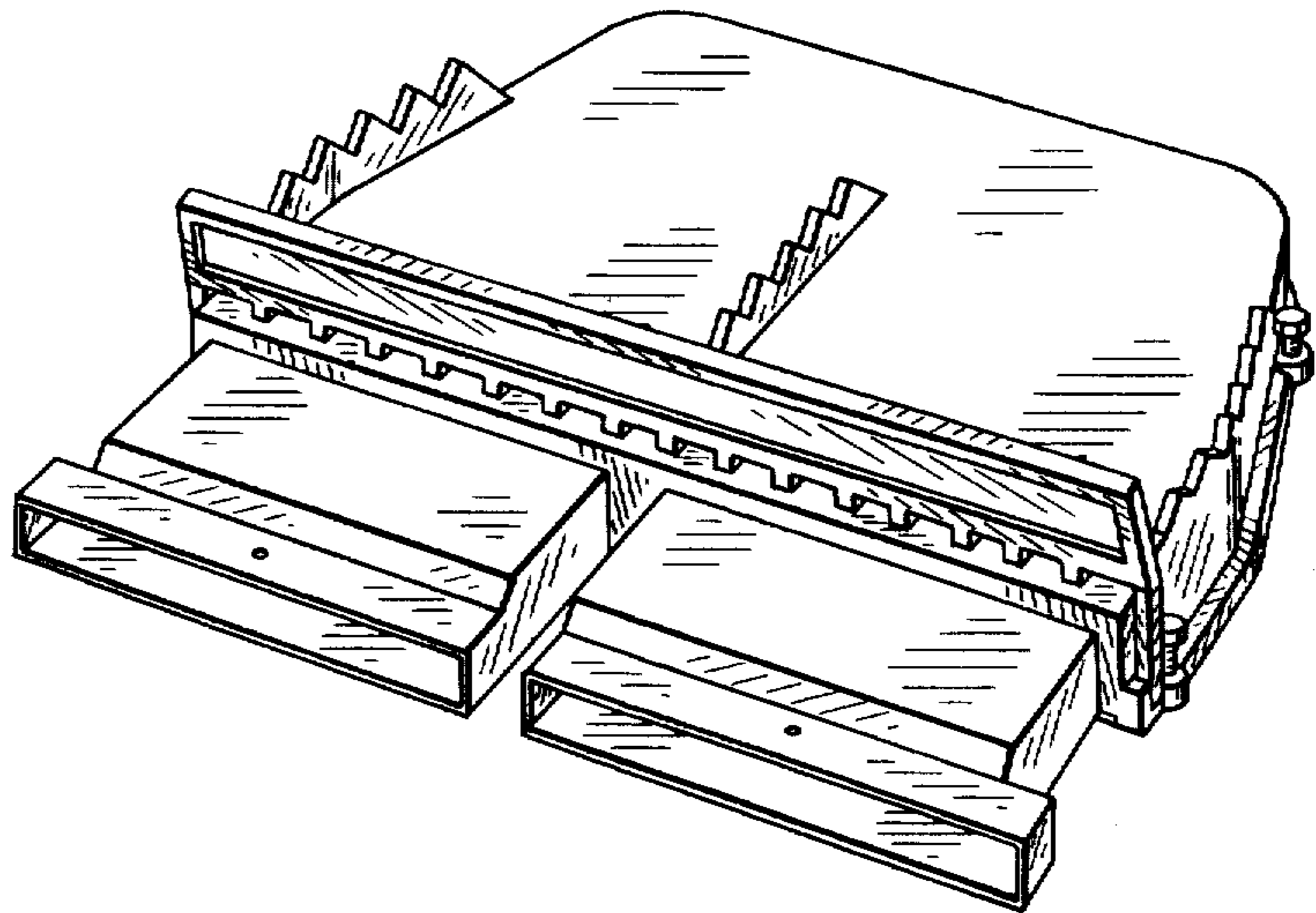


FIG. 2

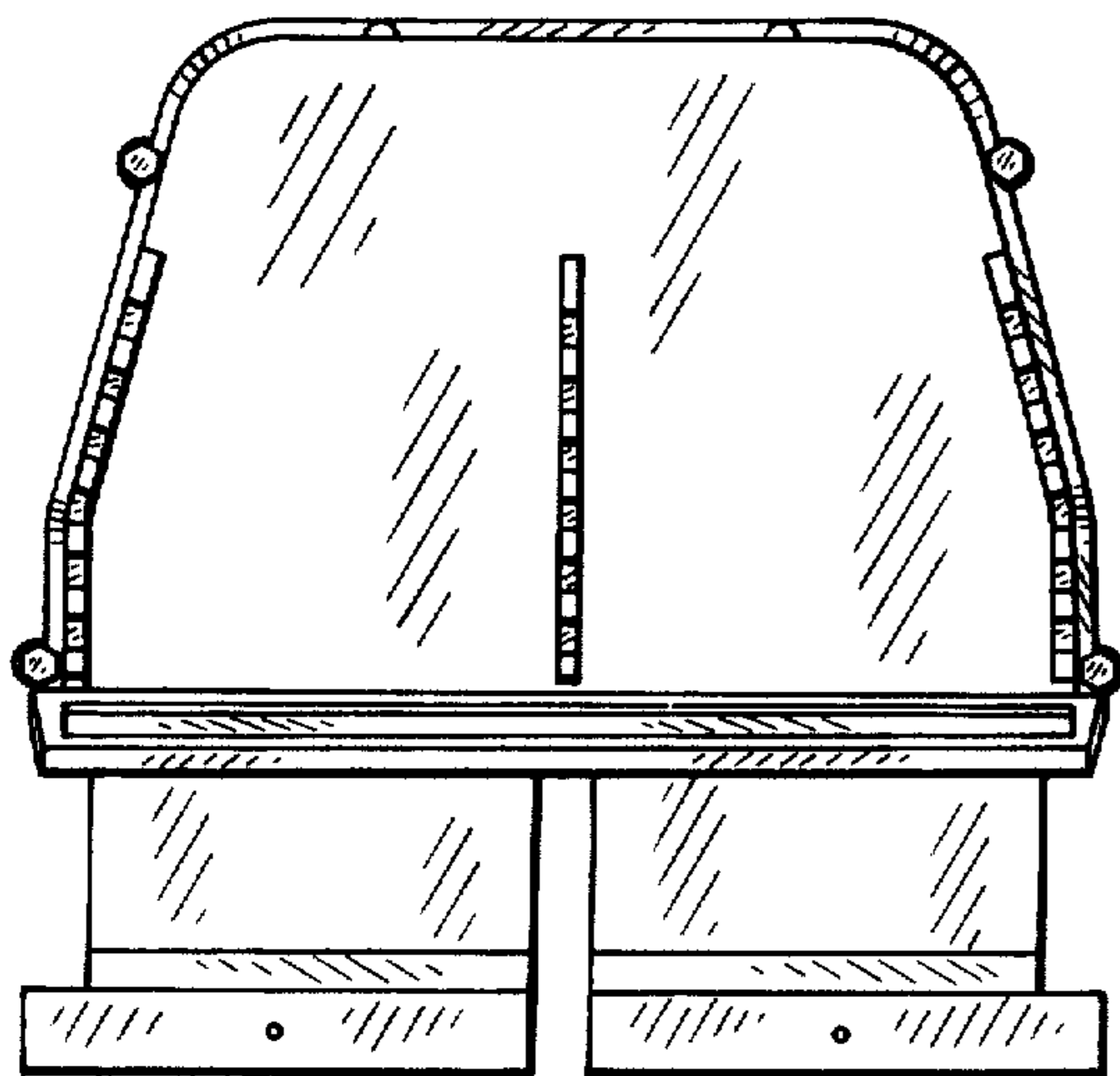


FIG. 3

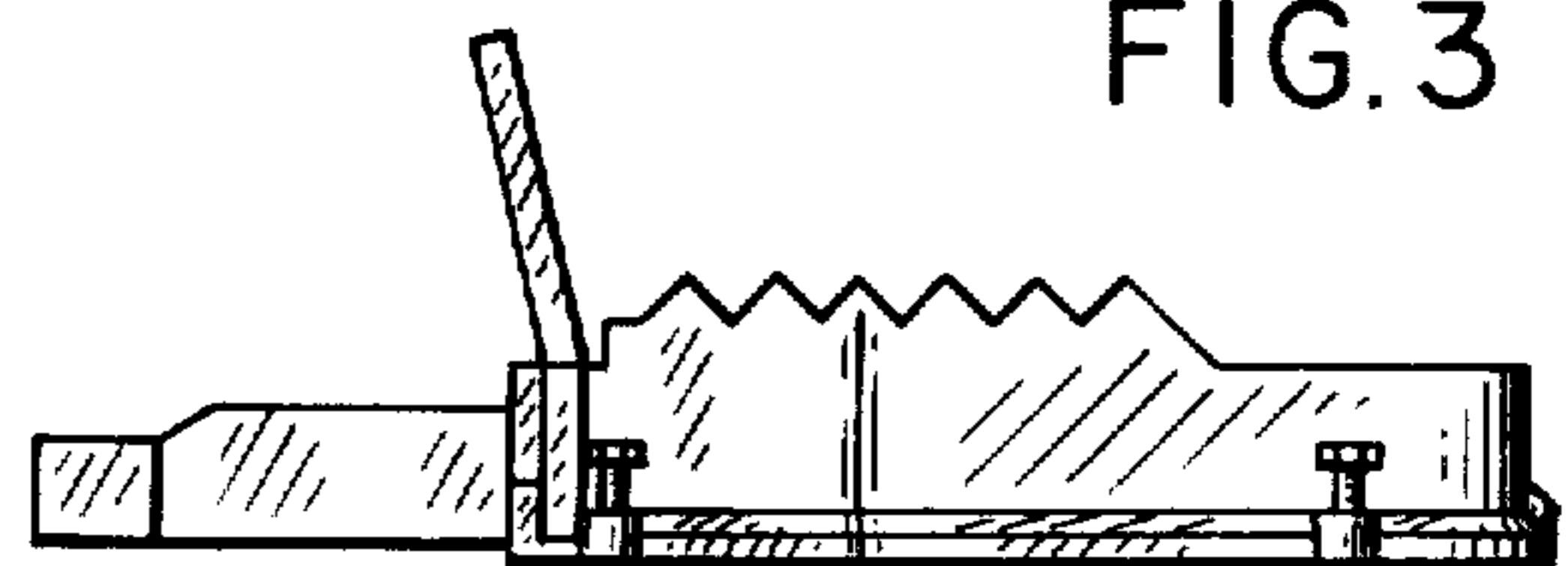


FIG. 4

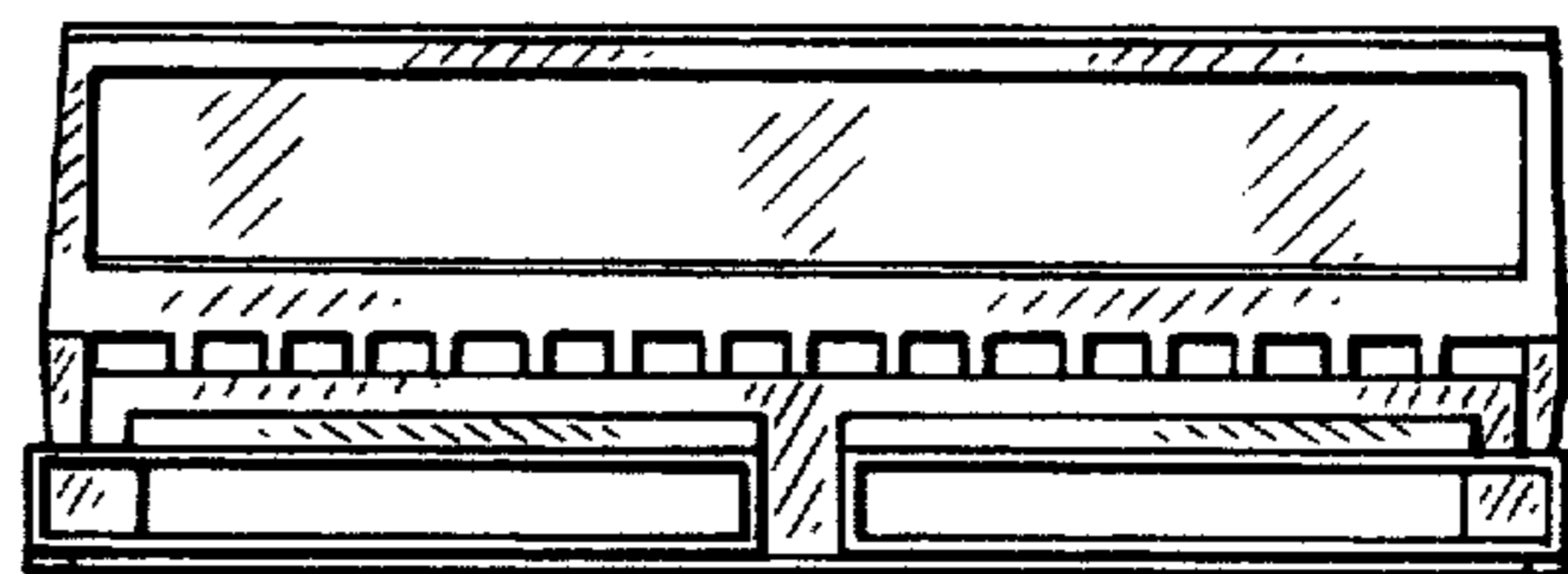


FIG. 5

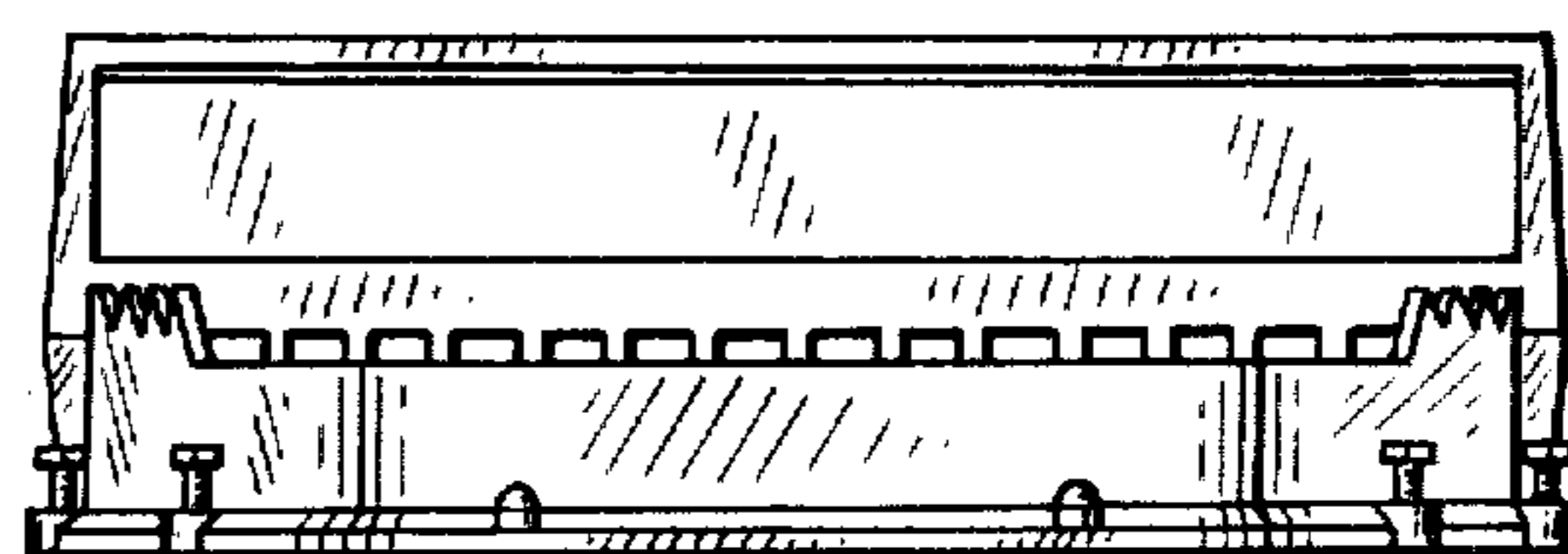


FIG. 6

