

[54] **PIPE COUPLING ADAPTER FLANGE**

[75] **Inventor:** Charles W. Roche, Shrewsbury, Mass.

[73] **Assignee:** Uni-Flange Corporation, Northboro, Mass.

[**] **Term:** 14 Years

[21] **Appl. No.:** 97,353

[22] **Filed:** Nov. 26, 1979

[51] **Int. Cl.** D23-01

[52] **U.S. Cl.** D23/43

[58] **Field of Search** D23/40, 43, 44, 45;
 285/368, 373, 412, 414, 419, 423

[56] **References Cited**

U.S. PATENT DOCUMENTS

D. 168,928	3/1953	English	D23/43
D. 245,704	9/1977	Dyrup	D23/44
1,186,621	6/1916	Townsend	285/363

2,258,190	10/1941	Neilon	285/412 X
2,402,868	6/1946	Boylo	285/336
2,507,261	5/1950	Mercier	285/368 X
3,004,780	10/1961	Main	285/242
3,135,538	6/1964	George	285/363
3,498,643	3/1970	Reiss	285/412 X
3,627,357	12/1971	Sanders	285/343 X
4,183,560	1/1980	Wyss	285/368 X

Primary Examiner—James R. Largen
Attorney, Agent, or Firm—Norman S. Blodgett; Gerry A. Blodgett

[57] **CLAIM**

The ornamental design for a pipe coupling adapter flange, as shown.

DESCRIPTION

FIG. 1 is a front perspective view of a pipe coupling adapter flange showing my new design;
 FIG. 2 is a rear elevational view thereof;
 FIG. 3 is a front elevational view thereof;
 FIG. 4 is a top plan view thereof, and
 FIG. 5 is a left side elevational view thereof.

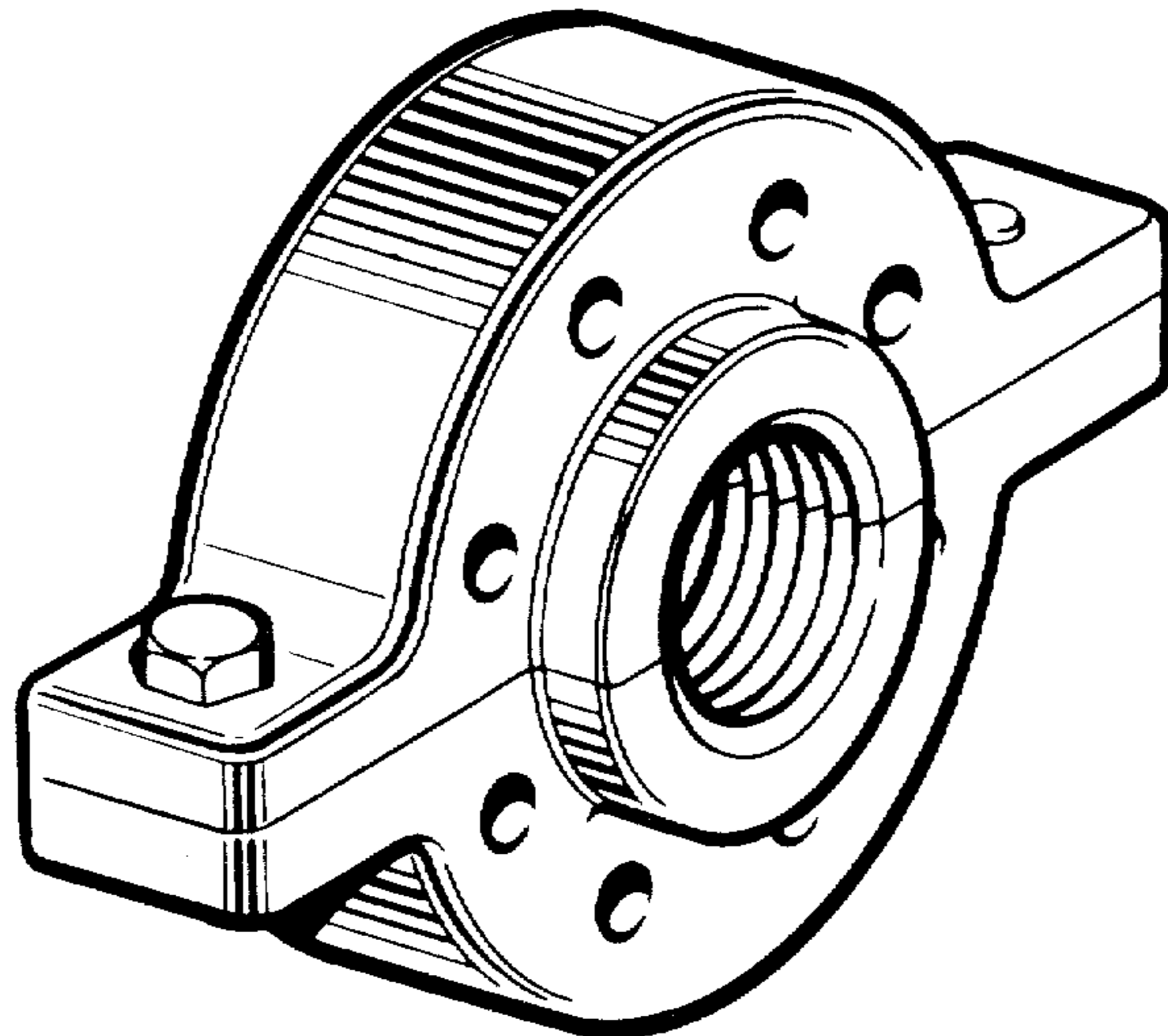


FIG. 1.

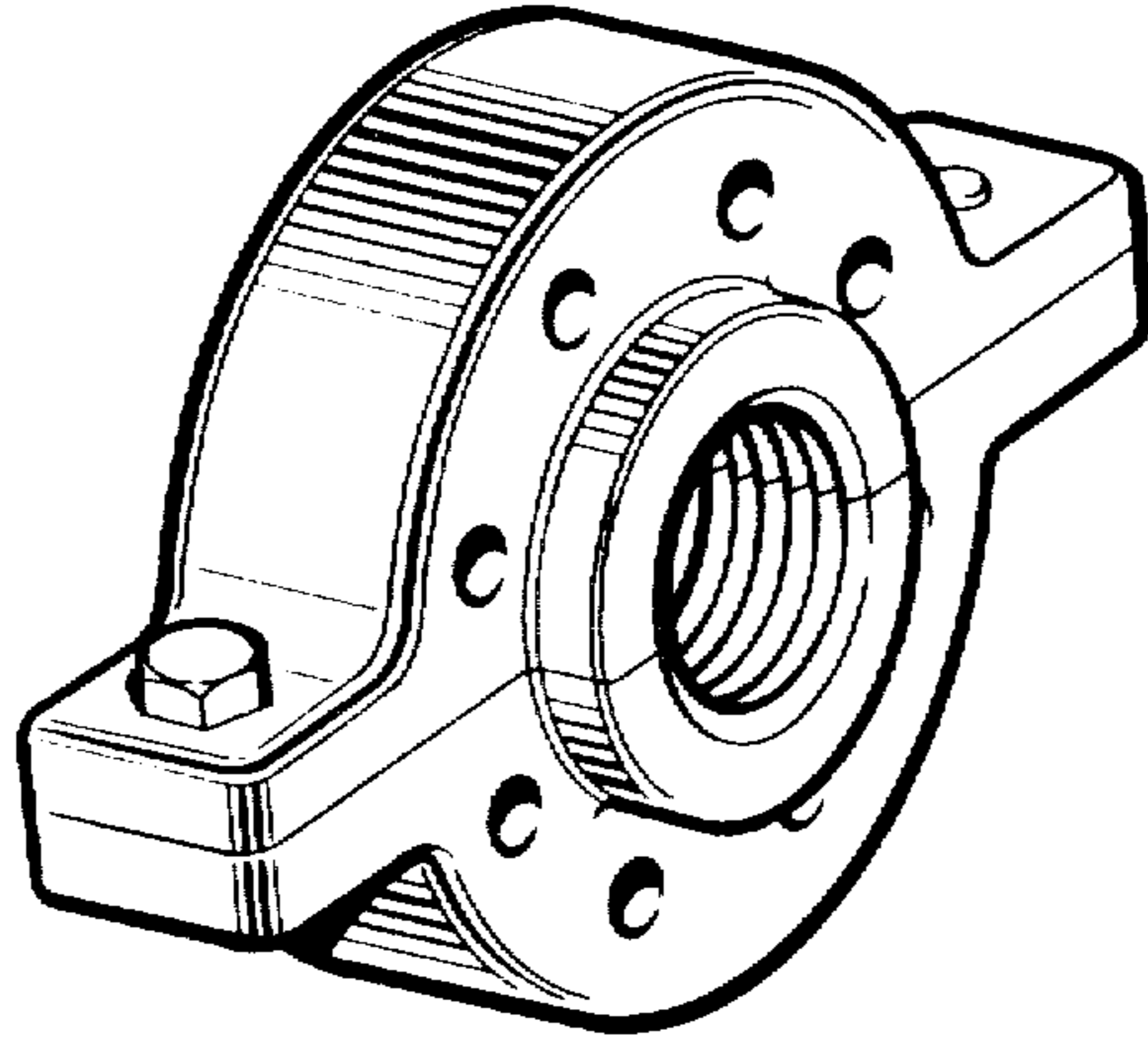


FIG. 2.

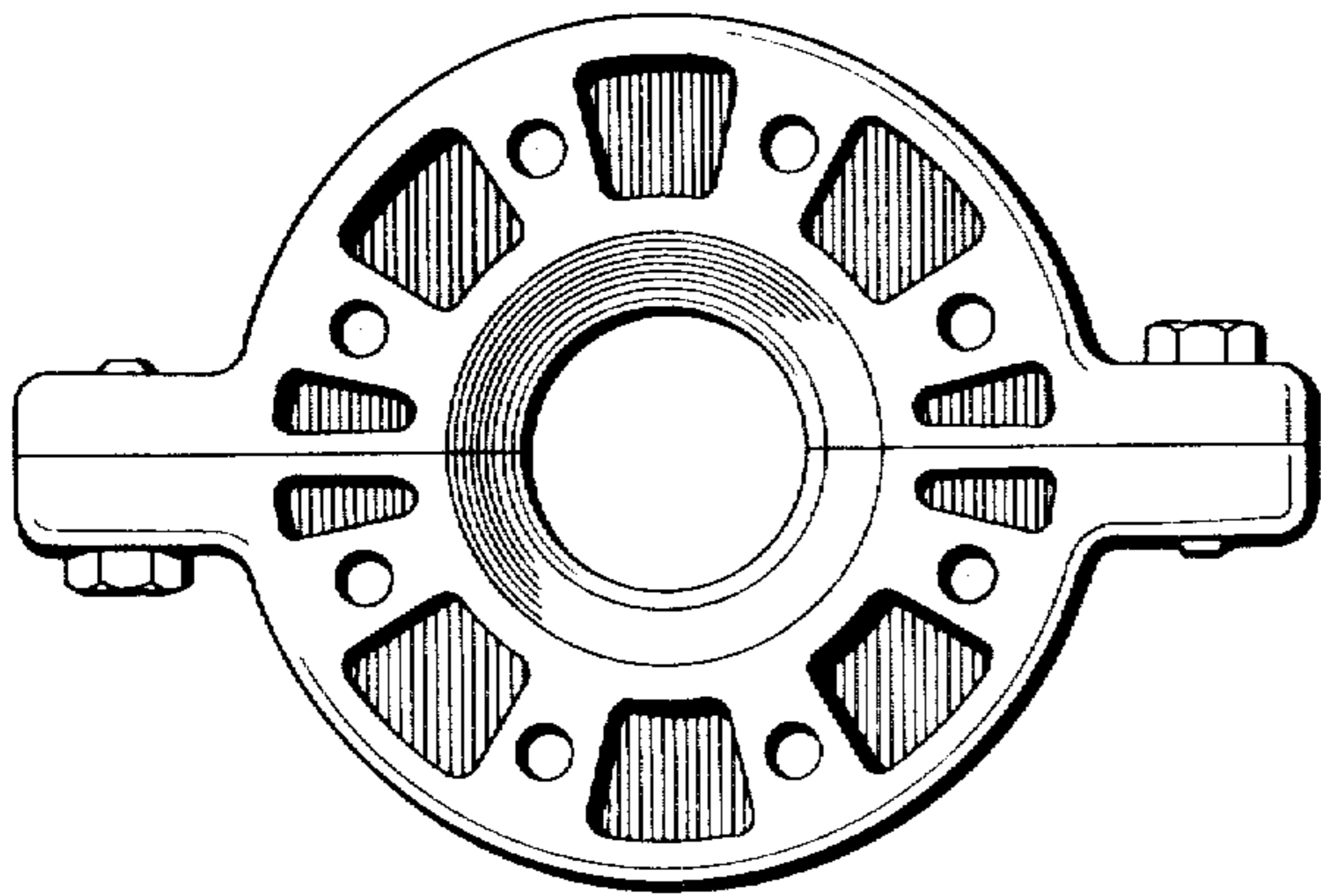


FIG. 3.

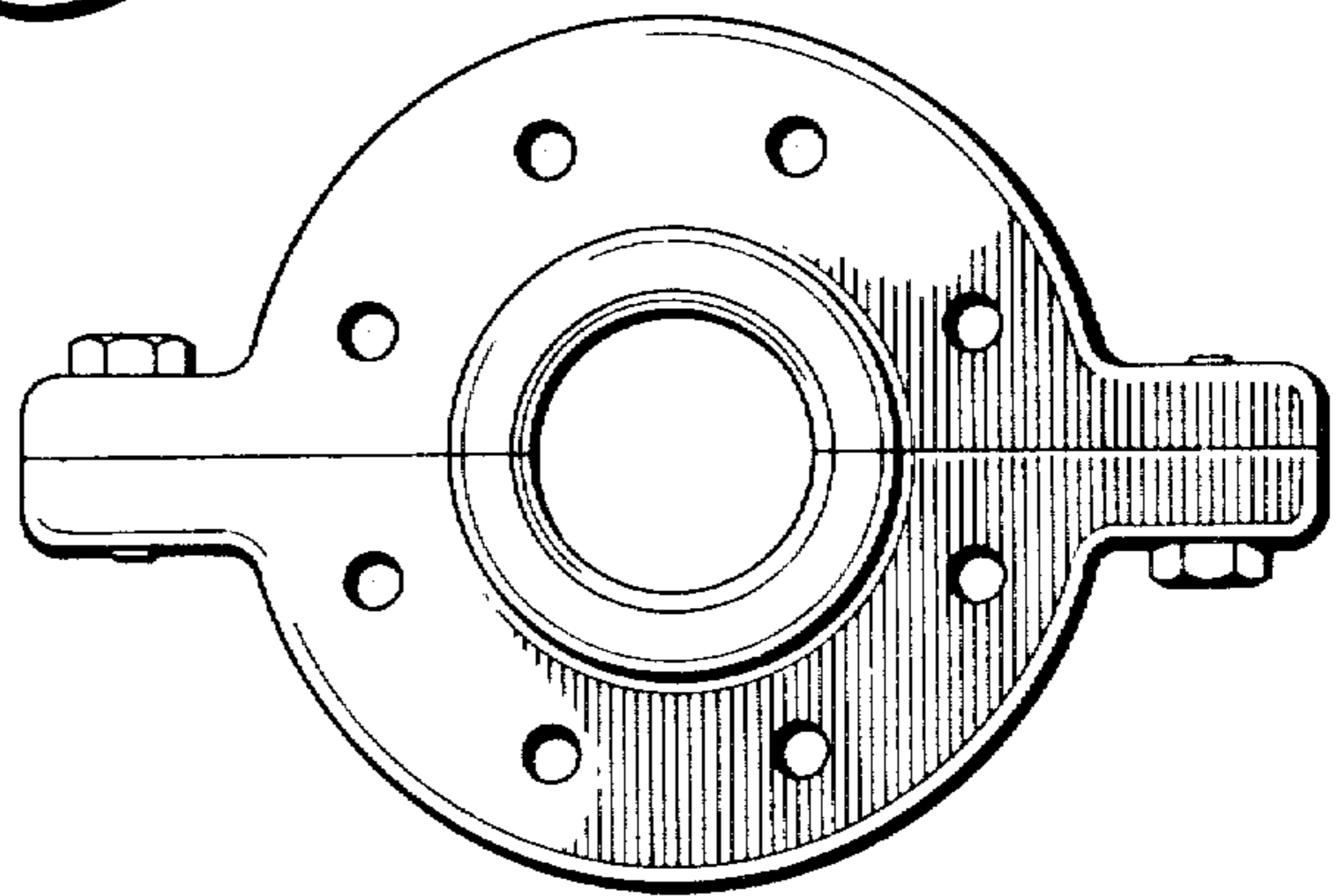


FIG. 4.

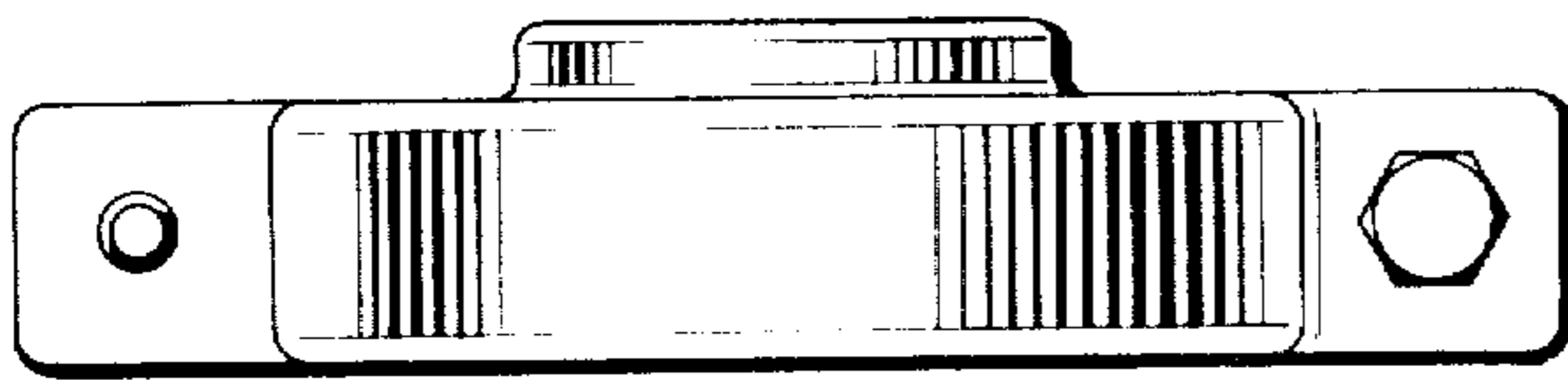


FIG. 5.

