

[54] HANDGUN

[75] Inventor: Robert Hillberg, Cheshire, Conn.

[73] Assignee: COP, Inc., Torrance, Calif.

[**] Term: 14 Years

[21] Appl. No.: 111,584

[22] Filed: Jan. 14, 1980

[51] Int. Cl. D22-01

[52] U.S. Cl. D22/1

[58] Field of Search D22/1; 42/7, 14, 71 P,
42/76 R, 77, 78

[56] References Cited

U.S. PATENT DOCUMENTS

D. 234,459	3/1975	Lichtman	D22/1
D. 249,800	10/1978	Yates et al.	D22/1
3,525,323	8/1970	Carbonnean	D22/1 X

OTHER PUBLICATIONS

Guns & Ammo, Dec. 1974, p. 27, four-barrel gun illustration.

Primary Examiner—A. Hugo Word
Attorney, Agent, or Firm—McCormick, Paulding & Huber

[57] CLAIM

The ornamental design for a handgun, as shown and described.

DESCRIPTION

FIG. 1 is a side elevational view of a handgun showing my new design, the opposite side elevational view being substantially identical;

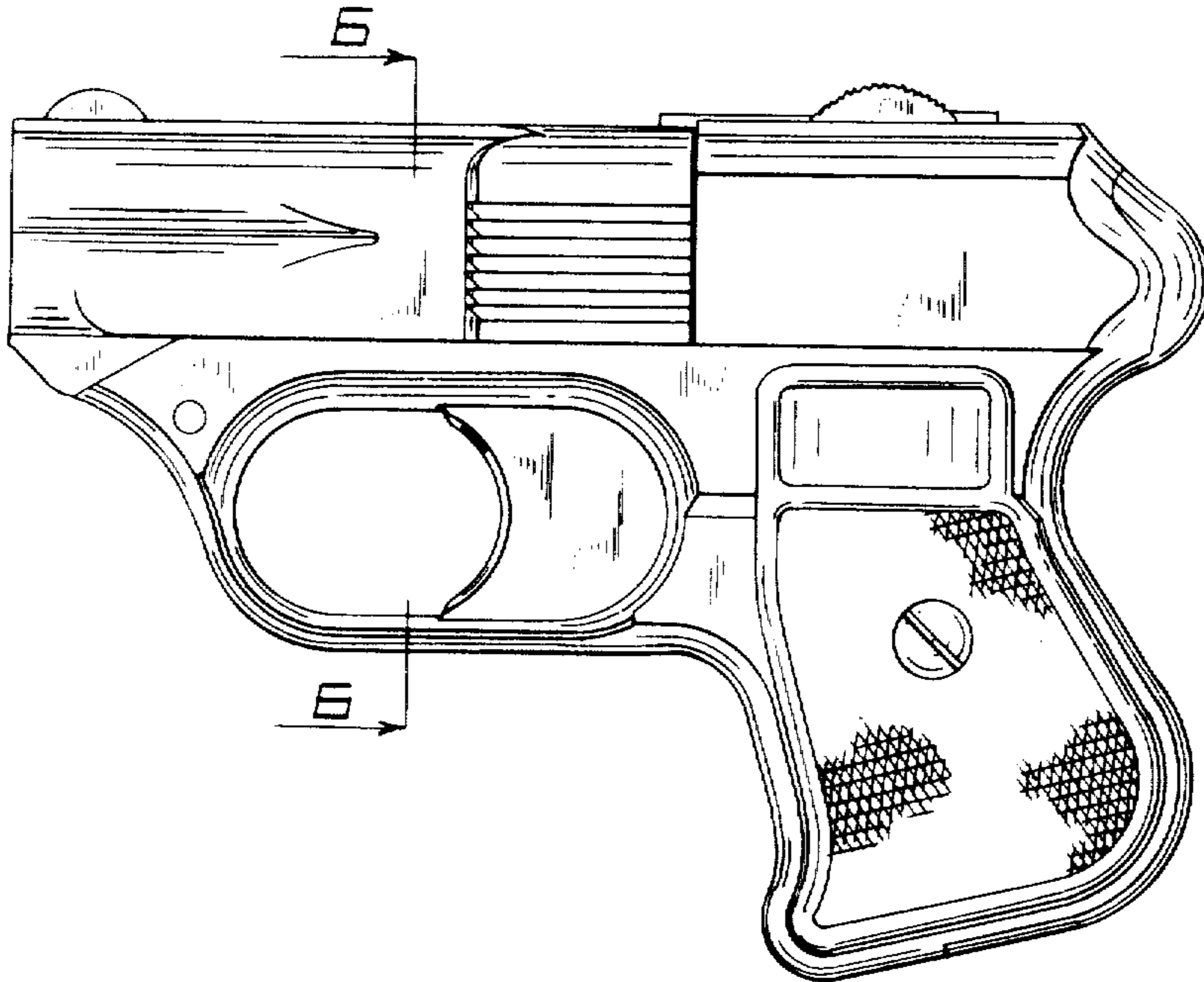
FIG. 2 is a front elevational view of the handgun of FIG. 1 looking from the left of FIG. 1;

FIG. 3 is a rear elevational view of the handgun of FIG. 1 looking from the right of FIG. 1;

FIG. 4 is a top plan view of the handgun of FIG. 1;

FIG. 5 is a bottom plan view of the handgun of FIG. 1; and

FIG. 6 is a sectional view on the line 6-6 of FIG. 1.



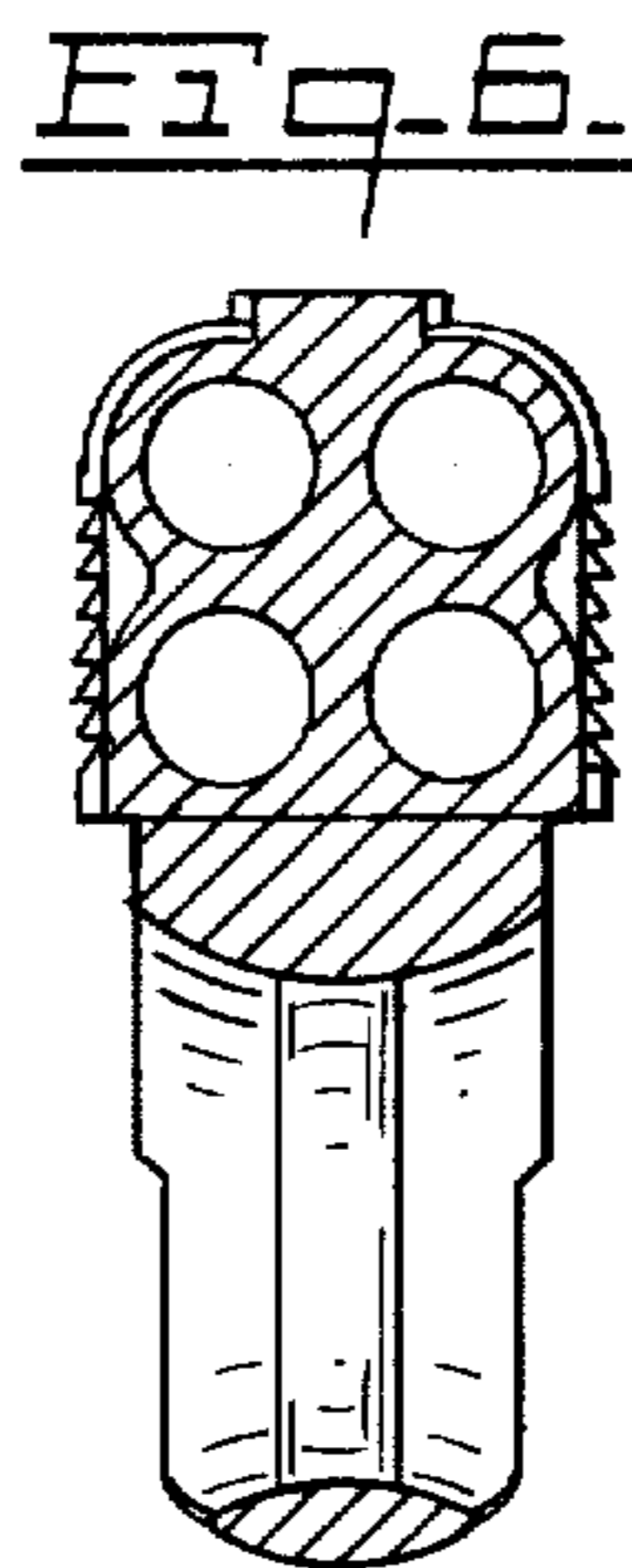
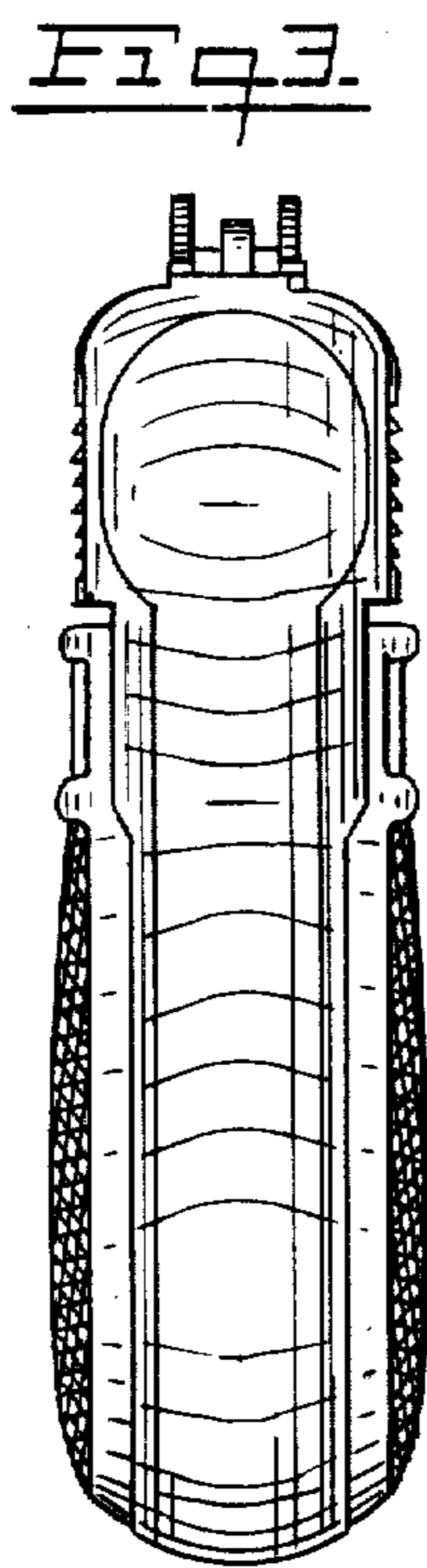
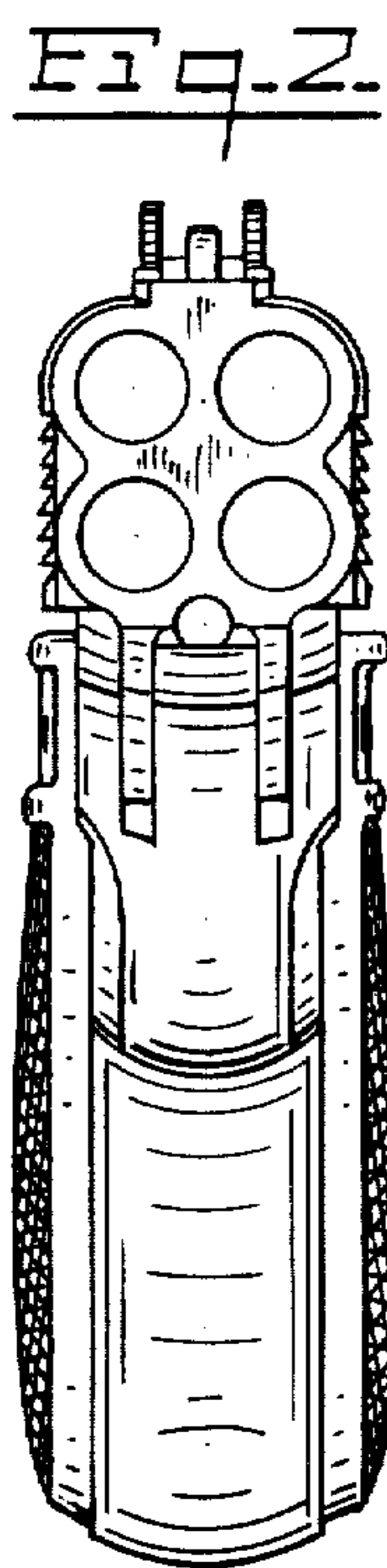
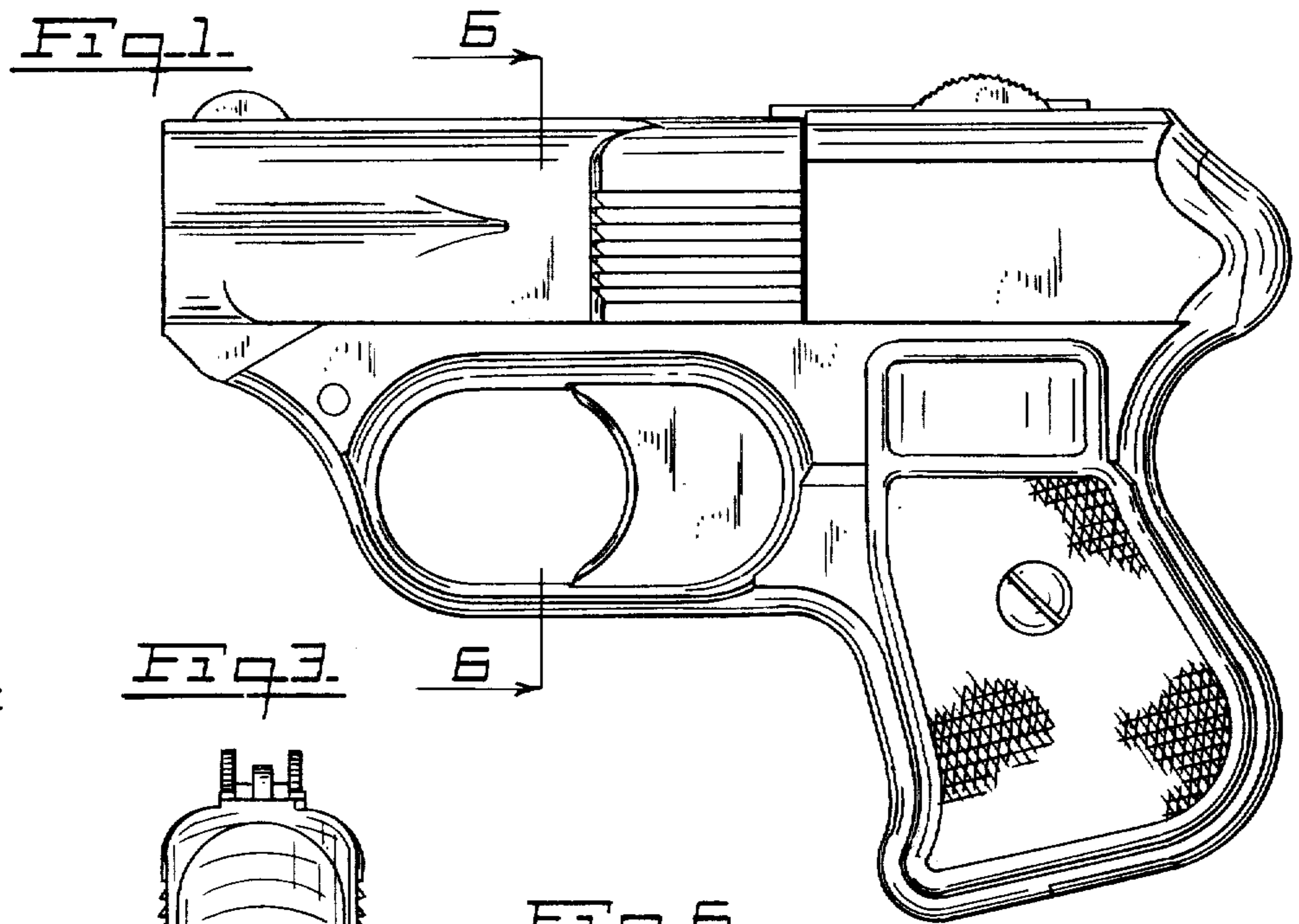


Fig. 4.

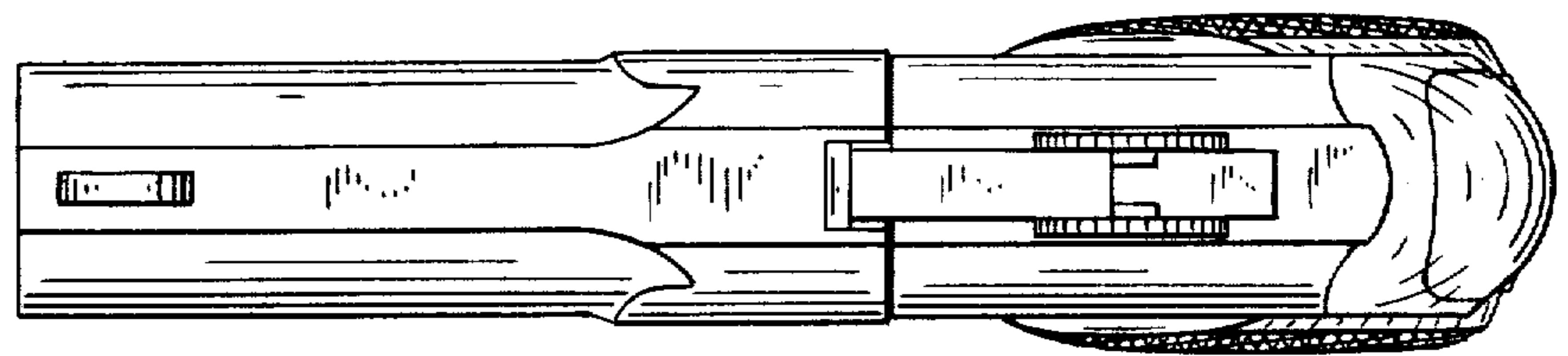


Fig. 5.

