

- [54] BILLIARD BALL GAME TARGET
- [75] Inventor: Stanley F. Davis, Auckland, New Zealand
- [73] Assignee: Vitelle Holdings Limited, Auckland, New Zealand
- [**] Term: 14 Years
- [21] Appl. No.: 58,290
- [22] Filed: Jul. 17, 1979
- [30] Foreign Application Priority Data
Apr. 12, 1979 [NZ] New Zealand 190178
- [51] Int. Cl. D21-01
- [52] U.S. Cl. D21/232; D21/8
- [58] Field of Search D21/232, 7, 8; 273/14, 273/2, 127 R, 127 B; 46/43

- [56] References Cited
U.S. PATENT DOCUMENTS
613,876 11/1898 Beman 273/127 B
1,554,768 9/1925 Stoddart 273/127 B
1,870,752 8/1932 Reihing 46/43

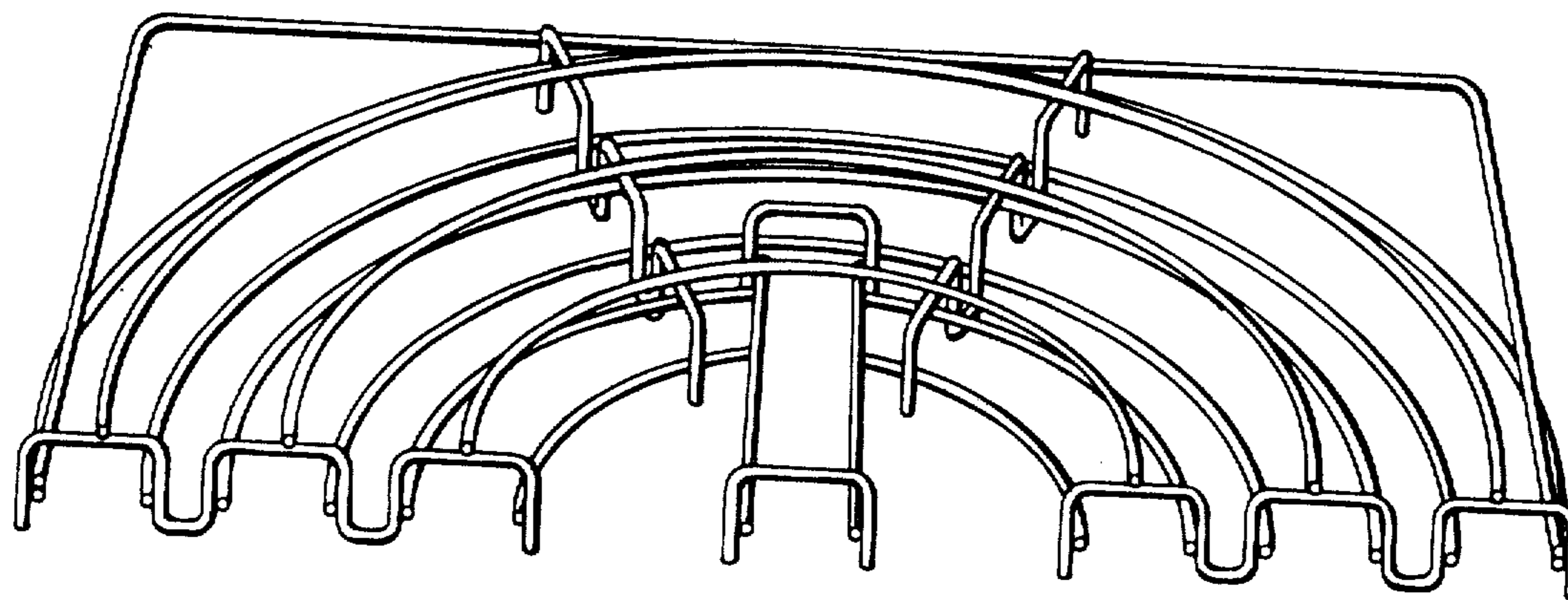
Primary Examiner—Melvin B. Feifer
Attorney, Agent, or Firm—Holman & Stern

[57] CLAIM

The ornamental design for a billiard ball game target, as shown and described.

DESCRIPTION

FIG. 1 is a perspective view of a billiard ball game target showing my new design.
FIG. 2 is an end elevational view thereof.
FIG. 3 is a front elevational view thereof.
FIG. 4 is a top plan view thereof.



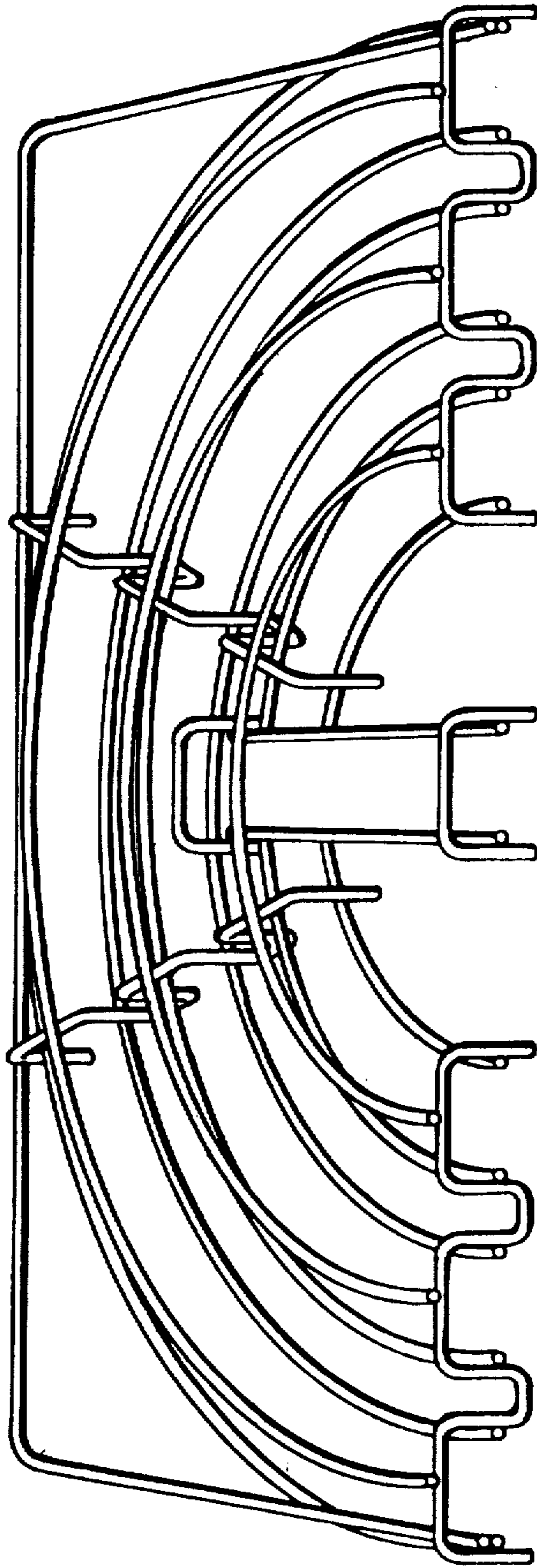


FIGURE 1.

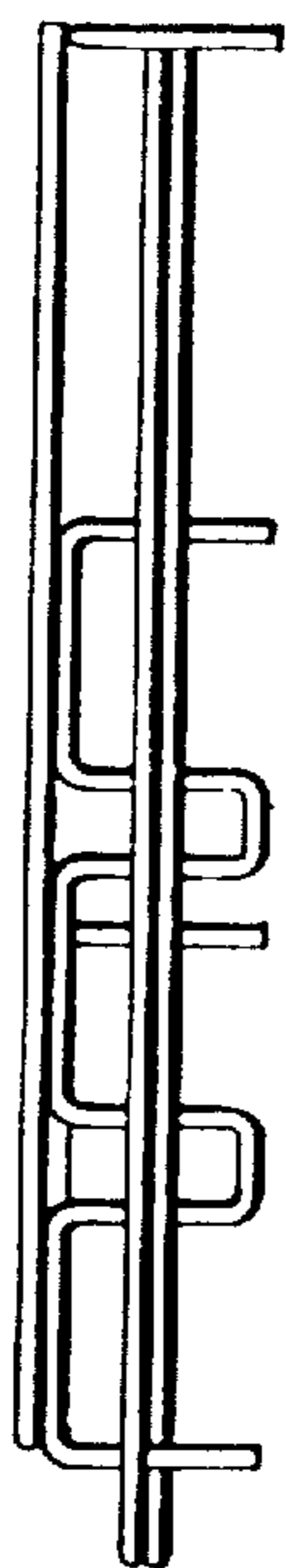


FIGURE 2.

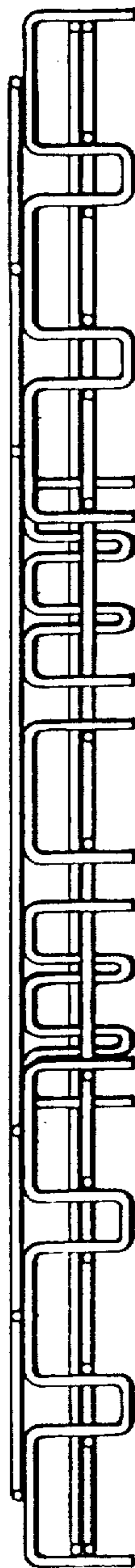


FIGURE 3.

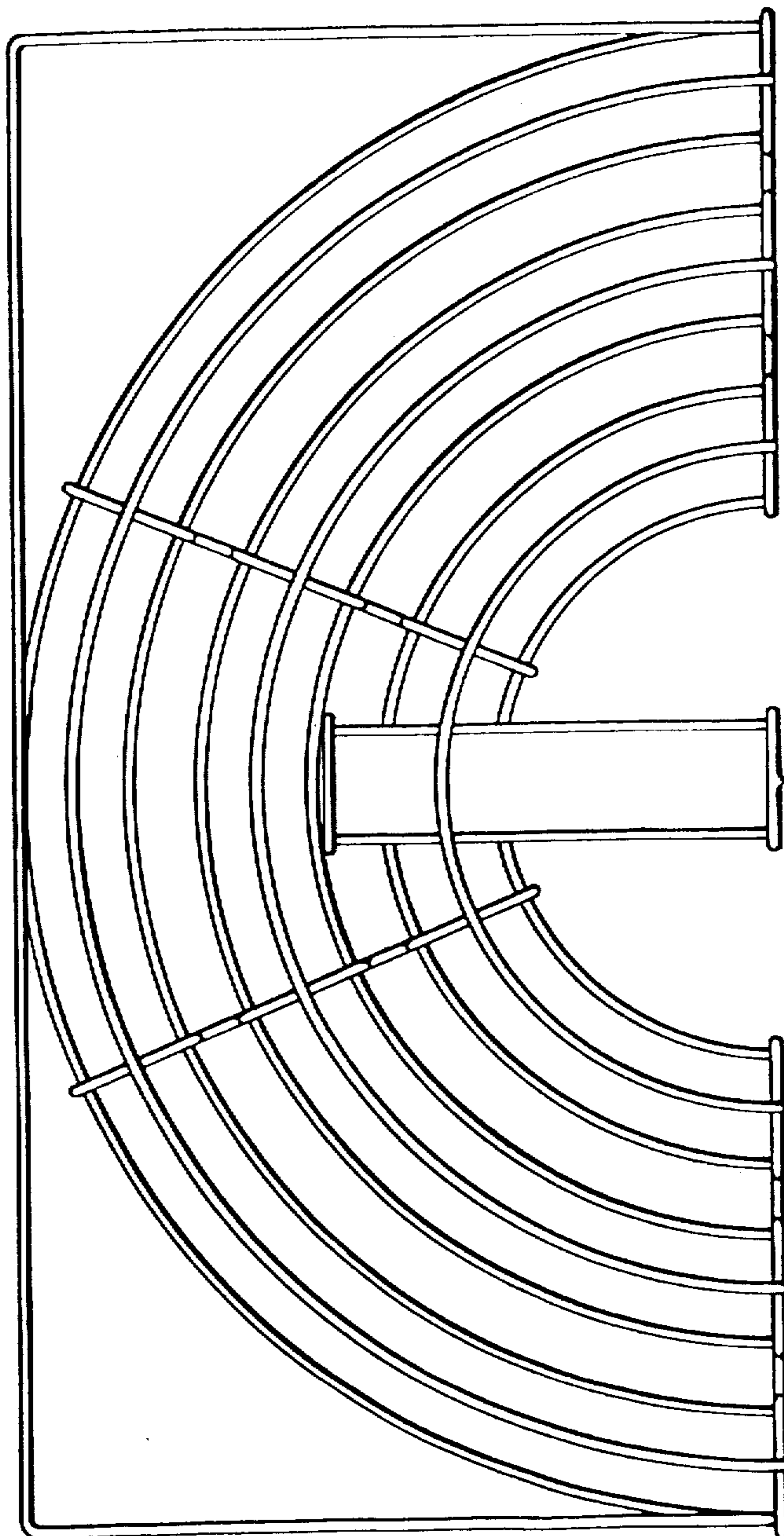


FIGURE 4.