

[54] RING FOR SKI POLE

[76] Inventor: Arve Wien, Fabrikkeveien 5, NO-2380
Brumunddal, Norway

[**] Term: 14 Years

[21] Appl. No.: 38,626

[22] Filed: May 14, 1979

[30] Foreign Application Priority Data

Nov. 7, 1978 [NO] Norway 59647

[51] Int. Cl. D21-02

[52] U.S. Cl. D21/230

[58] Field of Search D21/230, 86; 46/74 D;
280/819, 812, 824

[56] References Cited

U.S. PATENT DOCUMENTS

3,163,437 12/1964 Phillipson 280/824

FOREIGN PATENT DOCUMENTS

230244 11/1963 Austria 280/824

384438 2/1965 Switzerland 280/824

Primary Examiner—Charles A. Rademaker

[57] CLAIM

The ornamental design for a ring for ski pole, as shown.

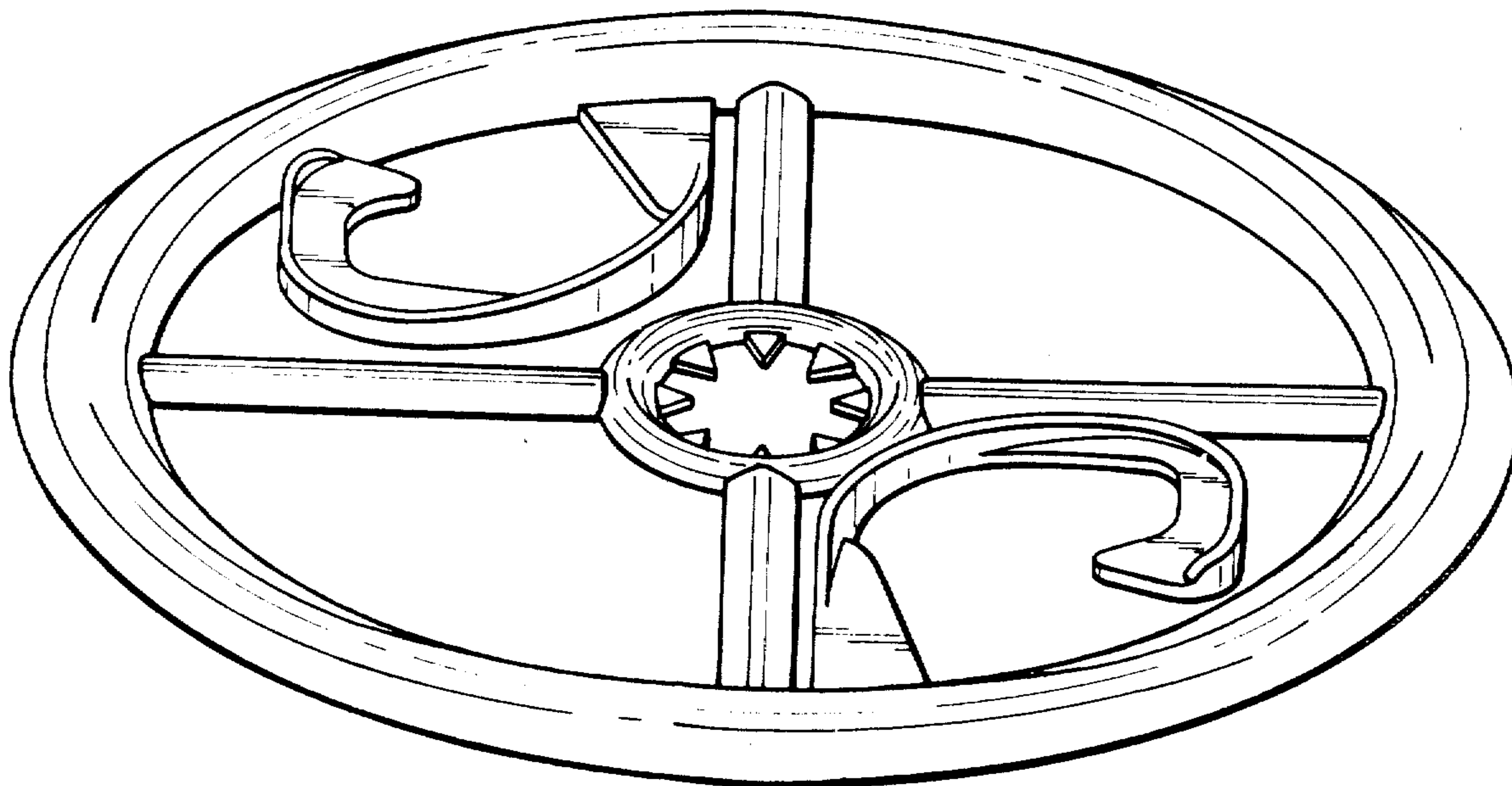
DESCRIPTION

FIG. 1 is a perspective view of a ring for ski pole showing my new design,

FIG. 2 is a top plan view thereof,

FIG. 3 is a side elevational view thereof, and

FIG. 4 is a bottom plan view thereof.



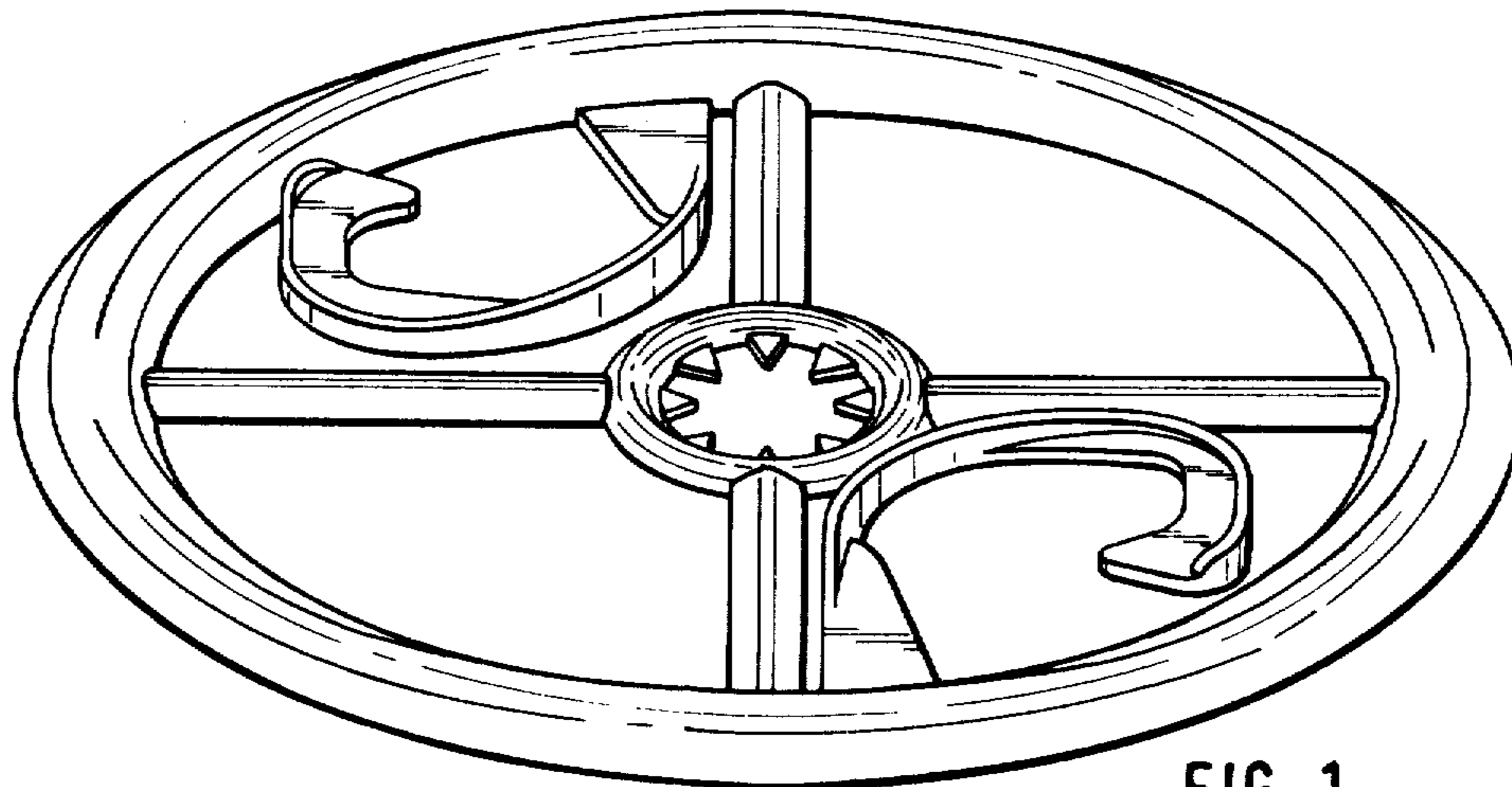


FIG. 1

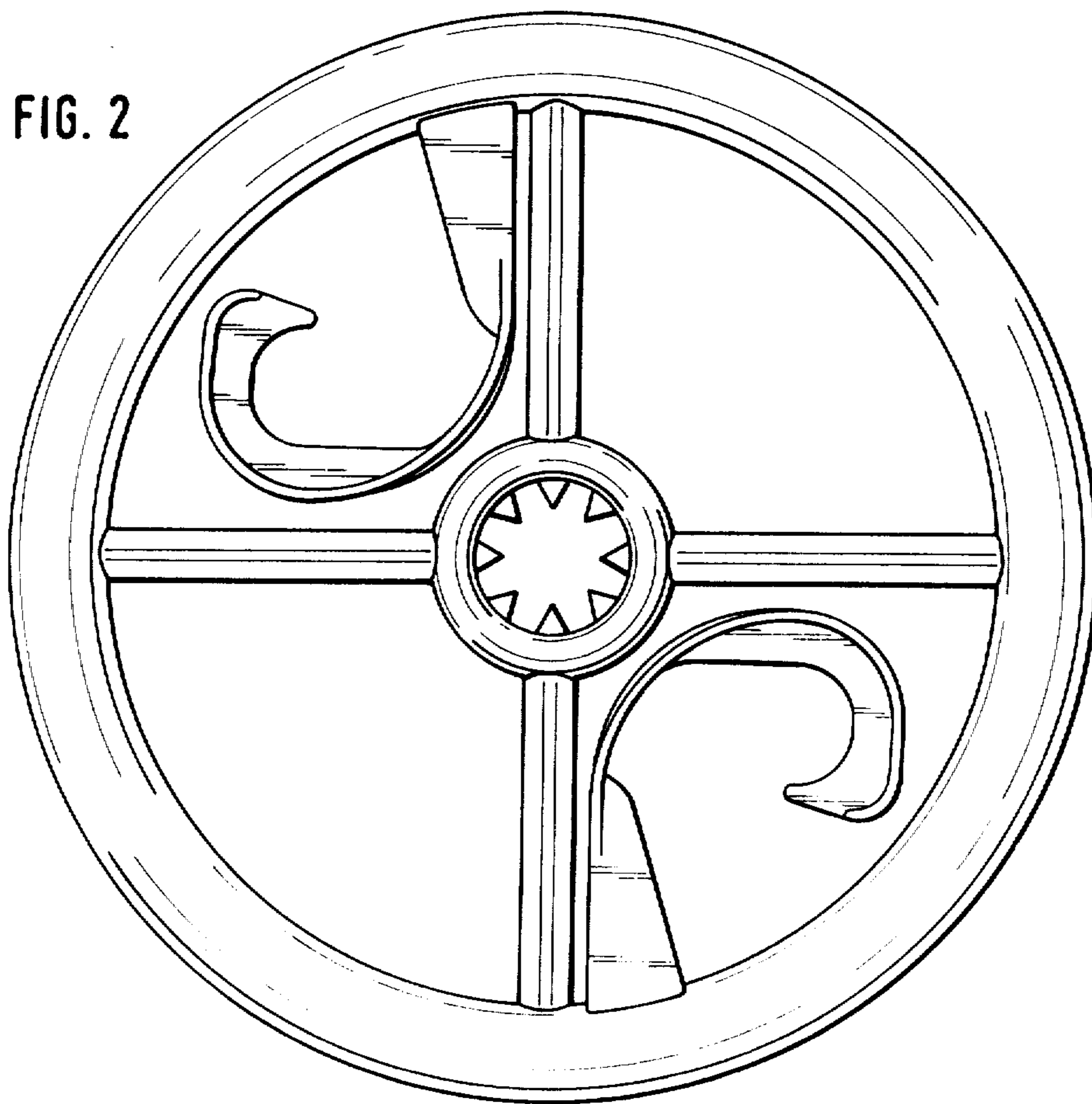


FIG. 2

FIG. 3

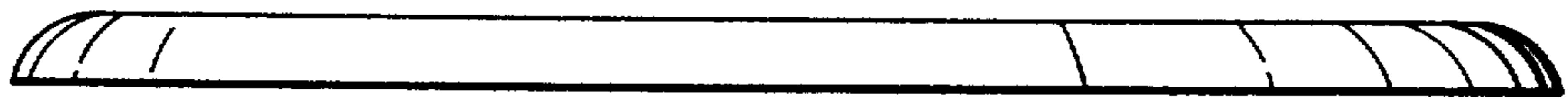


FIG. 4

