

[54] GOLF PUTTER HEAD

[76] Inventor: Clovis R. Duclos, 6327 Marina Pasifica Dr., Long Beach, Calif. 90803

[**] Term: 14 Years

[21] Appl. No.: 78,821

[22] Filed: Sep. 24, 1979

[51] Int. Cl. D21-02
[52] U.S. Cl. D21/219
[58] Field of Search D21/217, 219;
273/163 R, 164, 236-275

[56] References Cited

U.S. PATENT DOCUMENTS

D. 207,227 3/1967 Solheim D21/217
D. 239,951 5/1976 Carrier D21/217

OTHER PUBLICATIONS

Golf World, Sep. 15, 1978, p. 22, "The Navigator" putter.
Golf World, Jun. 3, 1977, p. 17, top right, middle putter.
Golf Digest, Aug., 1977, p. 104, "Killer Putter".

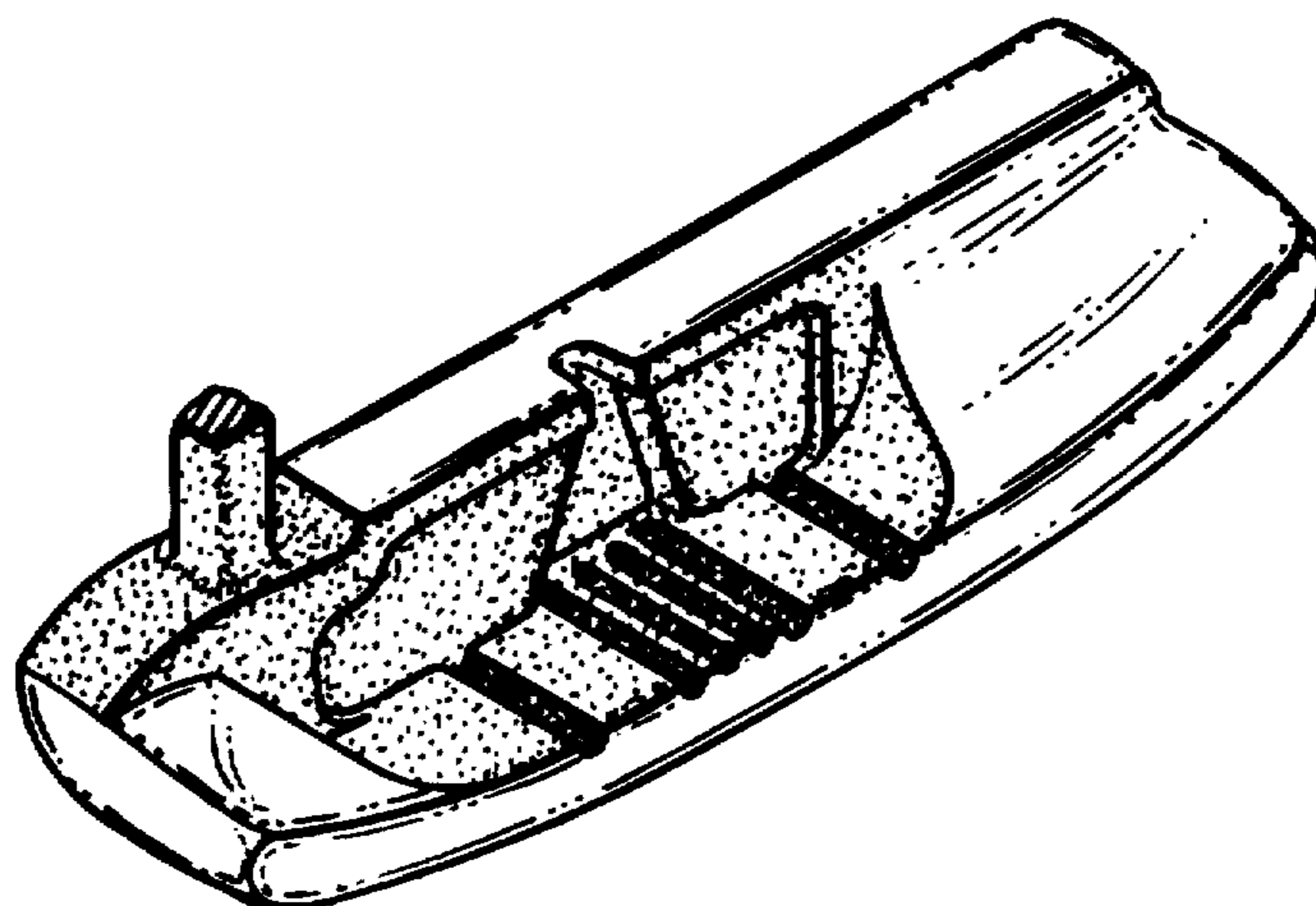
Primary Examiner—Melvin B. Feifer

[57] CLAIM

The ornamental design for a golf putter head, substantially as shown and described.

DESCRIPTION

FIG. 1 is a perspective view of a golf putter head embodying the new design with the hosel shown fragmentarily for ease of illustration;
FIG. 2 is a top plan view of the same;
FIG. 3 is a bottom plan view of the same;
FIG. 4 is a front elevational view of the same;
FIG. 5 is a rear elevational view of the same;
FIG. 6 is a right side elevational view of the same; and
FIG. 7 is a left side elevational view of the golf putter head.



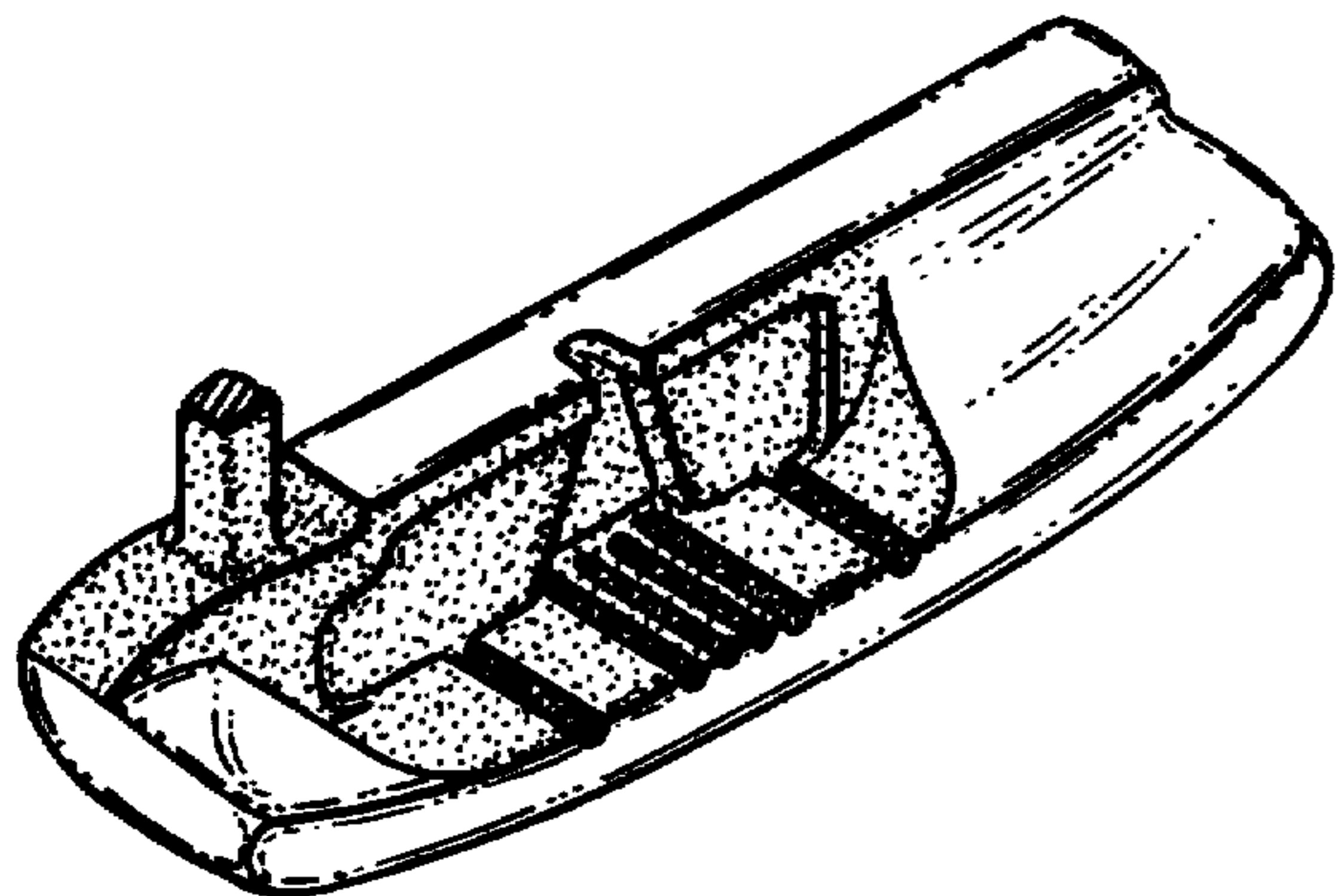


FIG. 1

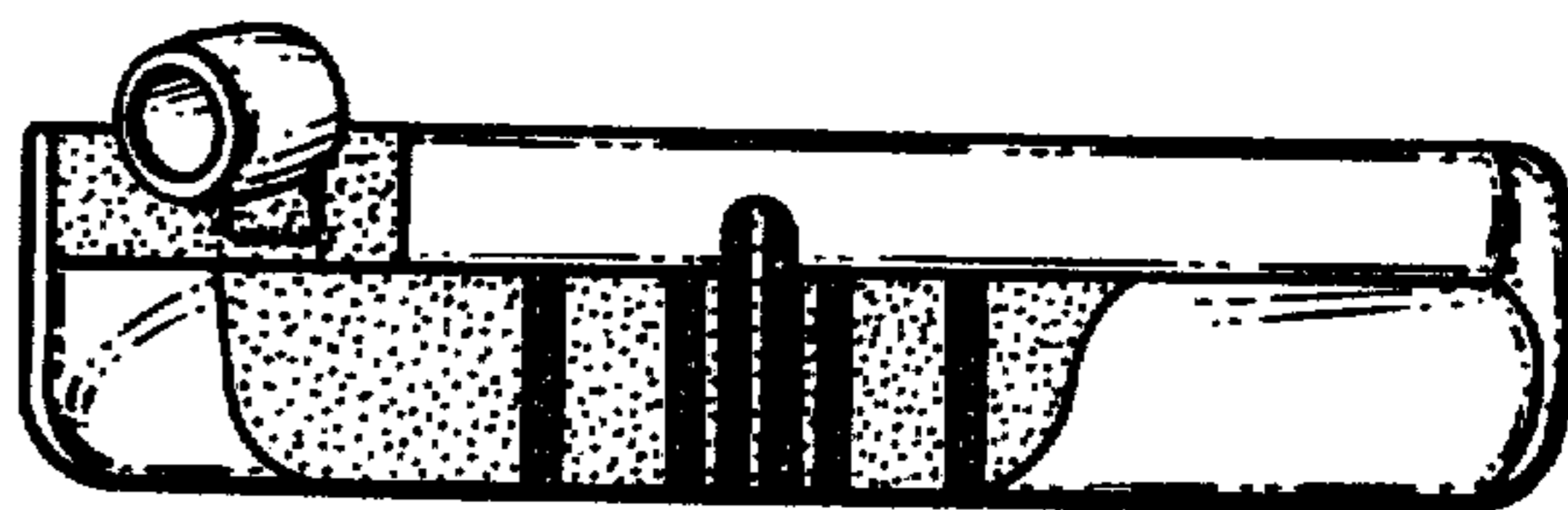


FIG. 2

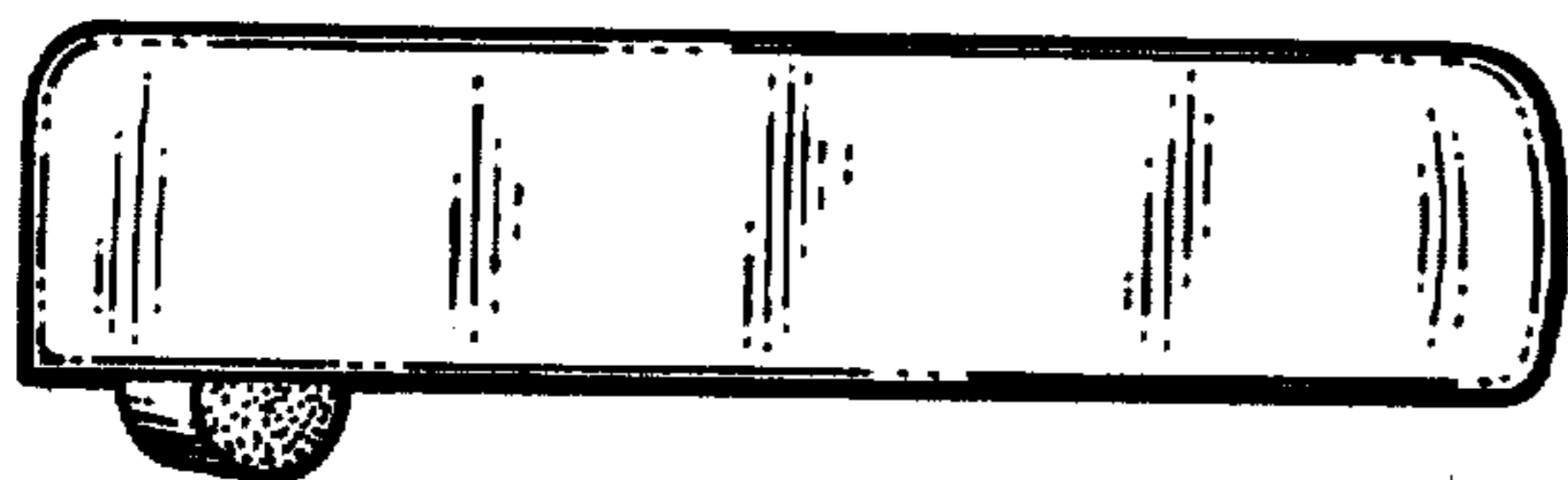


FIG. 3

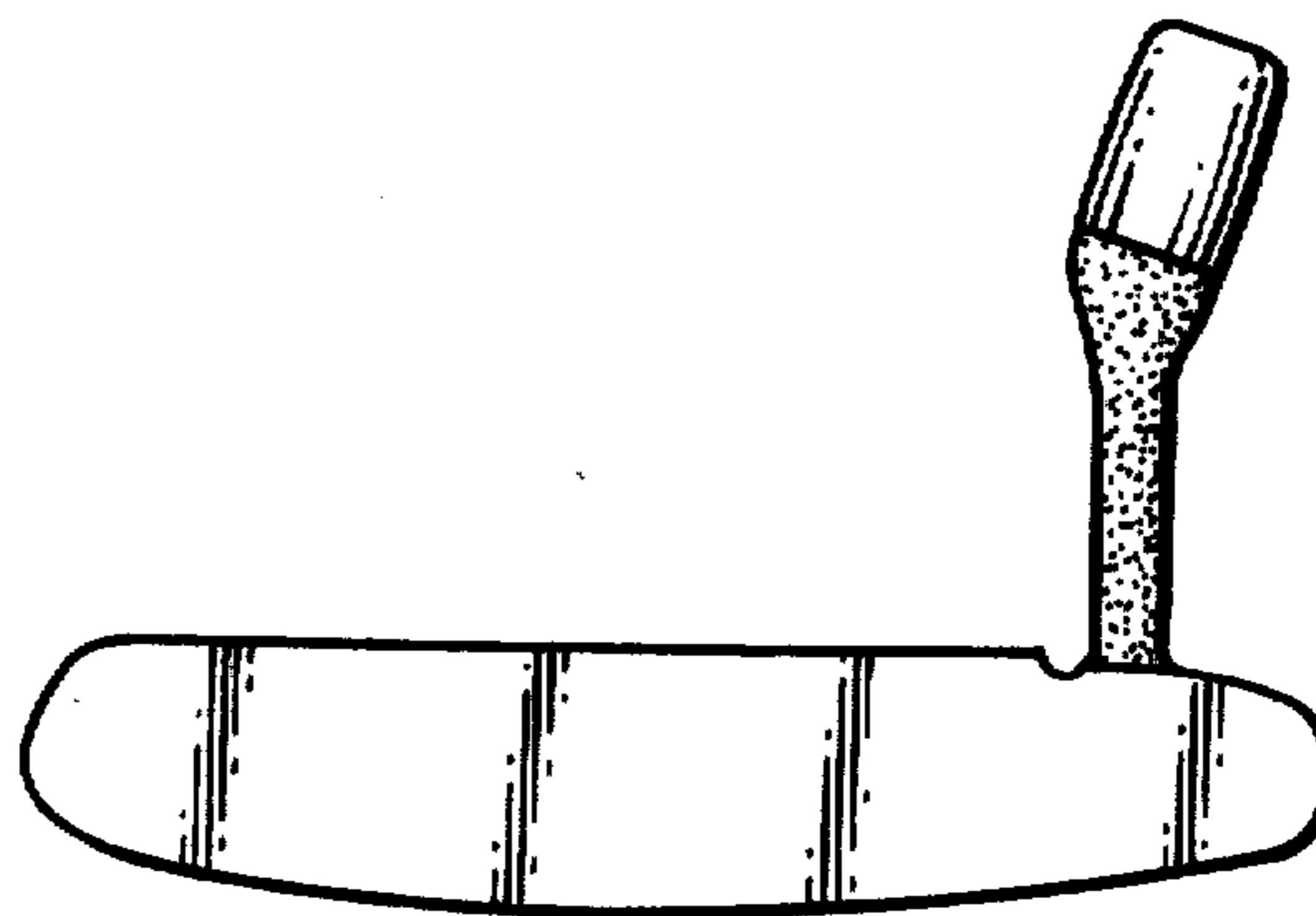


FIG. 4

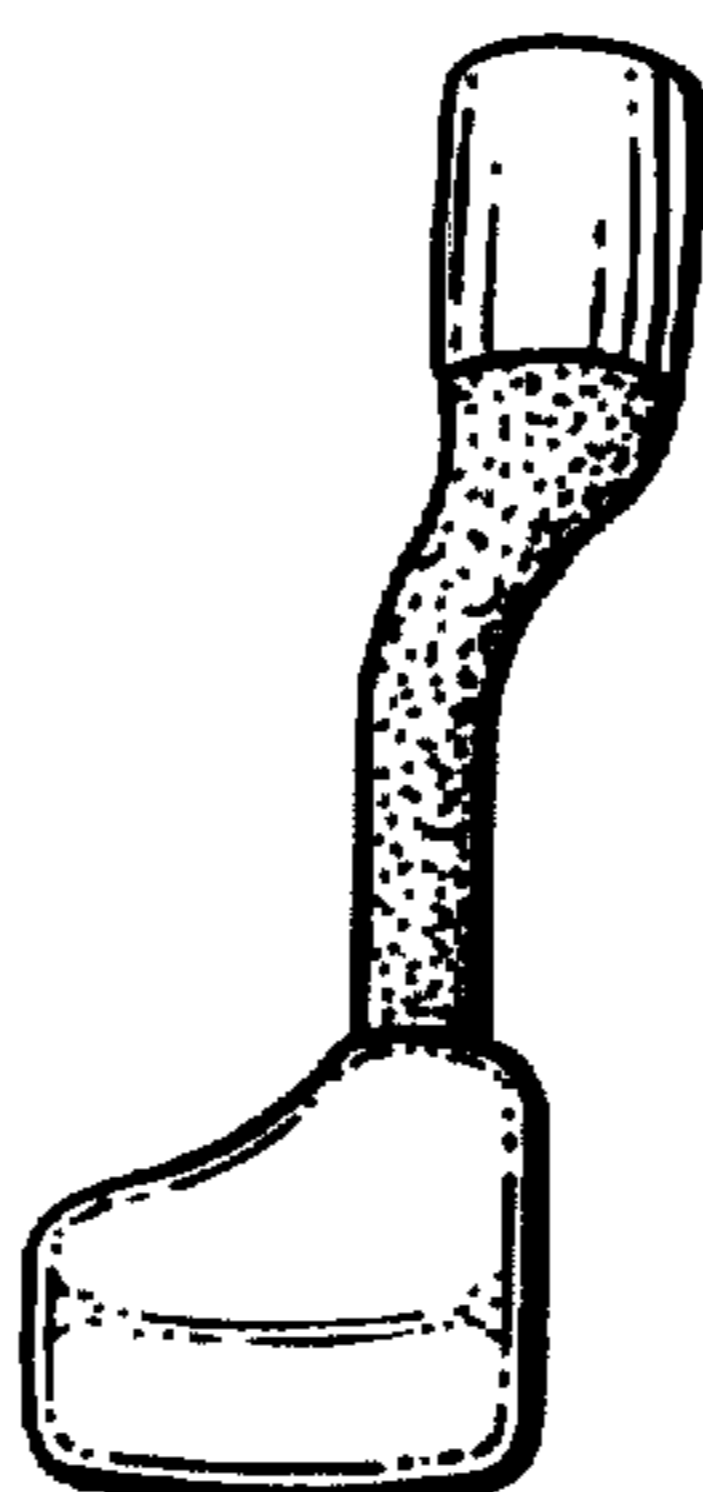


FIG. 6

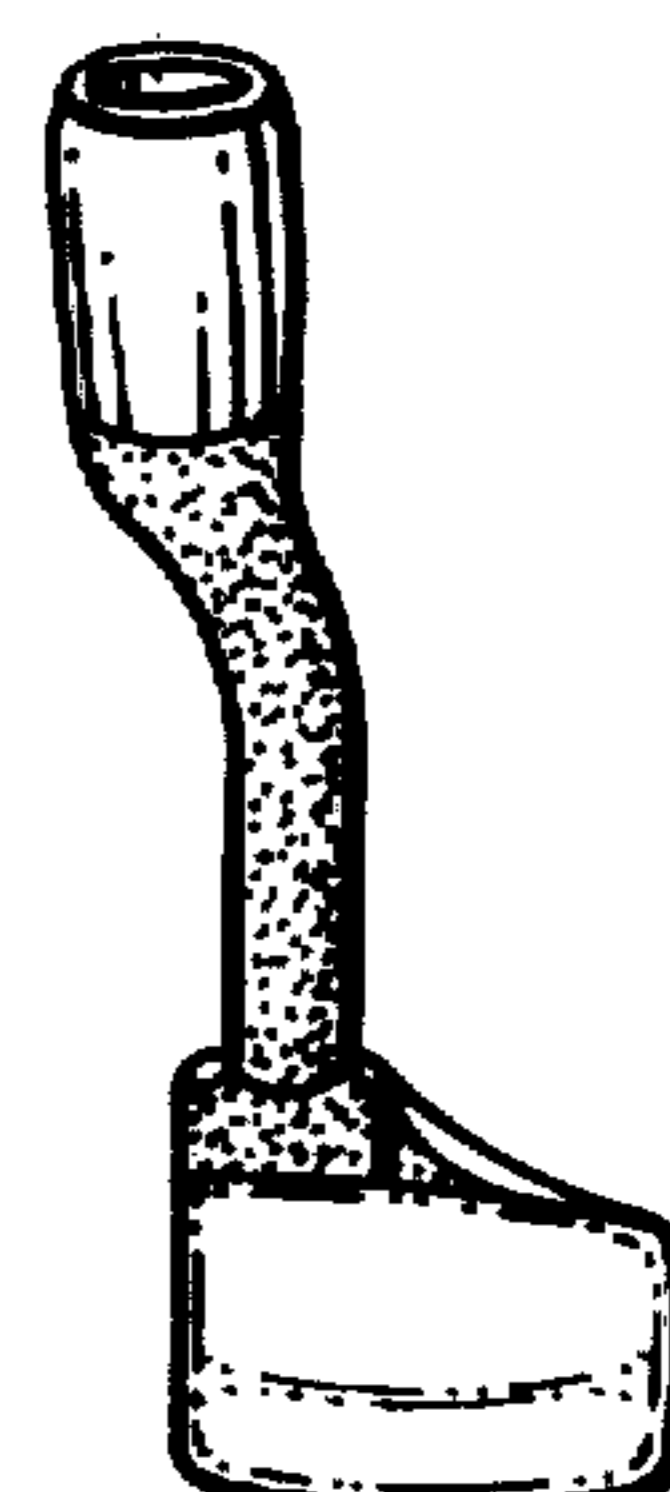


FIG. 7

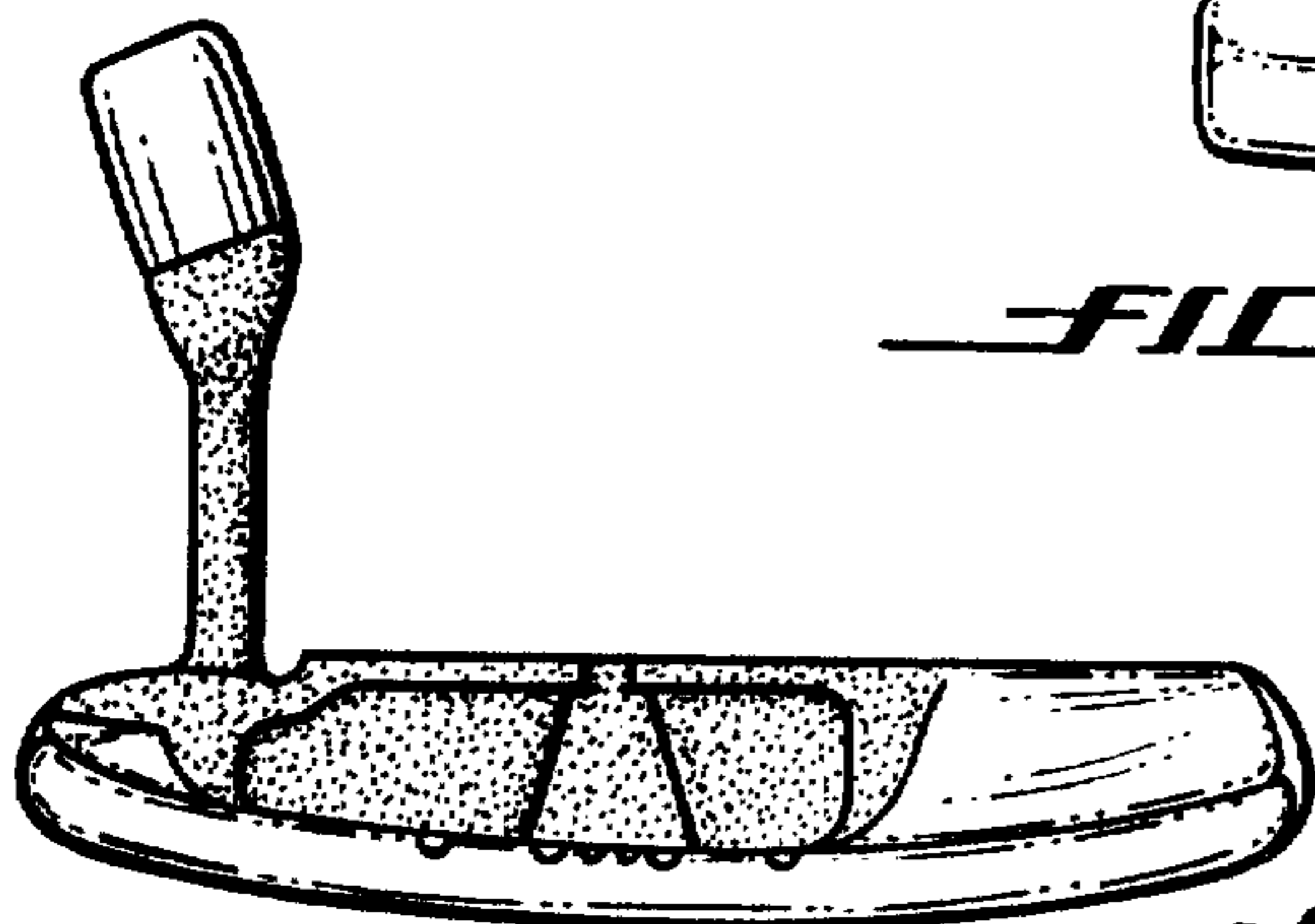


FIG. 5