

[54] GAME MARKER

[76] Inventor: Yi Chen, 23356 Batey Ave., Harbor City, Calif. 90710

[**] Term: 14 Years

[21] Appl. No.: 113,518

[22] Filed: Jan. 21, 1980

[51] Int. Cl. D21-01

[52] U.S. Cl. D21/51

[58] Field of Search D21/51, 108, 105, 103;
273/294, 288; D25/87, 88, 91, 93

[56] References Cited

U.S. PATENT DOCUMENTS

1,075,128 10/1913 Skinner D25/88
4,025,076 5/1977 Lipps 273/294

OTHER PUBLICATIONS

Handbook of Designs and Devices by C. P. Hornung, 1946, p. 90, plate 807.

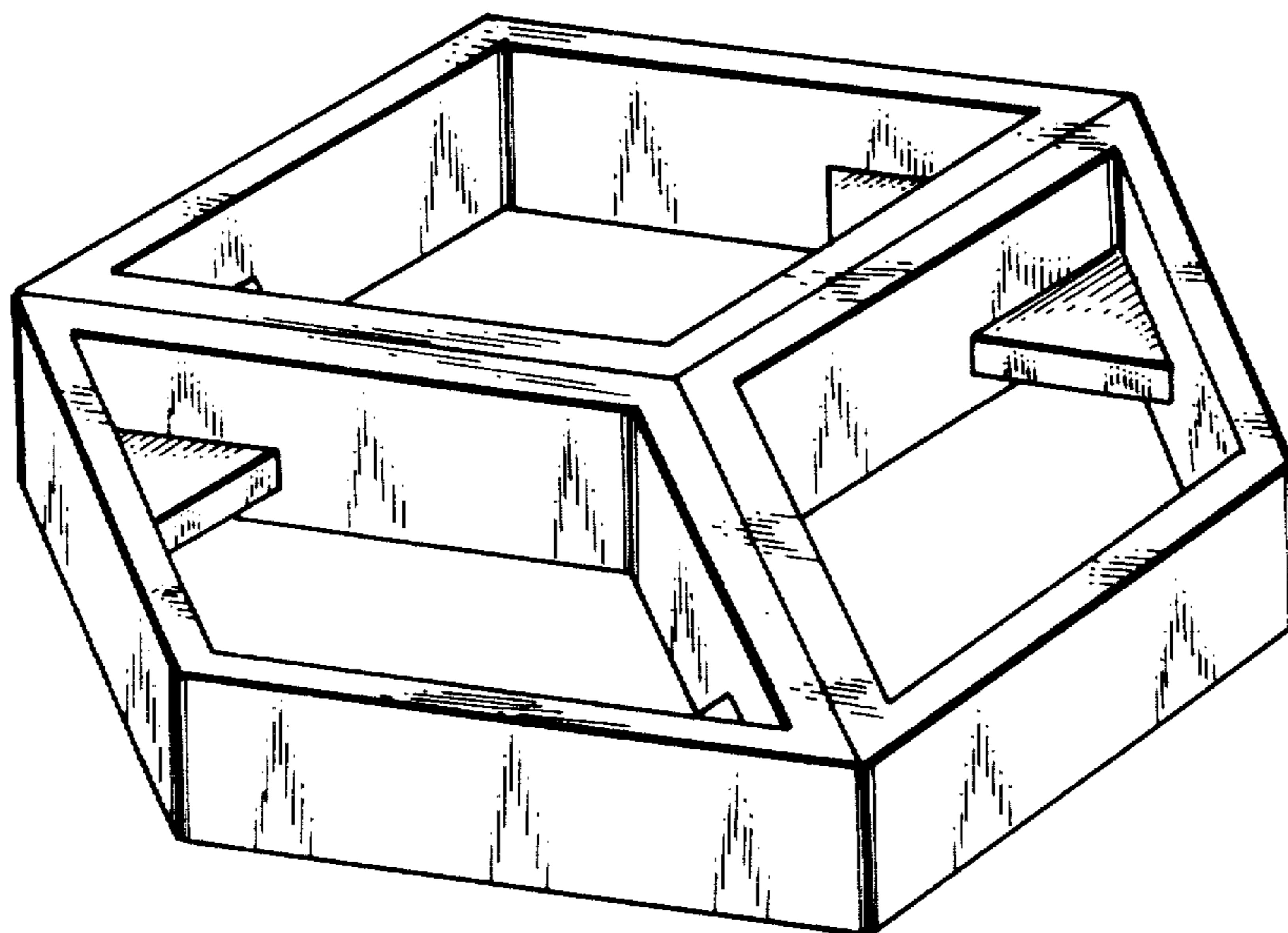
Primary Examiner—Melvin B. Feifer
Attorney, Agent, or Firm—Smyth, Pavitt, Siegemund & Martella

[57] CLAIM

The ornamental design for a game marker, substantially as shown.

DESCRIPTION

FIG. 1 is a perspective view of the game marker showing my new design;
FIG. 2 is a top view of the game marker;
FIG. 3 is an end view of the game marker in the direction 3-3 indicated in FIG. 2; and,
FIG. 4 is an end view of the game marker in the direction 4-4 indicated in FIG. 2.



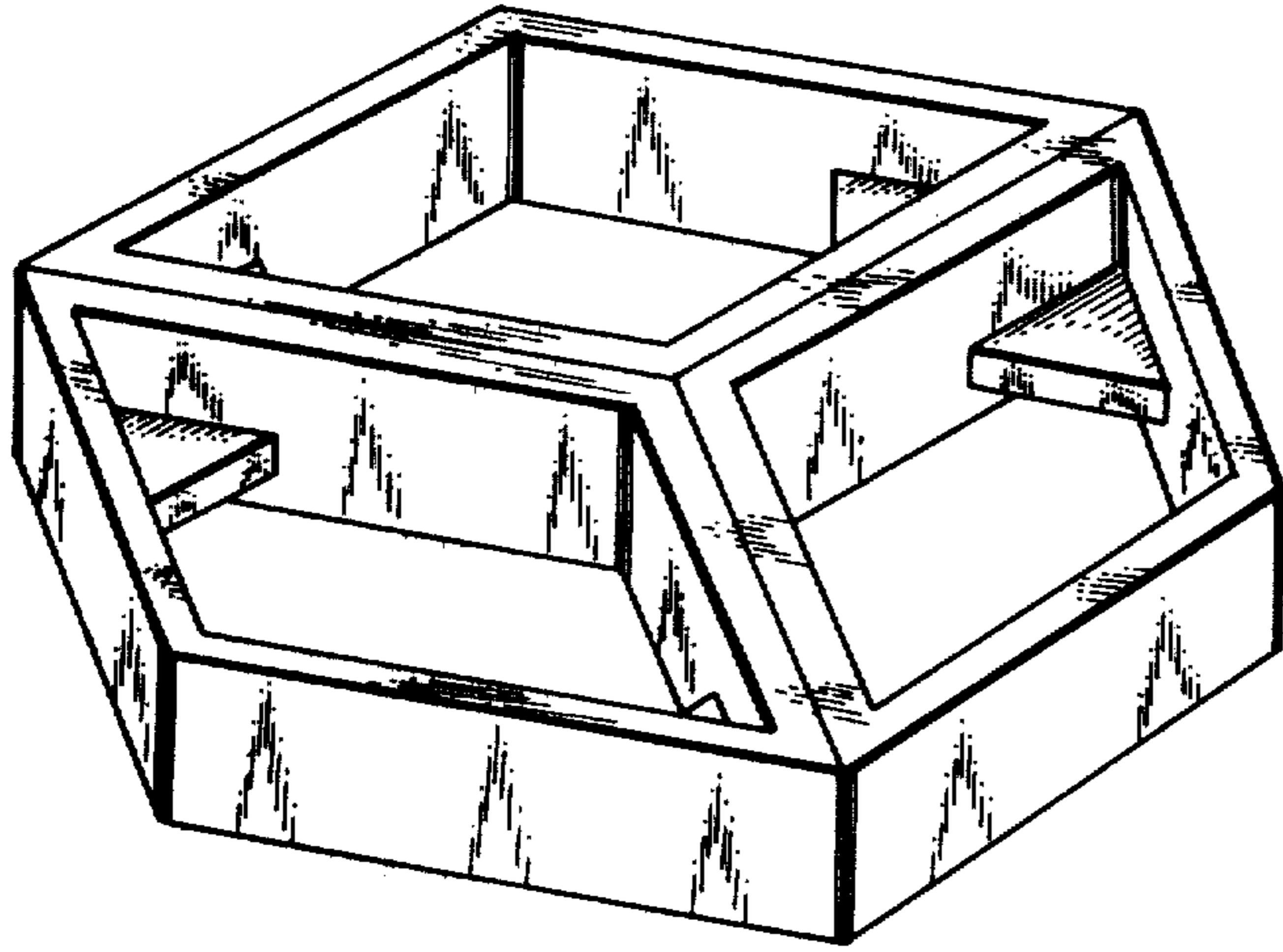


Fig. 1

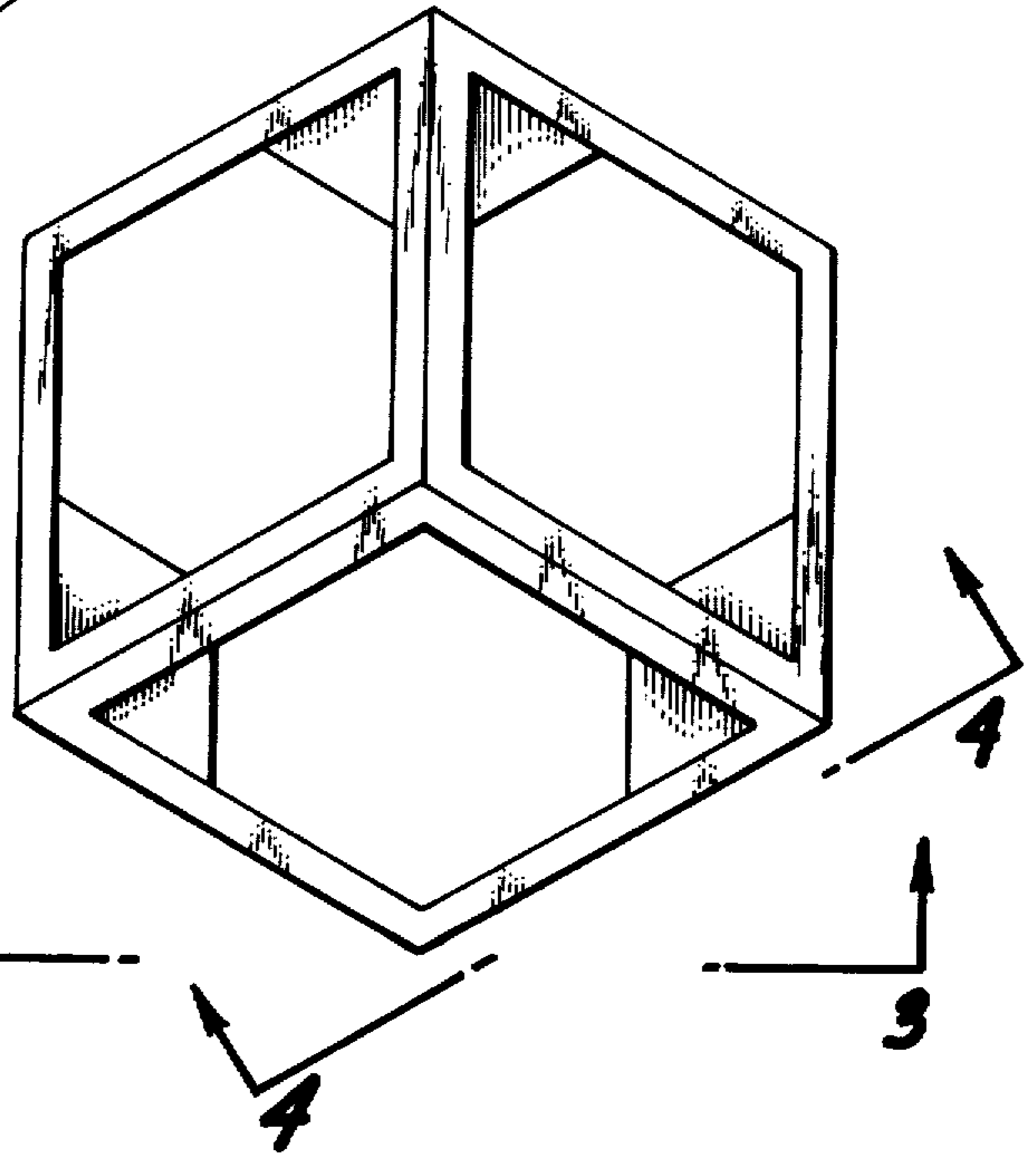


Fig. 2



Fig. 3

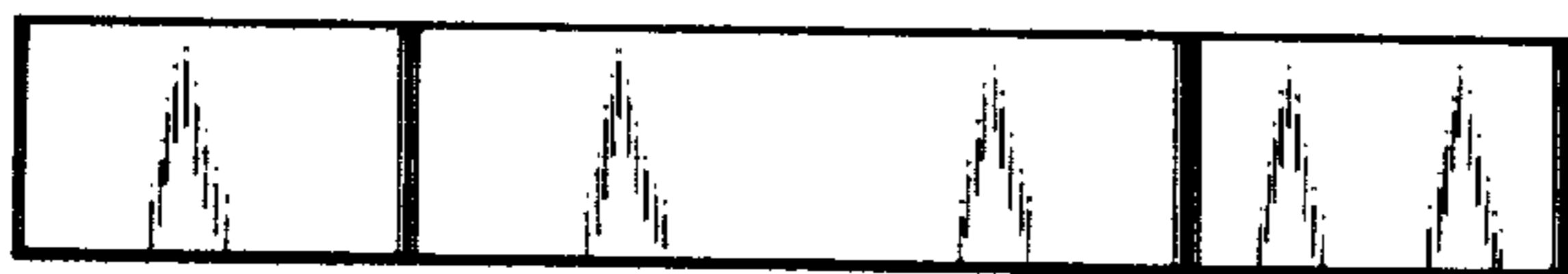


Fig. 4