

- [54] **CORE FOR ELONGATED STRIP**
- [75] Inventor: **Yo Sato**, Tokyo, Japan
- [73] Assignee: **Kabushiki Kaisha Sato Kenkyusho**, Japan
- [**] Term: **14 Years**
- [21] Appl. No.: **32,917**
- [22] Filed: **Apr. 24, 1979**

Related U.S. Application Data

[63] Continuation-in-part of Ser. No. 715,250, Aug. 17, 1976, Des. Pat. No. 252,755, which is a continuation-in-part of Ser. No. 646,510, Jan. 5, 1976, abandoned.

- [51] Int. Cl. **D19-99**
- [52] U.S. Cl. **D19/67**
- [58] Field of Search **D19/67; D21/108; 242/68, 68.1, 68.3, 68.5**

References Cited

U.S. PATENT DOCUMENTS

- 2,659,543 11/1953 Guyer 242/68.5
- 3,689,003 9/1972 Choinski 242/68.3
- 3,869,589 3/1975 Hundstad D21/108
- 3,997,124 12/1976 Sato 242/68
- 3,997,125 12/1976 Sato 242/68.5

Primary Examiner—Joel Stearman
Assistant Examiner—Carmen H. Vales
Attorney, Agent, or Firm—Ostrolenk, Faber, Gerb & Soffen

[57] **CLAIM**

The ornamental design for a core for elongated strip, as shown and described.

DESCRIPTION

FIG. 1 is a perspective view of the core for elongated strip showing my new design;
 FIG. 2 is a left side elevational view, the right side being a mirror image thereof;
 FIG. 3 is a rear elevational view thereof;
 FIG. 4 is a front elevational view thereof;
 FIG. 5 is a top plan view thereof;
 FIG. 6 is a sectional view taken along line 6—6 of FIG. 4;
 FIG. 7 is a perspective view of a second embodiment of the core for elongated strip shown in FIG. 1;
 FIG. 8 is a left side elevational view thereof;
 FIG. 9 is a rear elevational view thereof;
 FIG. 10 is a front elevational view thereof;
 FIG. 11 is a right side elevational view thereof;
 FIG. 12 is a top plan view thereof;
 FIG. 13 is a sectional view taken along line 13—13 of FIG. 10;
 FIG. 14 is a perspective view of a third embodiment of the core for elongated strip shown in FIG. 1;
 FIG. 15 is a left side elevational view, the right side being a mirror image thereof;
 FIG. 16 is a rear elevational view thereof;
 FIG. 17 is a front elevational view thereof;
 FIG. 18 is a top plan view thereof;
 FIG. 19 is a sectional view taken along line 19—19 of FIG. 17.

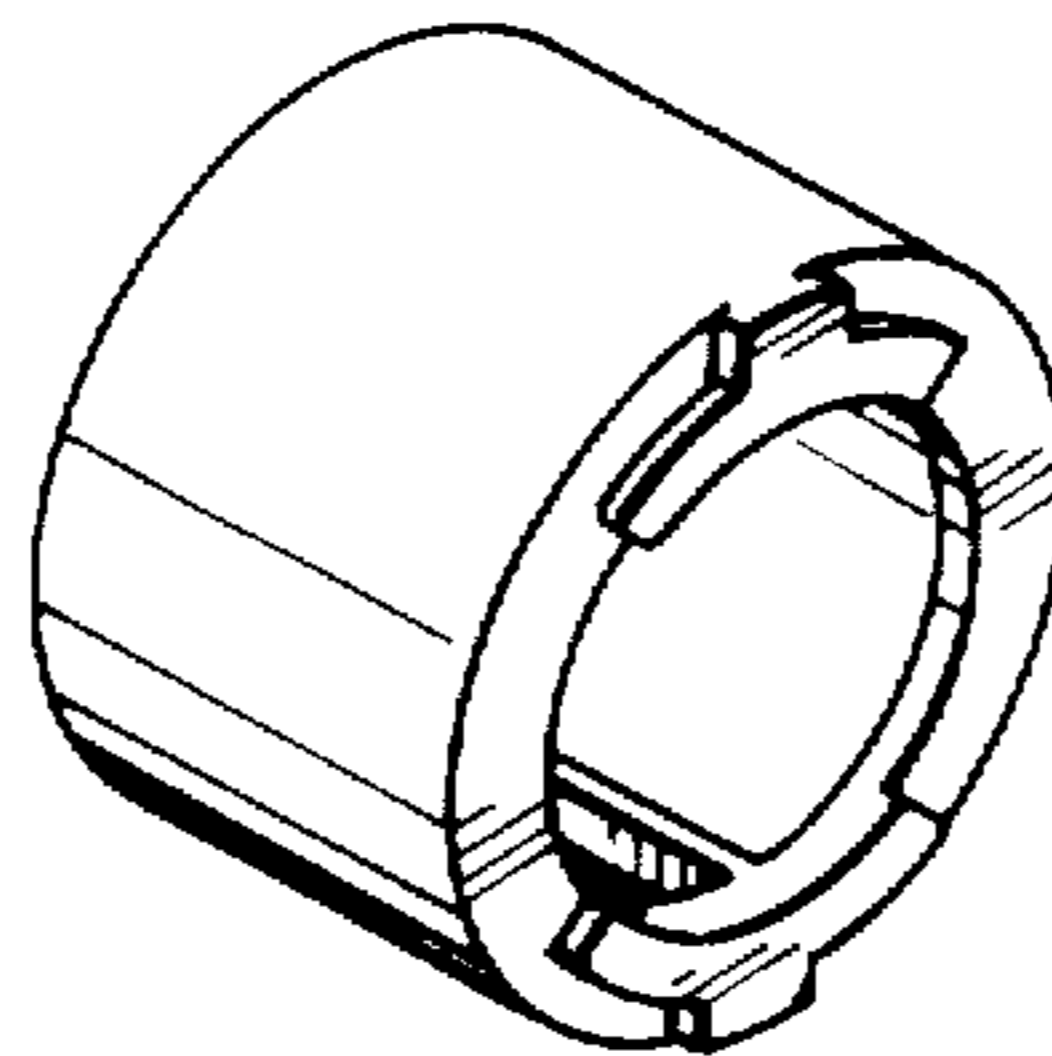


FIG. 1.

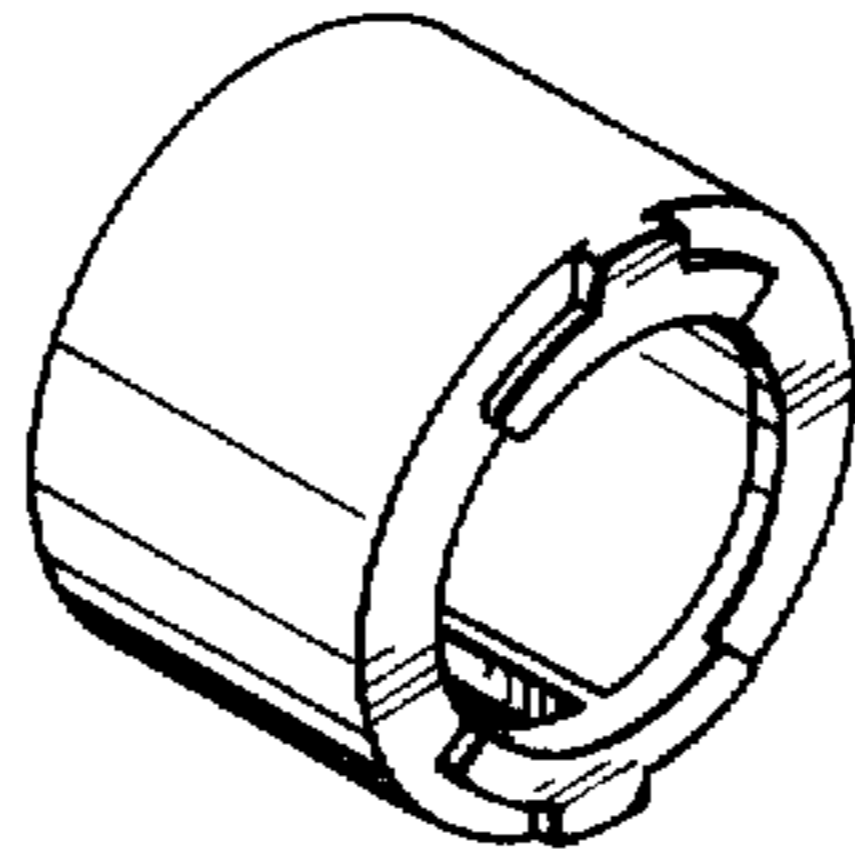


FIG. 3.

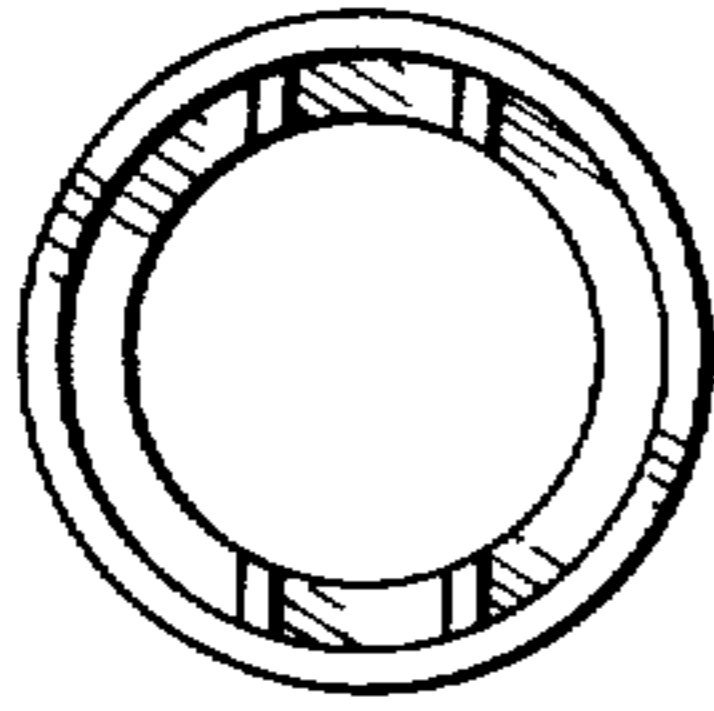


FIG. 2.

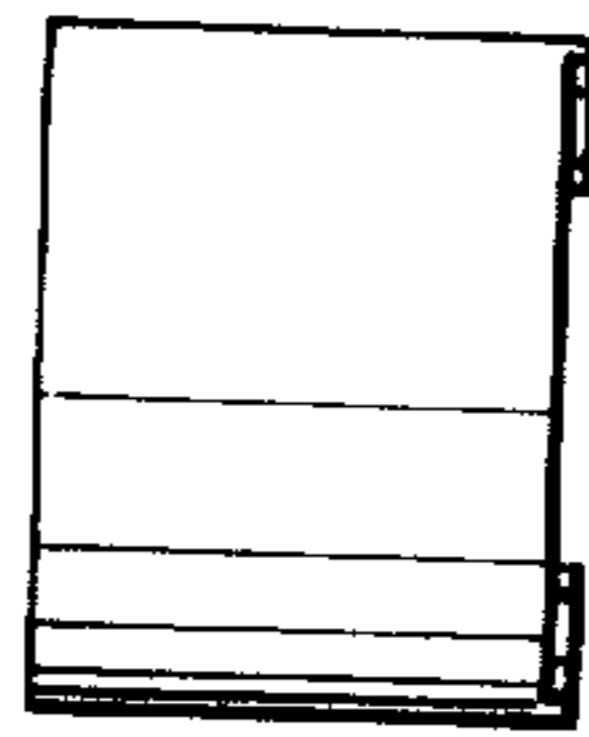


FIG. 4.

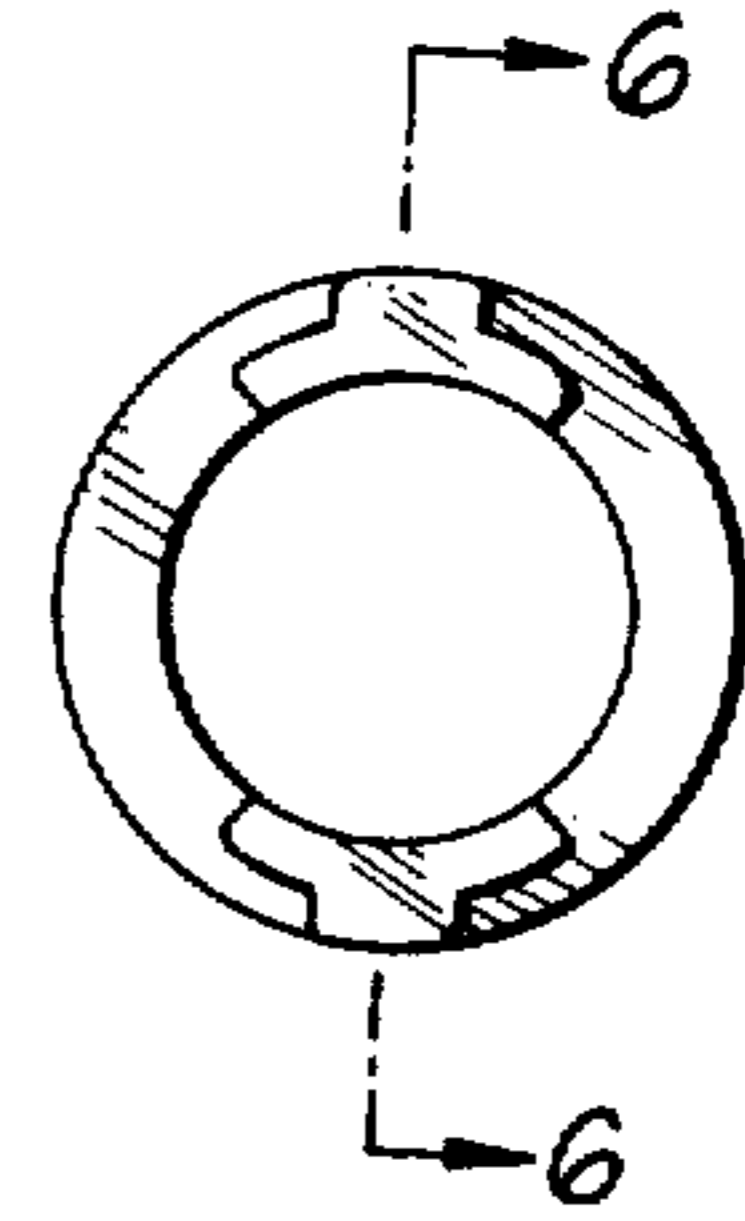


FIG. 5.

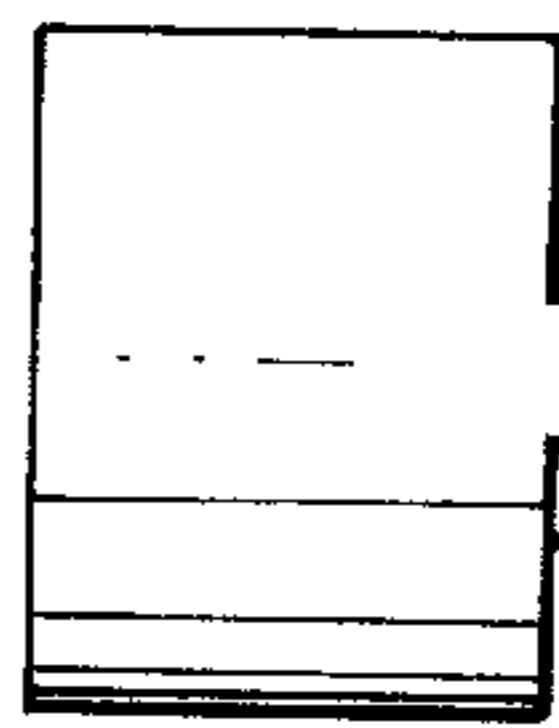


FIG. 6.

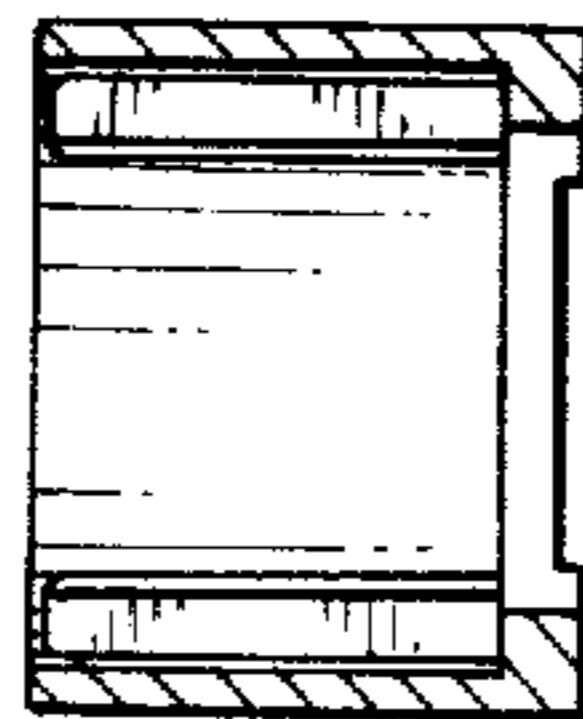


FIG. 7.

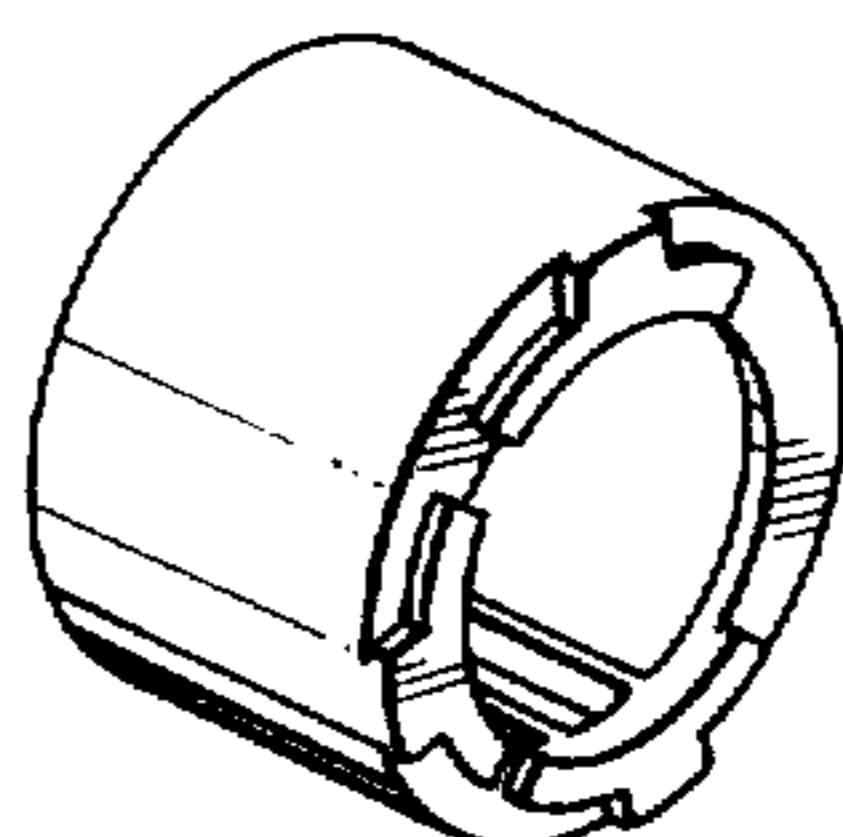


FIG. 9.

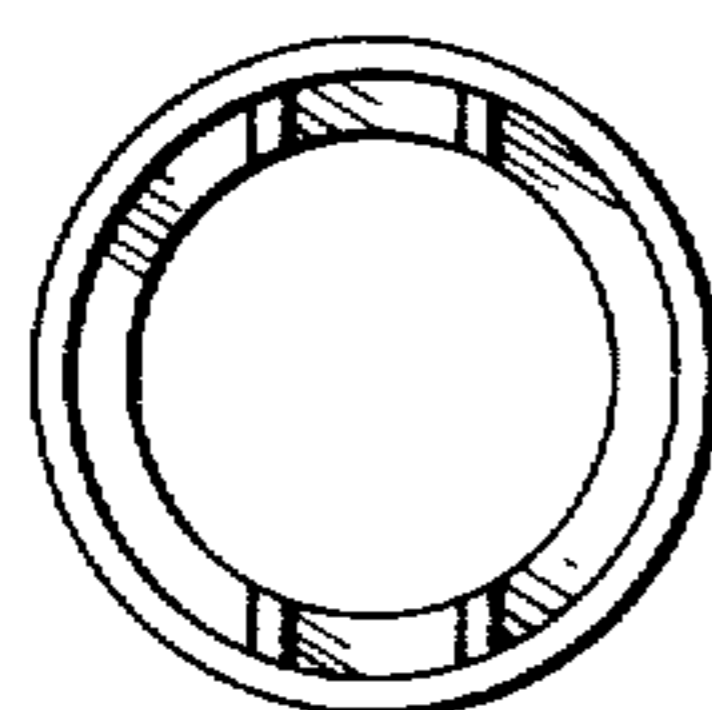


FIG. 8.

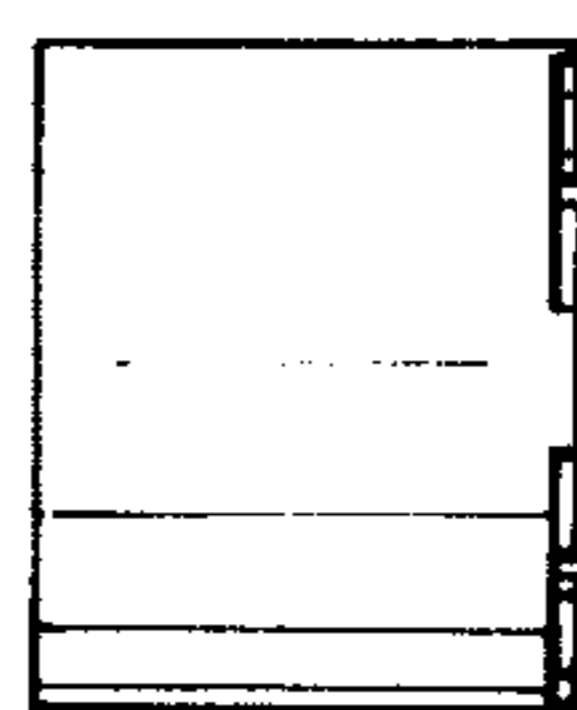


FIG. 10.

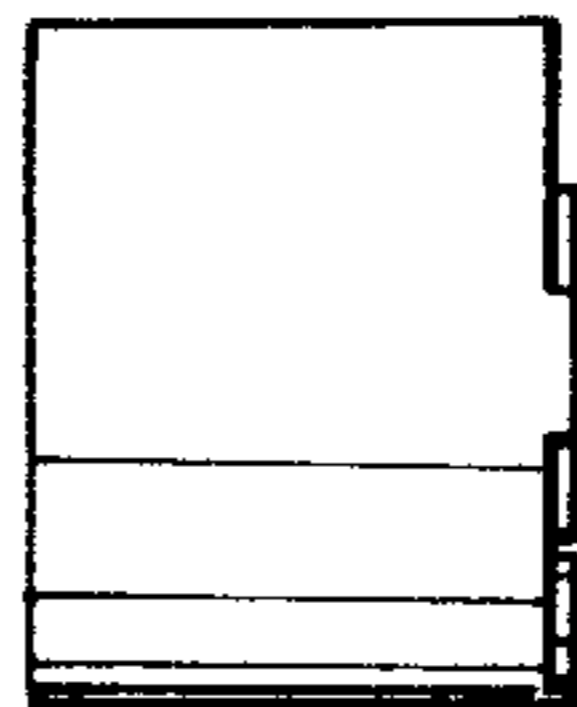
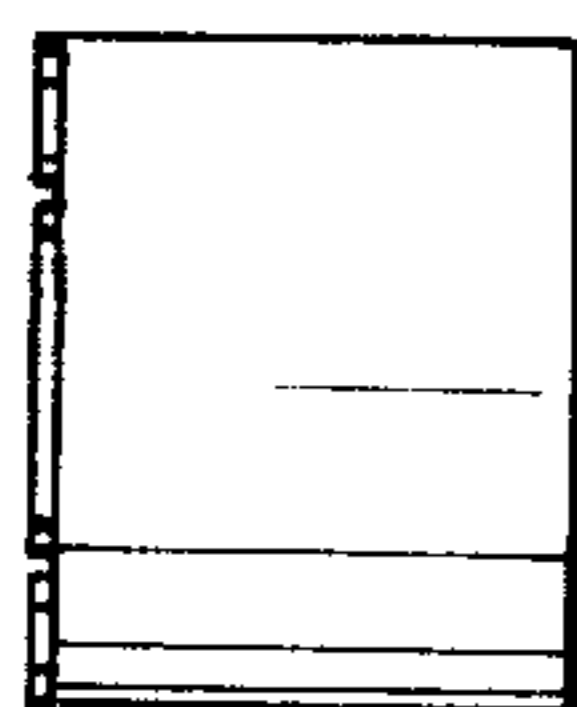
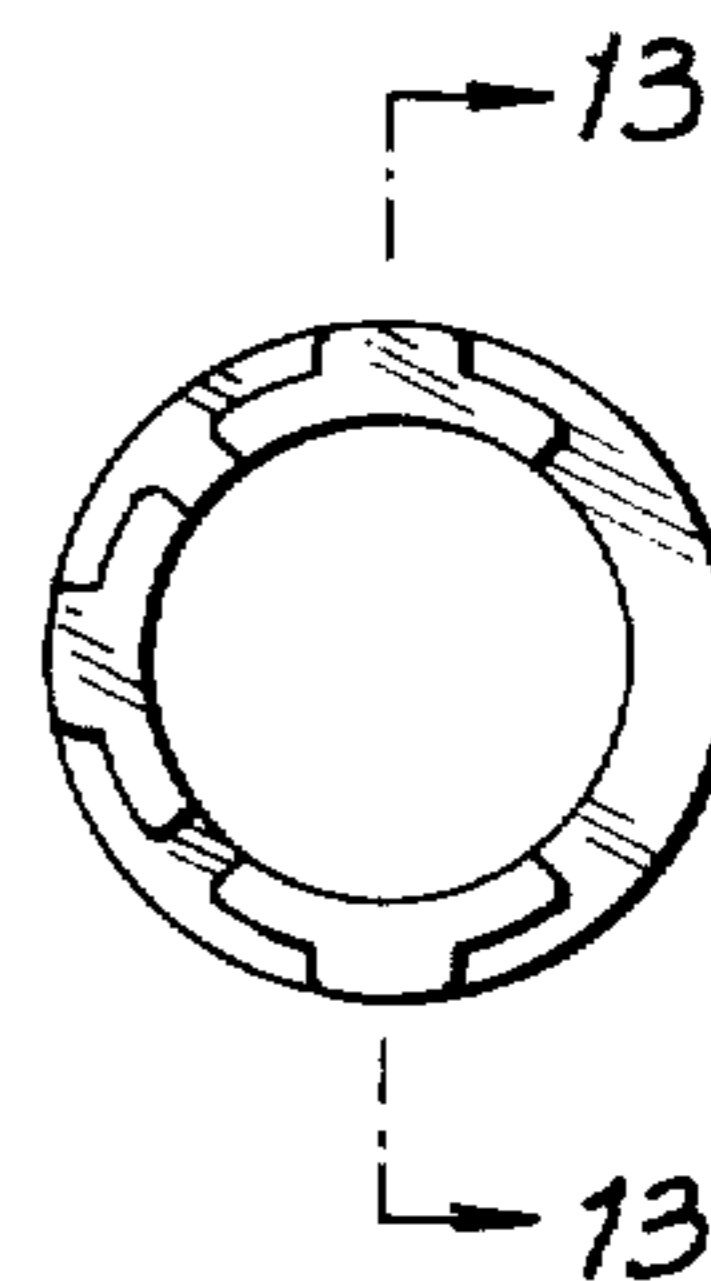


FIG. 12.

FIG. 11.

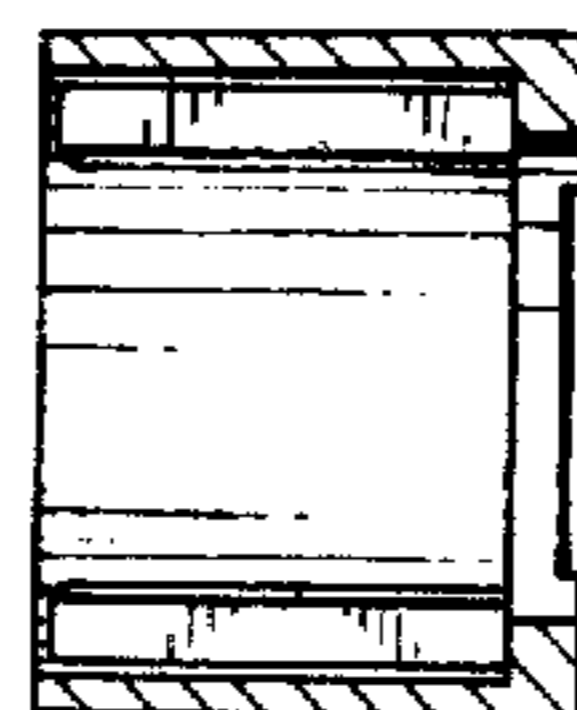


FIG. 13.

FIG. 14.

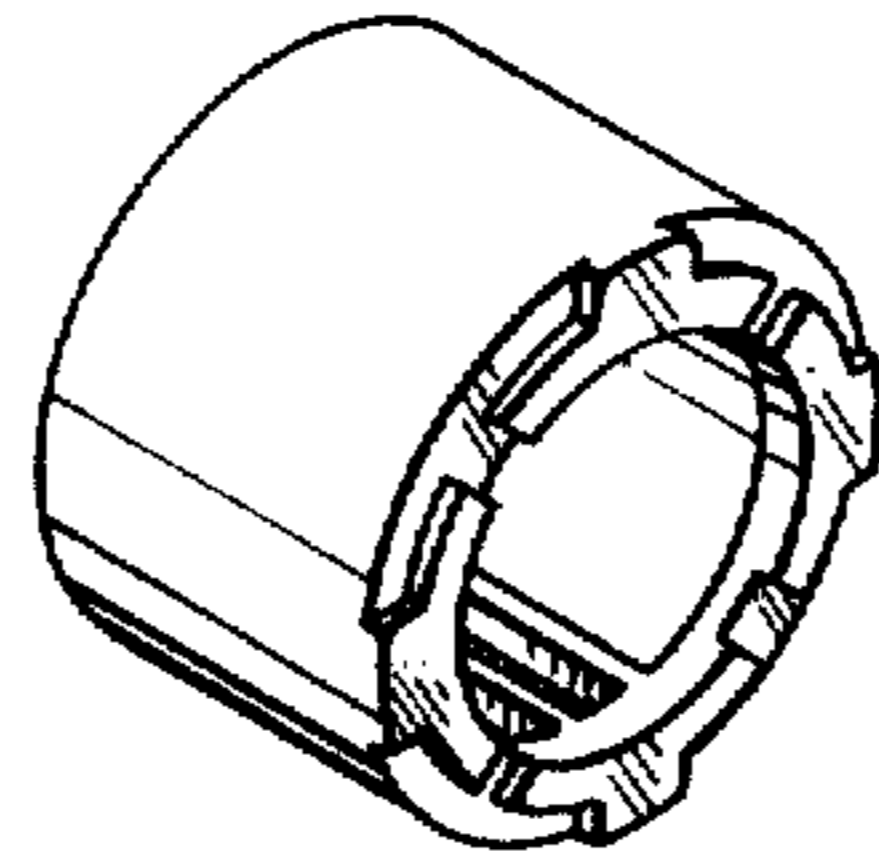


FIG. 16.

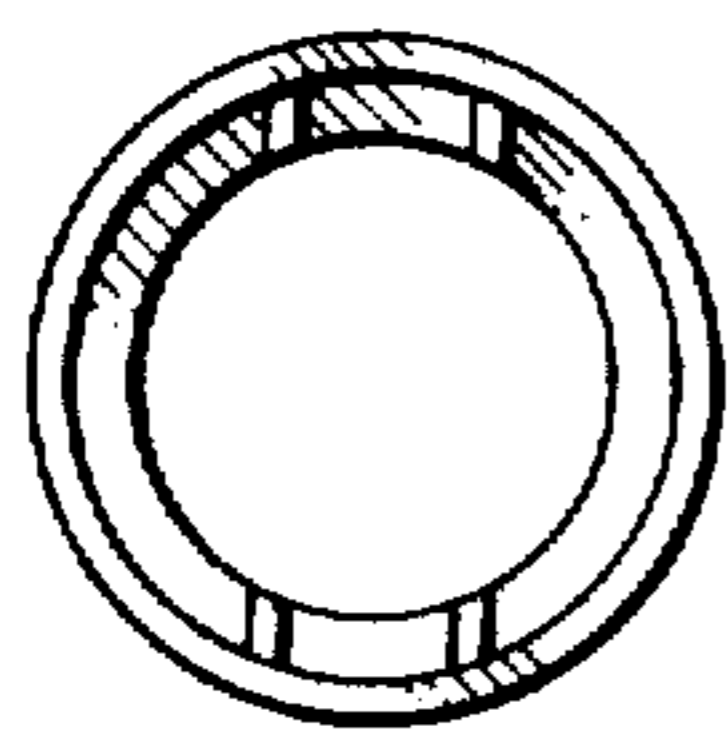


FIG. 15.

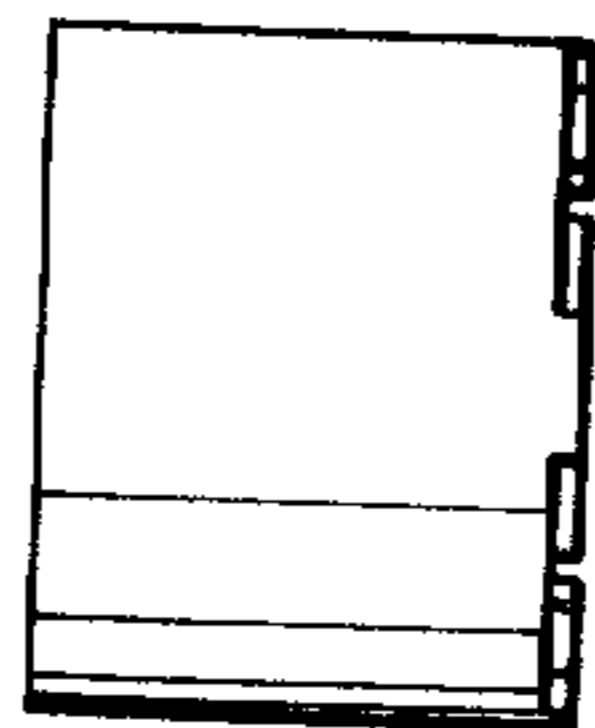


FIG. 17.

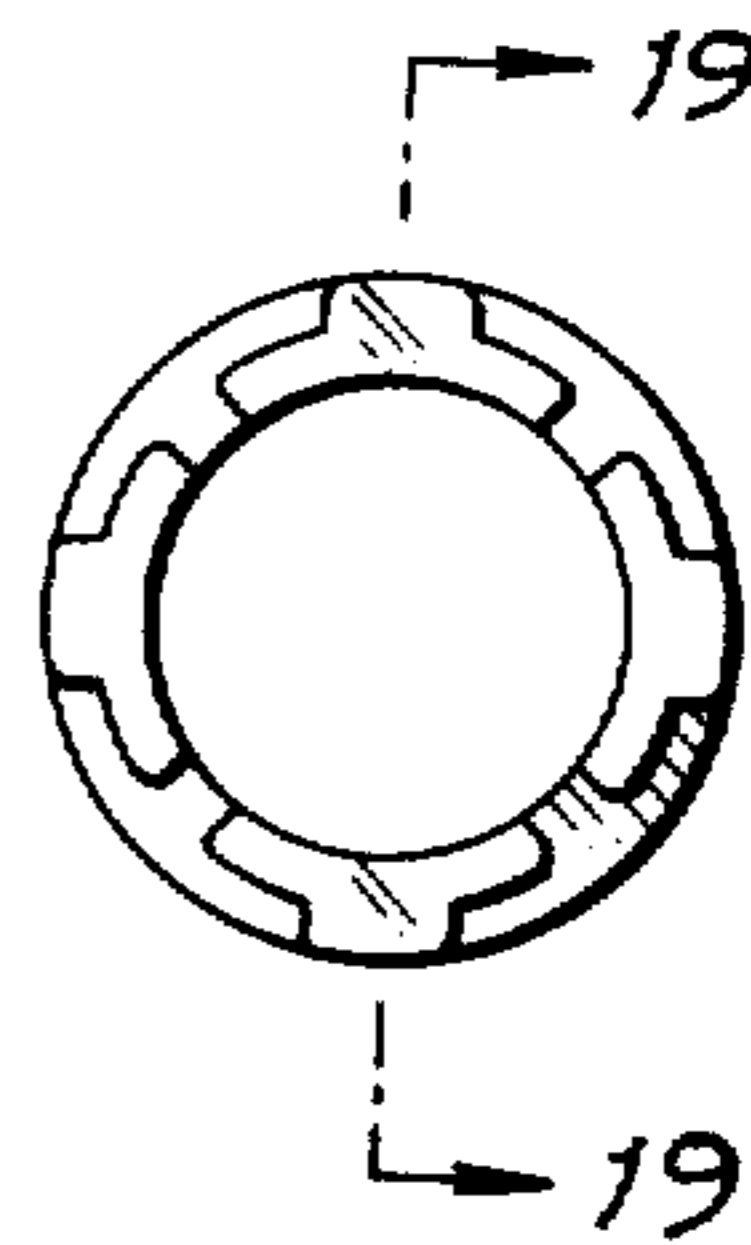


FIG. 18.

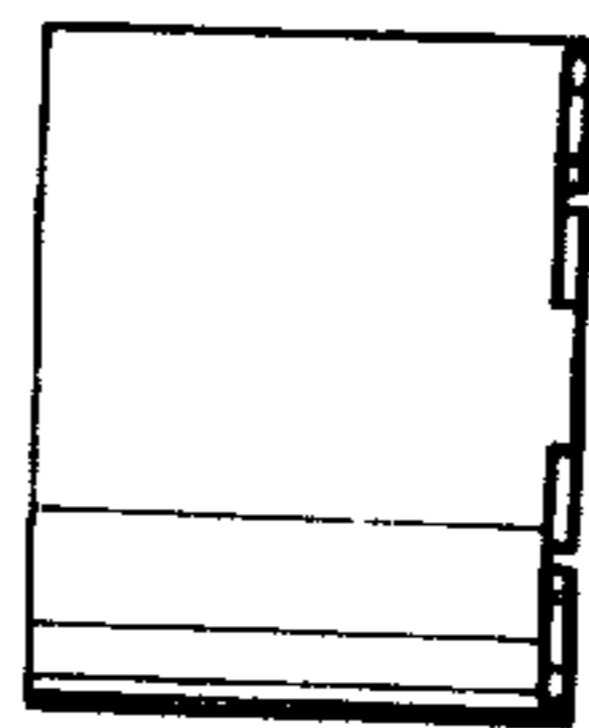


FIG. 19.

