

[54] HAND OPERATED TAG PRINTING MACHINE

D. 253,240 10/1979 Sato D18/19
4,094,724 6/1978 Sato 156/384

[75] Inventor: Yo Sato, Tokyo, Japan

Primary Examiner—Robert C. Spangler
Attorney, Agent, or Firm—Ostrolenk, Faber, Gerb & Soffen

[73] Assignee: Kabushiki Kaisha Sato Kenkyusho, Japan

[**] Term: 14 Years

[57] CLAIM

[21] Appl. No.: 117,268

The ornamental design for a hand operated tag printing machine, as shown.

[22] Filed: Jan. 31, 1980

DESCRIPTION

[51] Int. Cl. D18-02

[52] U.S. Cl. D18/19

[58] Field of Search D18/14, 19; 101/288; 156/DIG. 48, DIG. 49, 354, 384

FIG. 1 is a left-side elevational view of a hand operated tag printing machine showing my new design; FIG. 2 is a top plan view thereof; FIG. 3 is a bottom plan view thereof; FIG. 4 is a front elevational view, from the left in FIG. 1, thereof; FIG. 5 is a rear elevational view thereof; FIG. 6 is a right-side elevational view thereof; and FIG. 7 is a top perspective view from the left-side thereof.

[56] References Cited

U.S. PATENT DOCUMENTS

- D. 237,746 11/1975 Sato D18/19
- D. 247,389 2/1978 Sato D18/19
- D. 250,292 11/1978 Sato D18/19

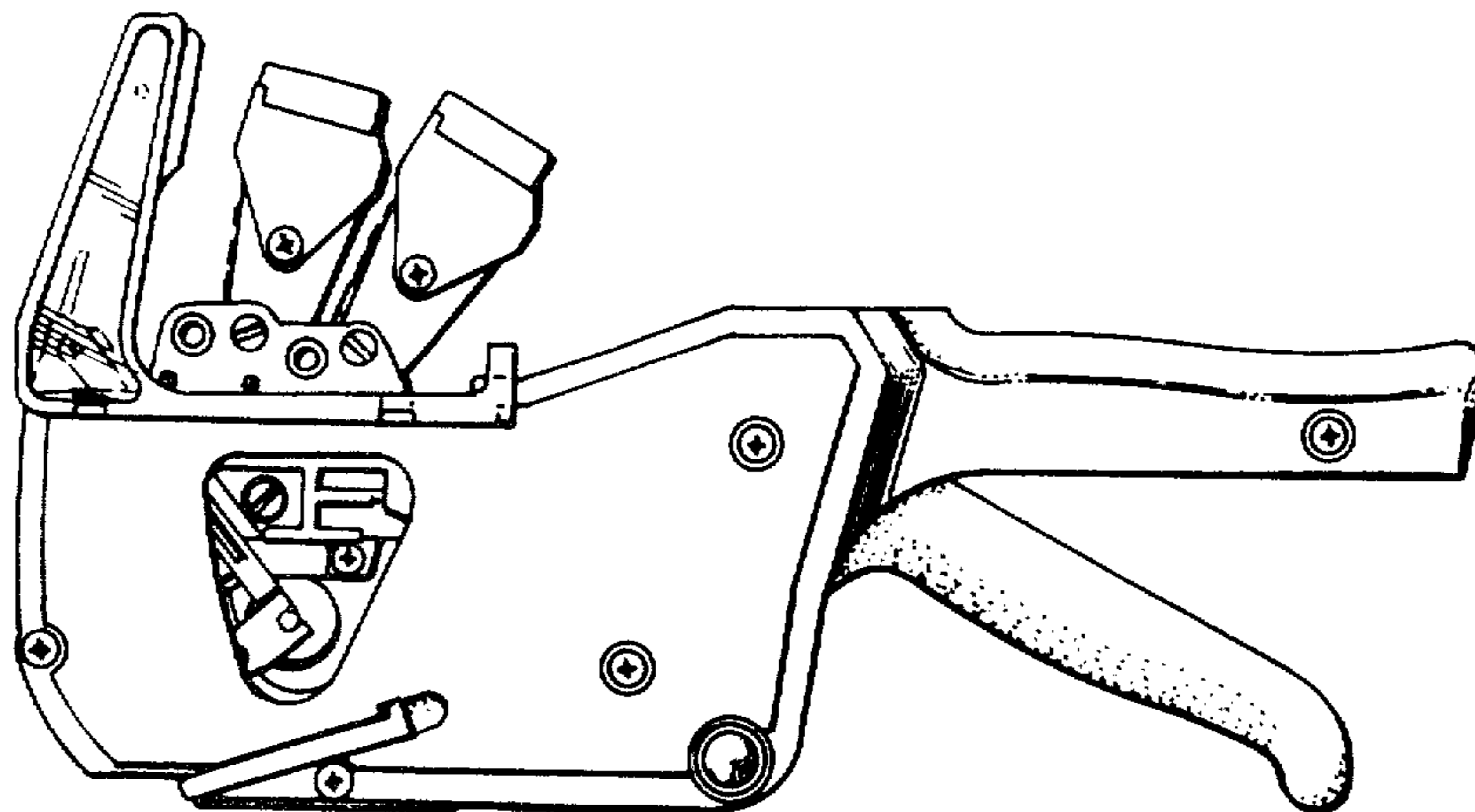


FIG. 2.

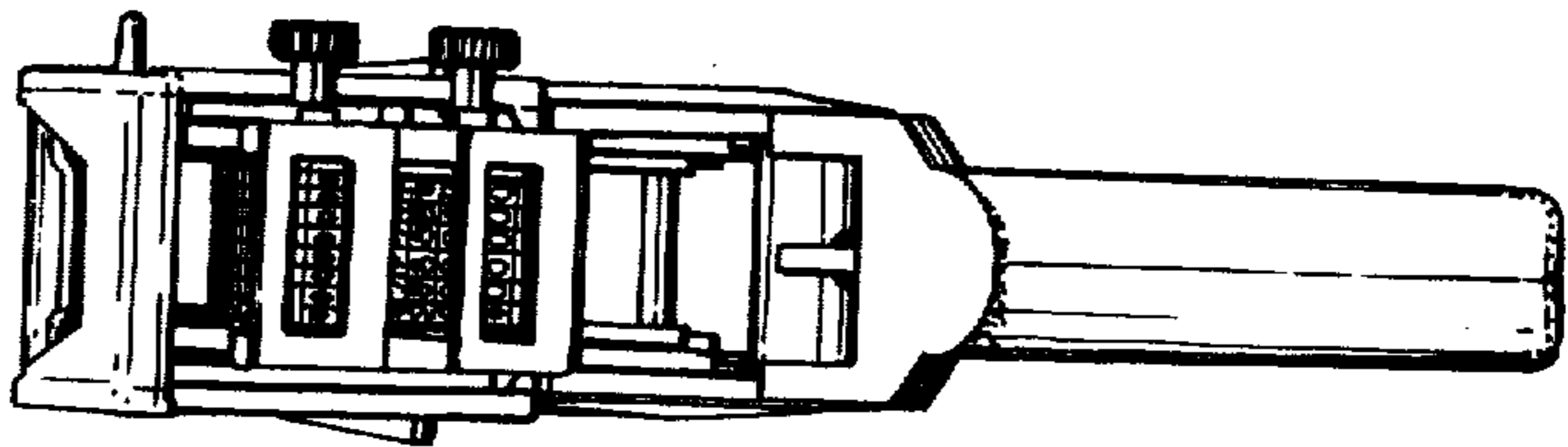


FIG. 4.

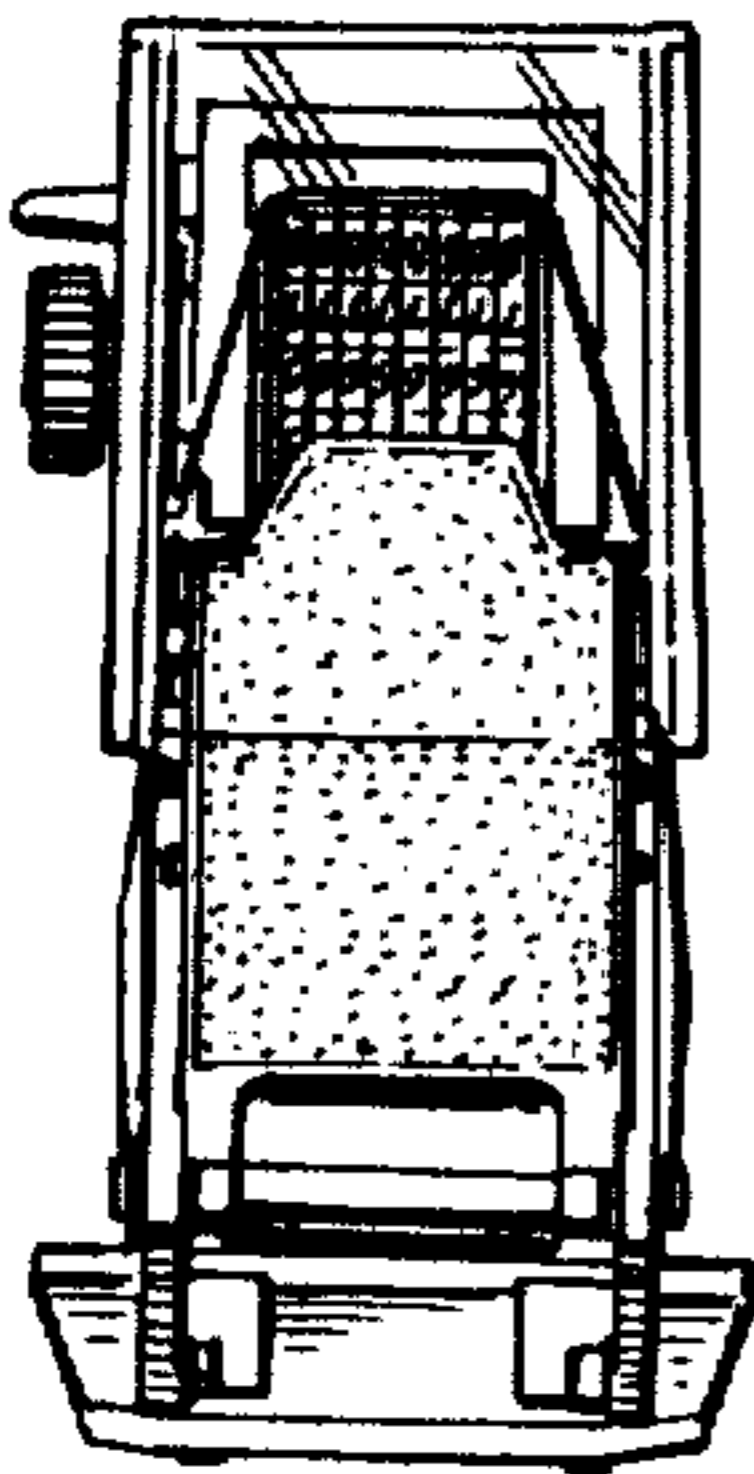


FIG. 1.

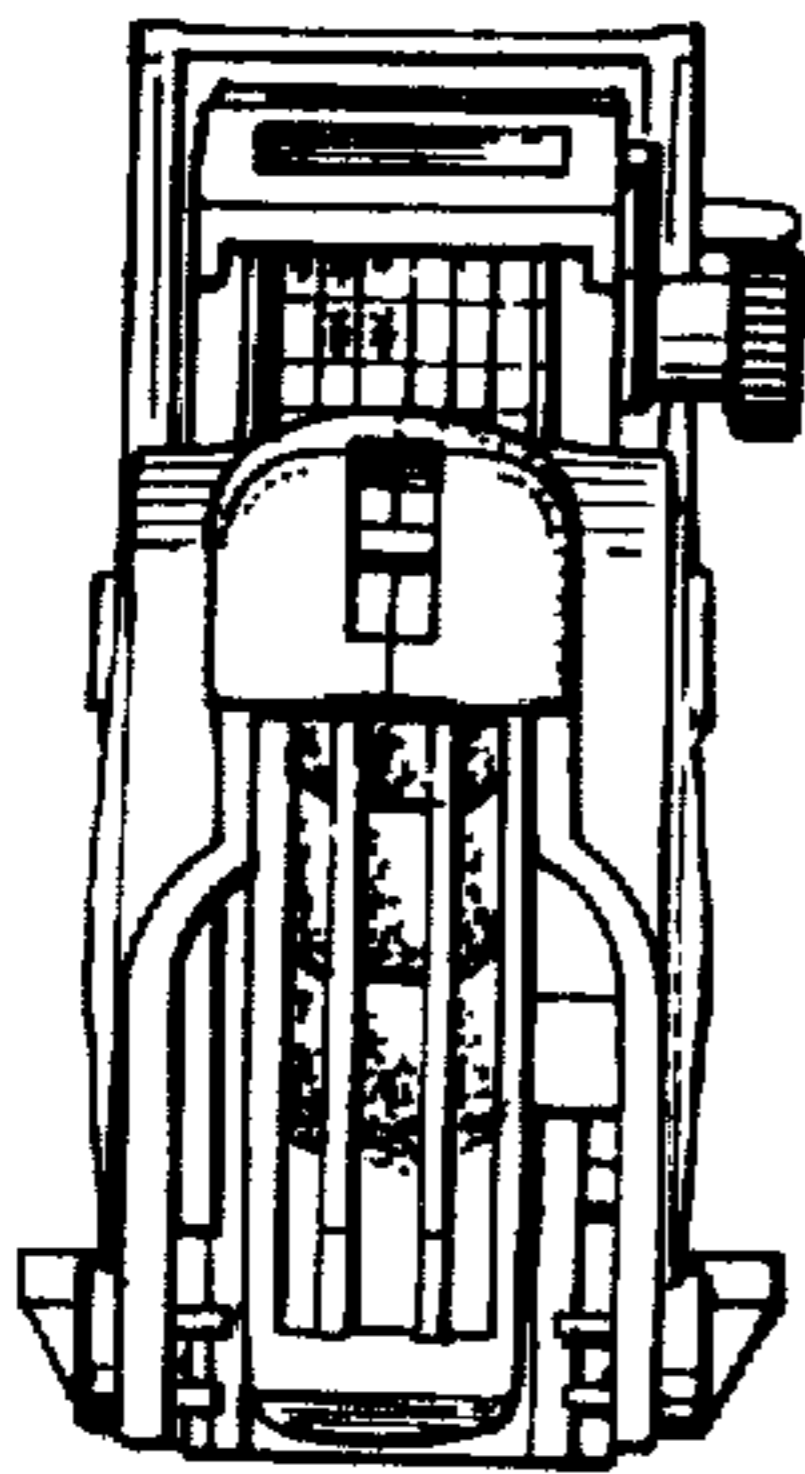
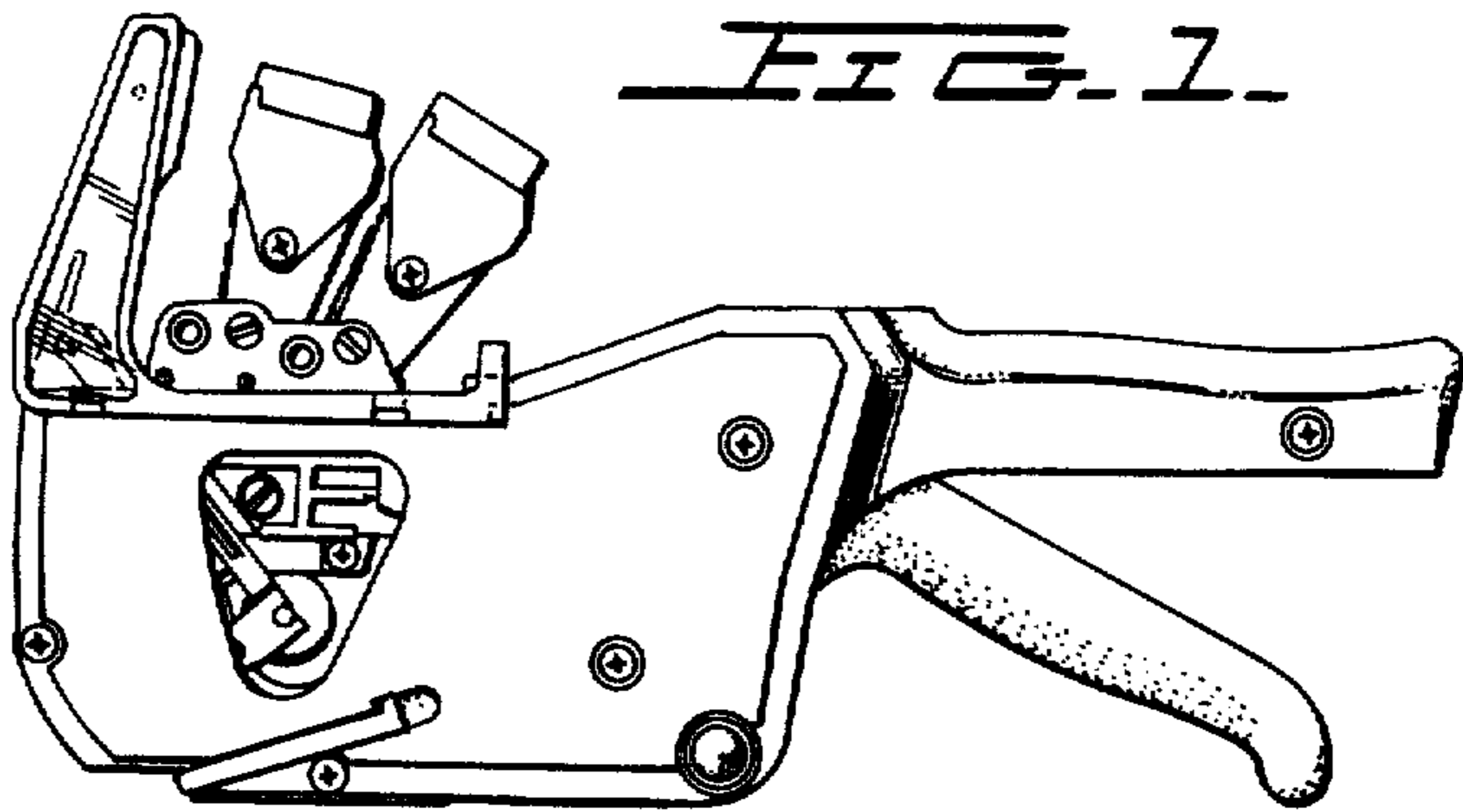


FIG. 5.

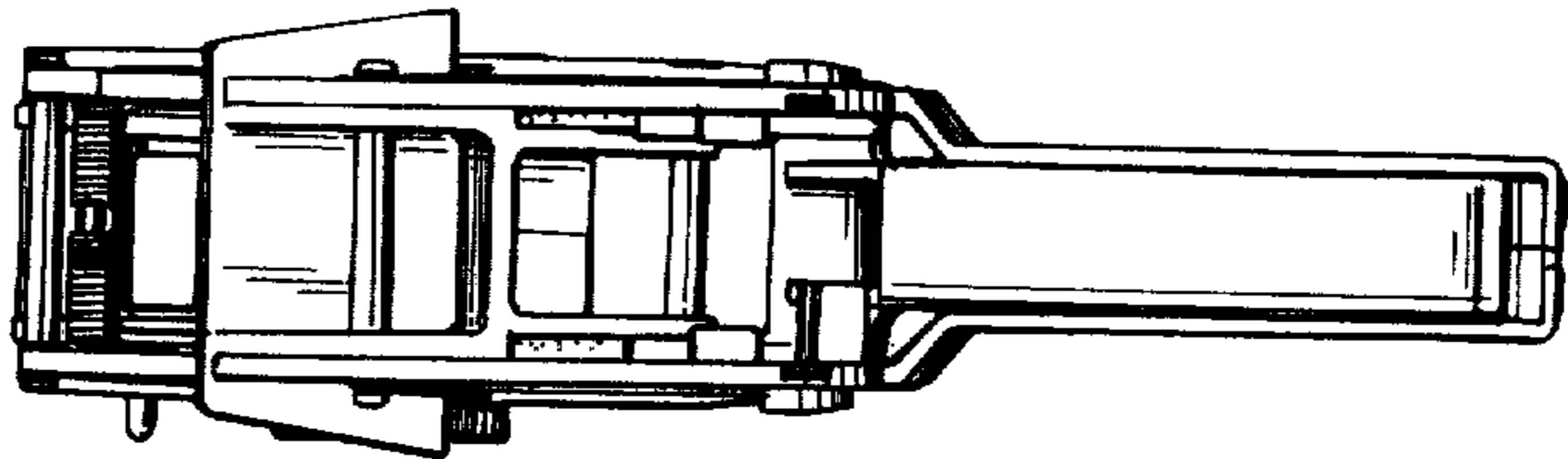


FIG. 3.

FIG. 6.

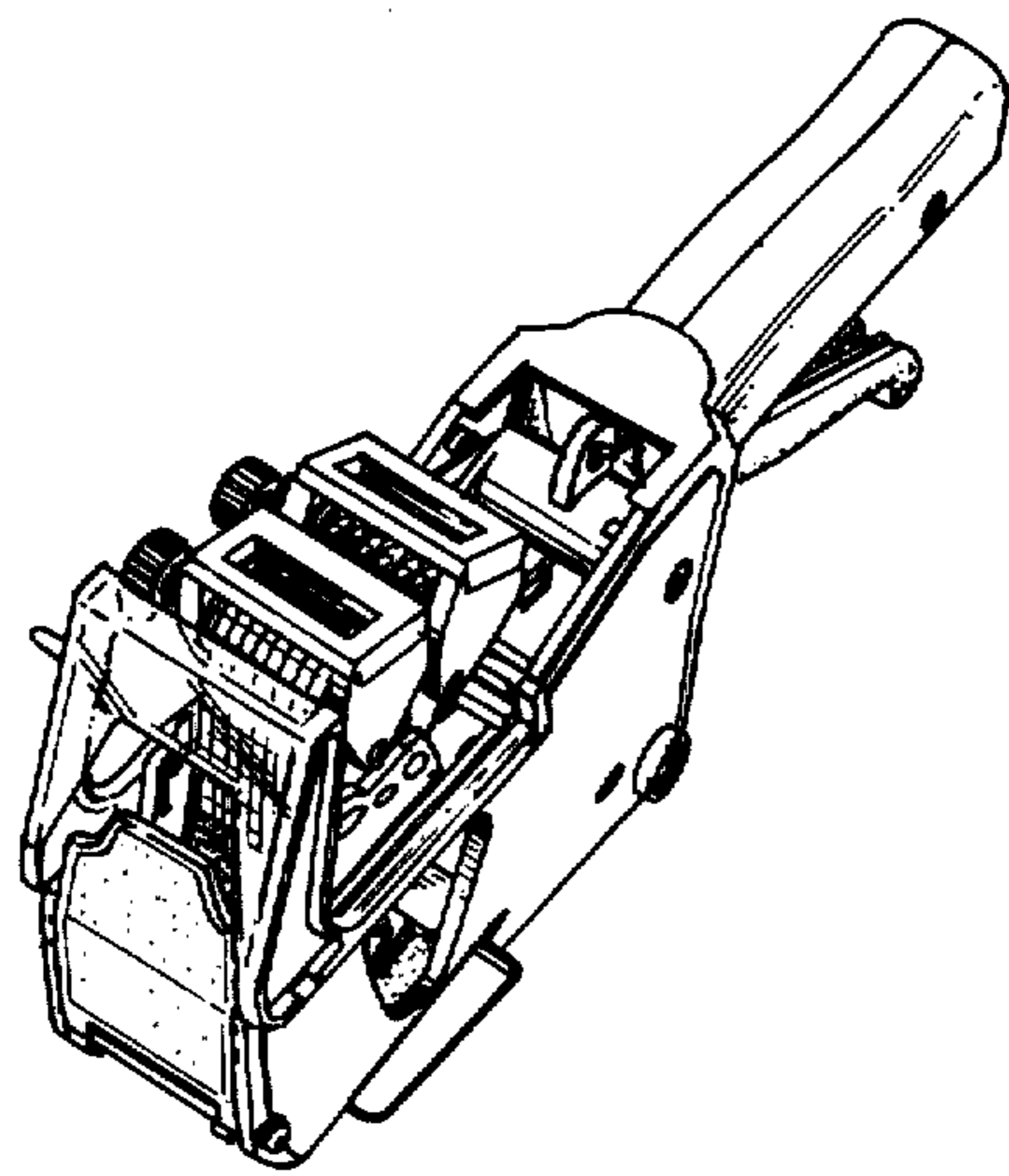
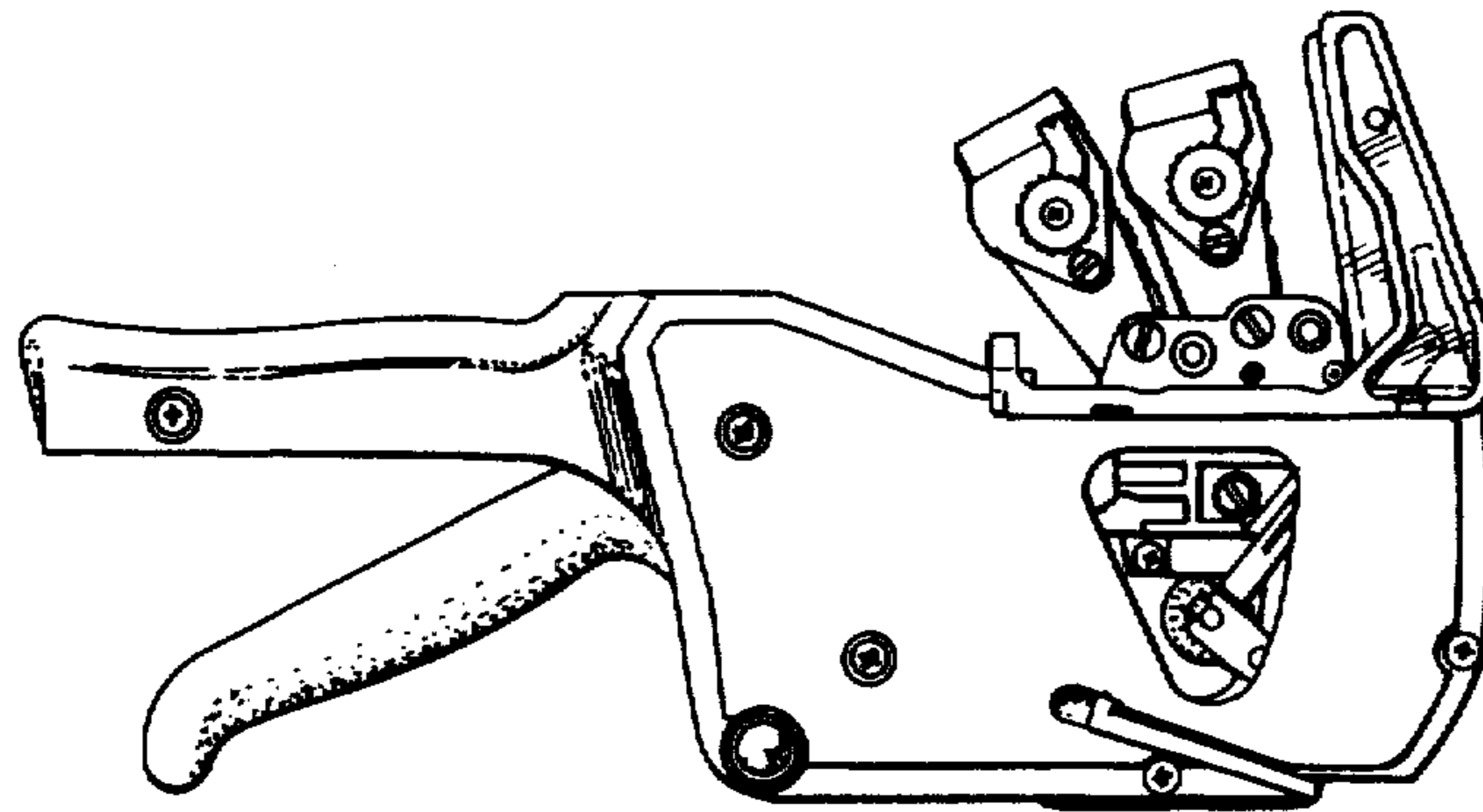


FIG. 7.