

[54] **THREE-WHEELED MOTOR VEHICLE**

[75] **Inventor:** **Stuart Pivar**, New York, N.Y.

[73] **Assignee:** **American Microcar, Inc.**,
Farmingdale, N.Y.

[**] **Term:** **14 Years**

[21] **Appl. No.:** **110,089**

[22] **Filed:** **Jan. 7, 1980**

[51] **Int. Cl.** **D12-08; D12-11**

[52] **U.S. Cl.** **D12/85; D12/112**

[58] **Field of Search** **D12/85, 112; 280/281 B;**
180/210, 215, 216, 217

[56] **References Cited**

U.S. PATENT DOCUMENTS

D. 253,101 10/1979 Pivar D12/85

Primary Examiner—James M. Gandy
Attorney, Agent, or Firm—Posnack, Roberts, Cohen &
Spiezens

[57] **CLAIM**

The ornamental design for a three-wheeled motor vehicle, substantially as shown and described.

DESCRIPTION

FIG. 1 is a top plan view of a three-wheeled motor vehicle embodying my design;
FIG. 2 is a right side elevational view thereof;
FIG. 3 is a left side elevational view thereof;
FIG. 4 is a front elevational view thereof;
FIG. 5 is a bottom plan view thereof; and
FIG. 6 is a rear elevational view thereof.

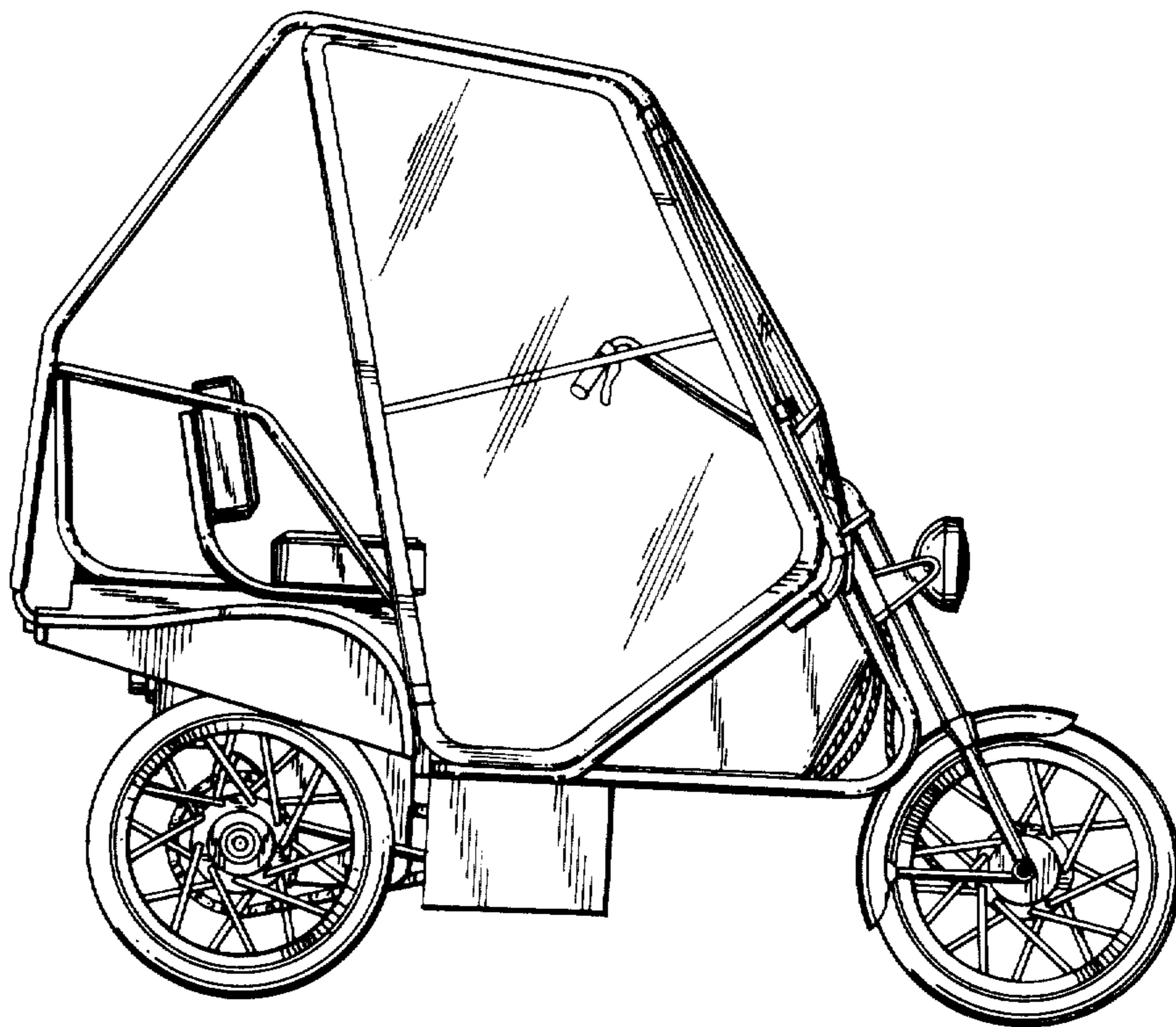


FIG. 1

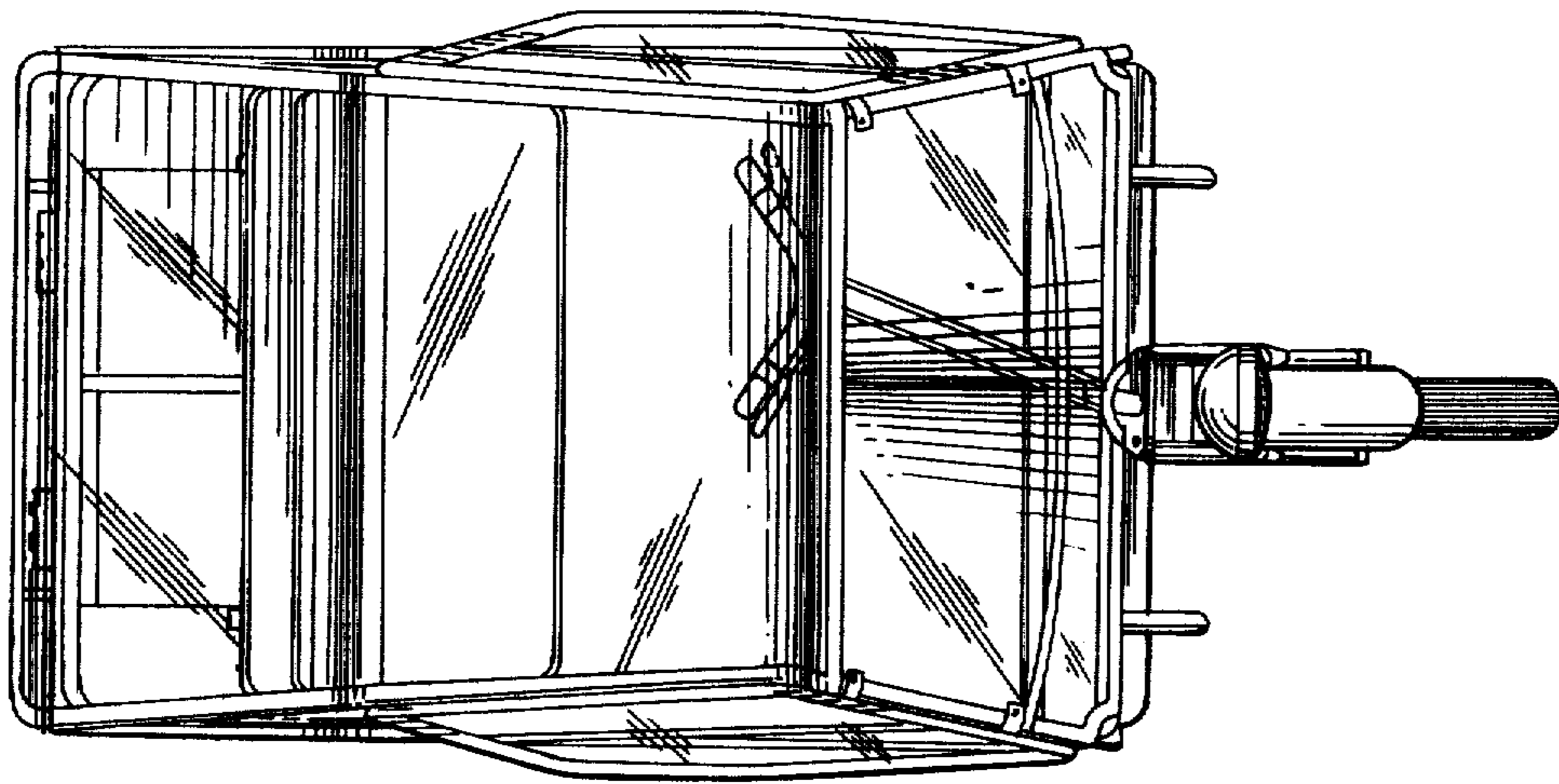


FIG. 2

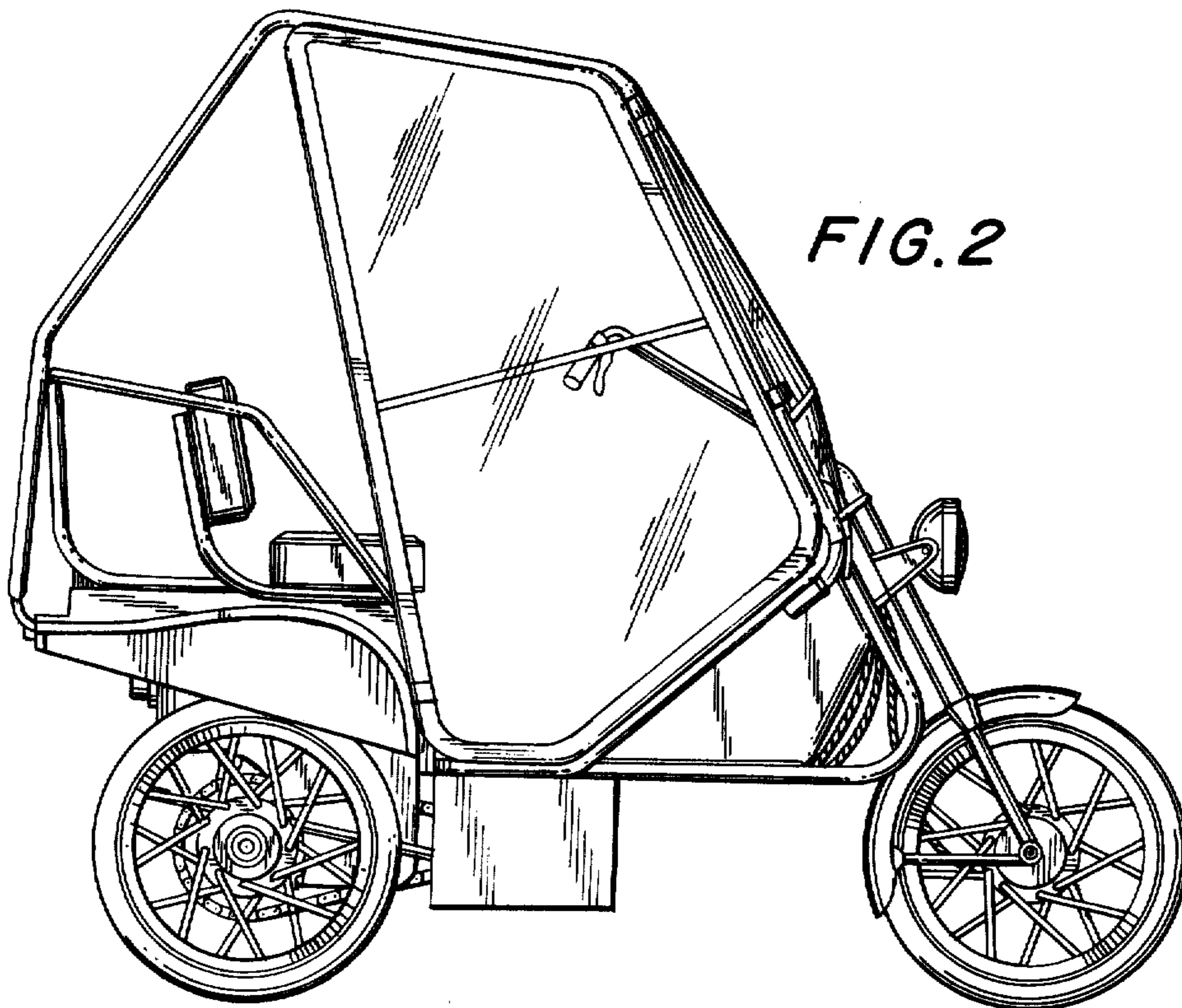


FIG. 3

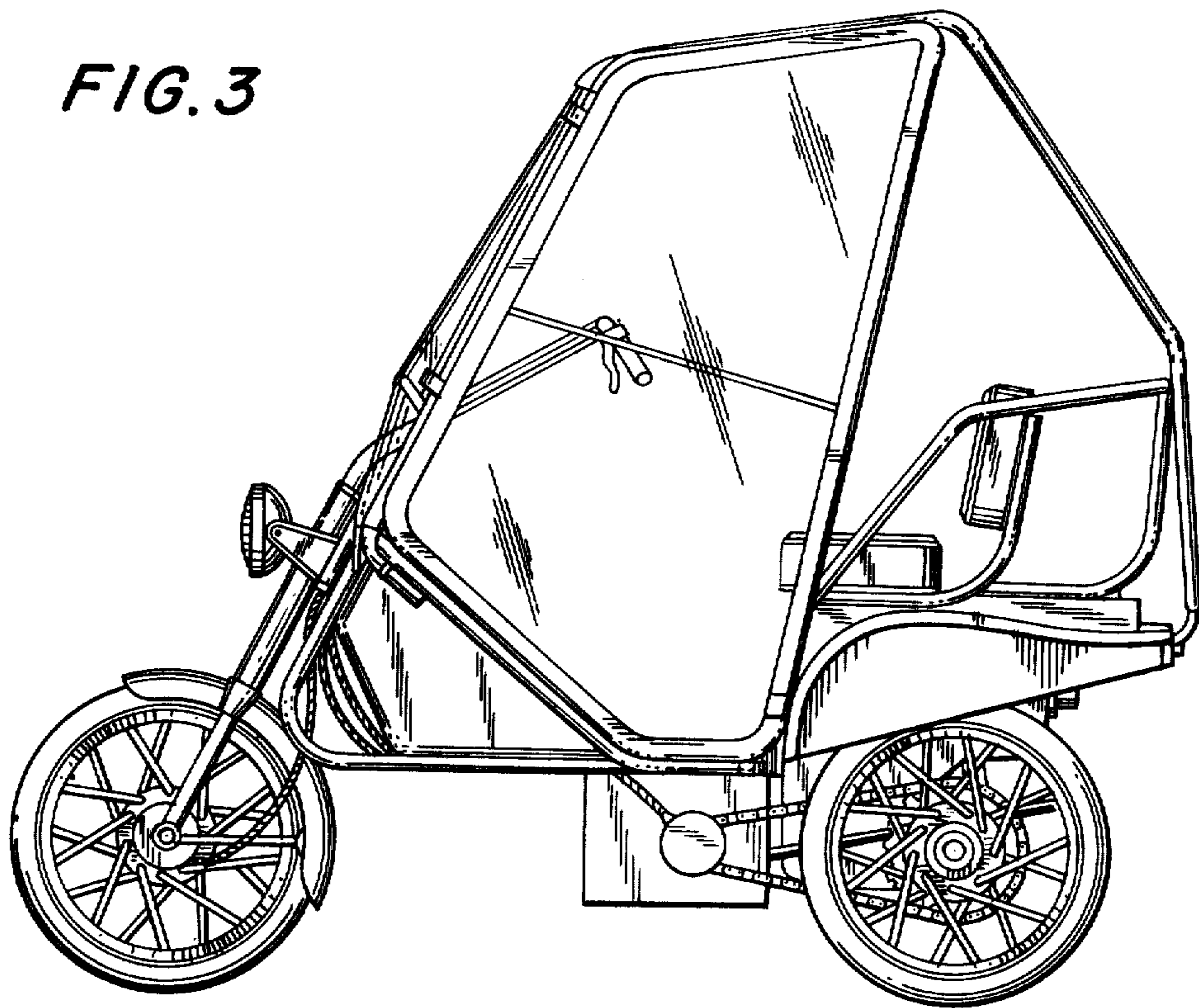


FIG. 4

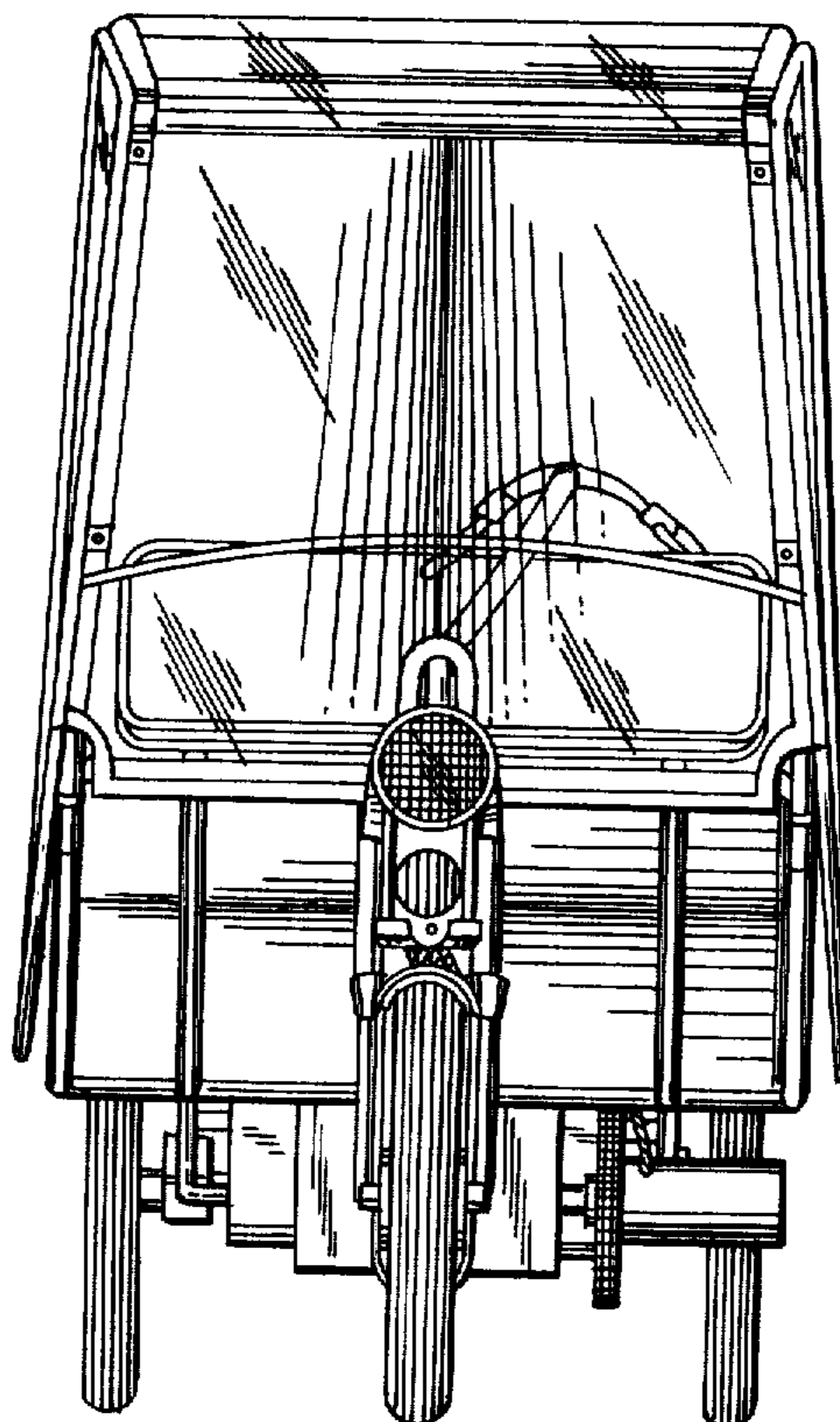


FIG. 5

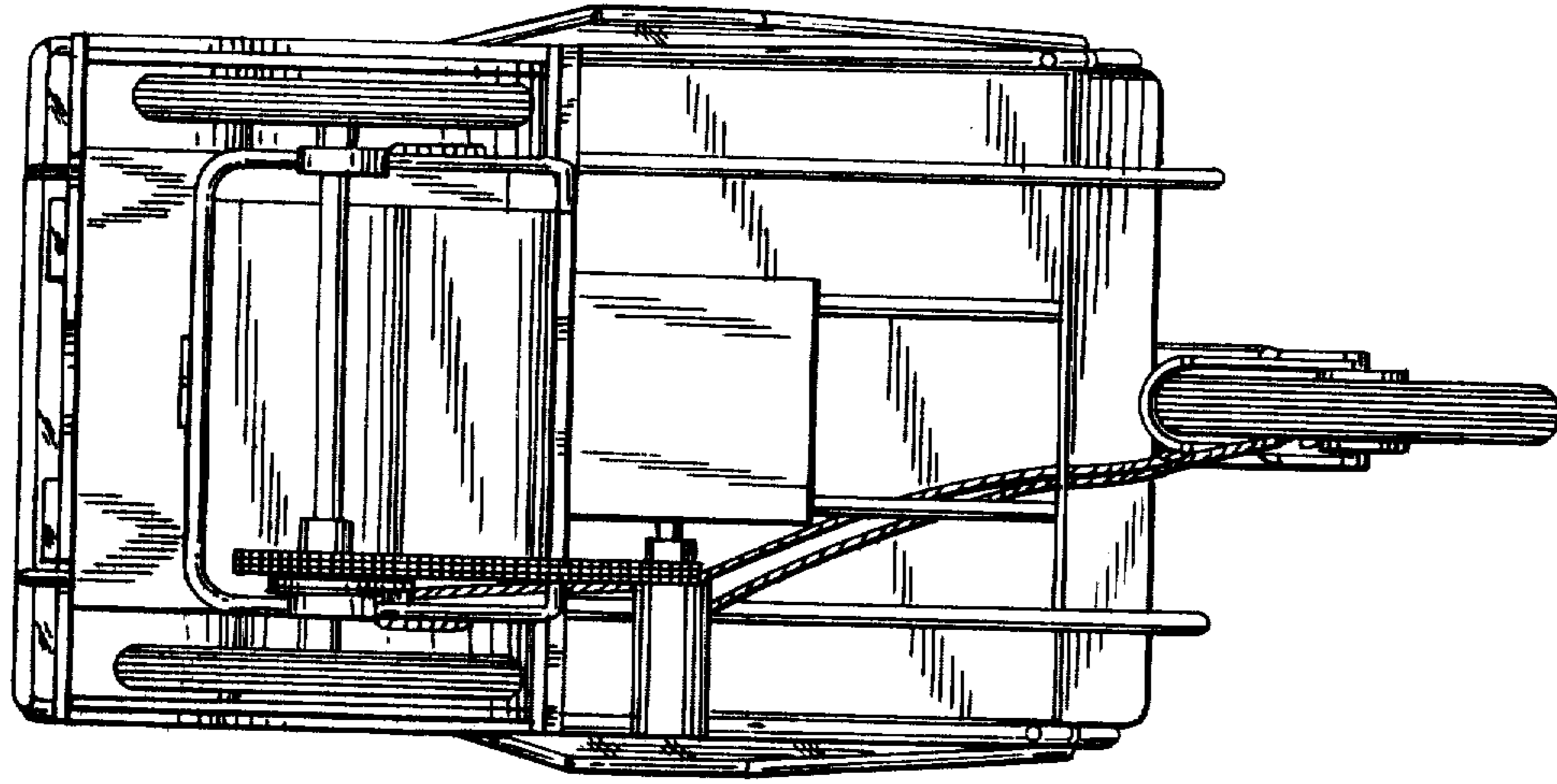


FIG. 6

