

[54] MATERIAL STACKING BIN FOR USE WITH A PALLET

[76] Inventor: Ian M. Lasscock, P.O. Box 42, Lockleys, Australia, 5032

[\*\*] Term: 14 Years

[21] Appl. No.: 123,912

[22] Filed: Feb. 22, 1980

[30] Foreign Application Priority Data

Nov. 5, 1979 [AU] Australia .....79463

[51] Int. Cl. .... D9-08

[52] U.S. Cl. .... D34/38

[58] Field of Search ..... D12/53; 206/386, 599, 206/509, 511; 108/56.1, 55.1; 217/43 A; 220/1.5

[56] References Cited

U.S. PATENT DOCUMENTS

2,756,894 7/1956 Phillips ..... D12/53

FOREIGN PATENT DOCUMENTS

2730445 1/1979 Fed. Rep. of Germany ..... 206/386

Primary Examiner—James M. Gandy

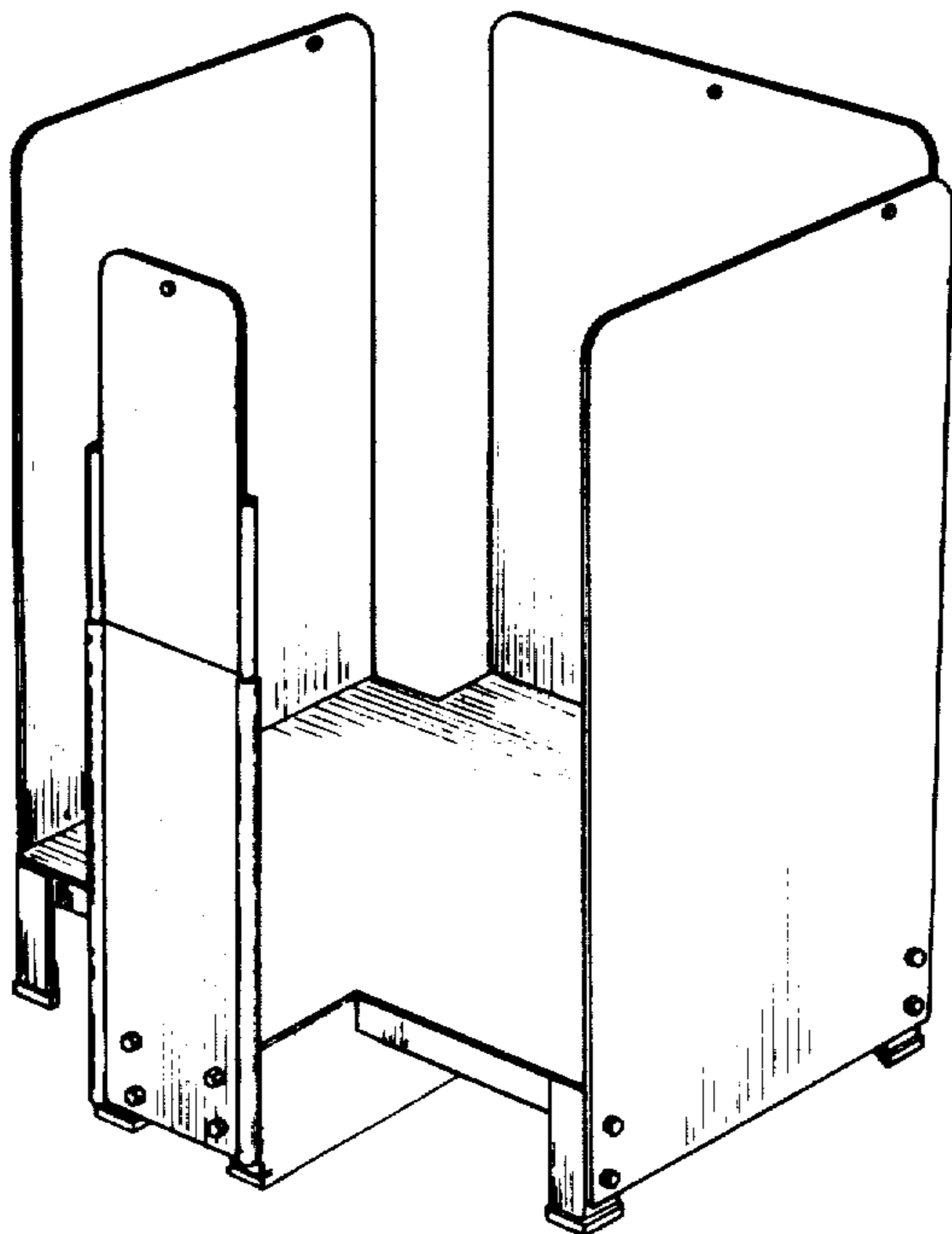
Attorney, Agent, or Firm—Stanley G. Ade

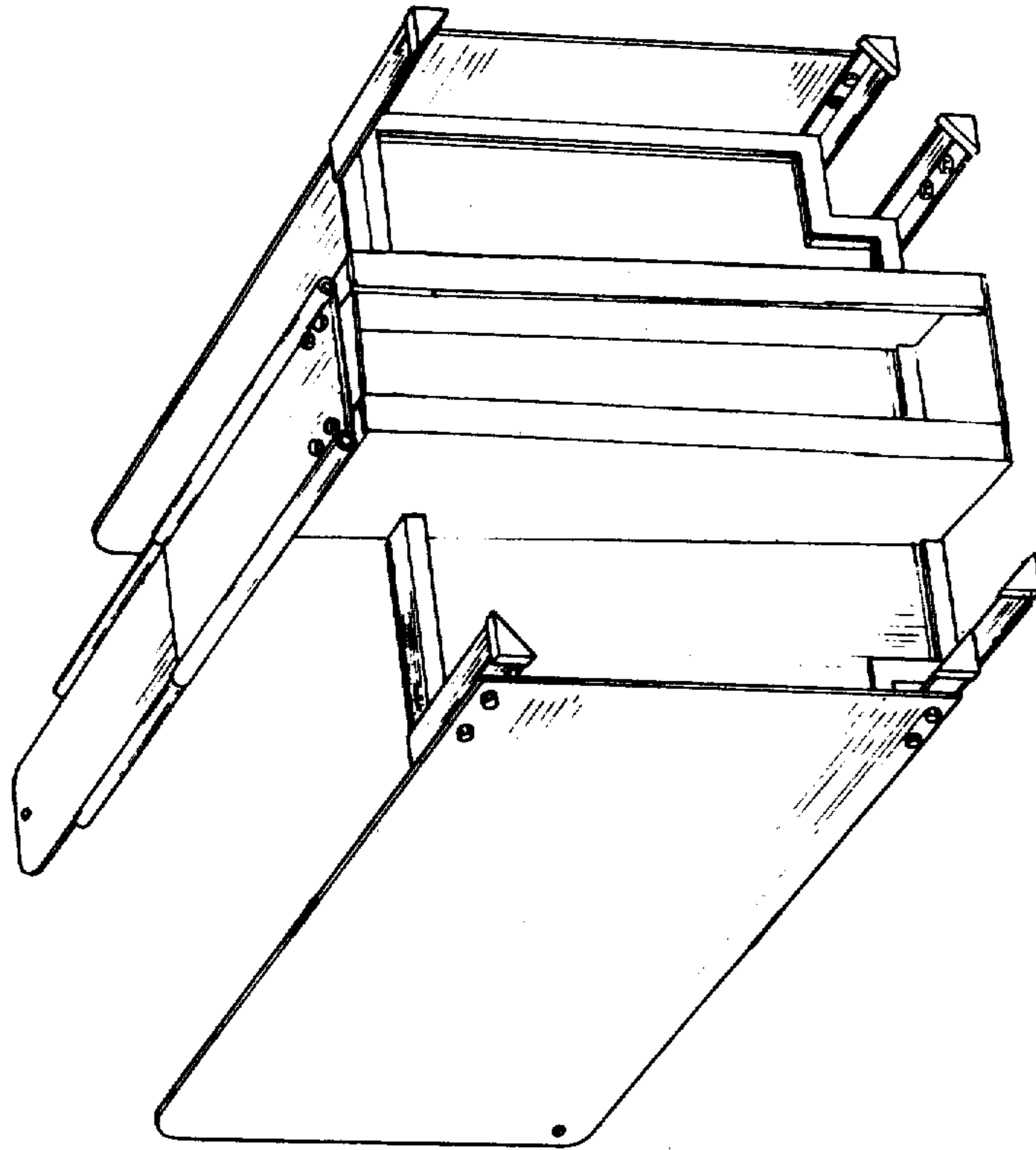
[57] CLAIM

The ornamental design for a material stacking bin for use with a pallet, as shown.

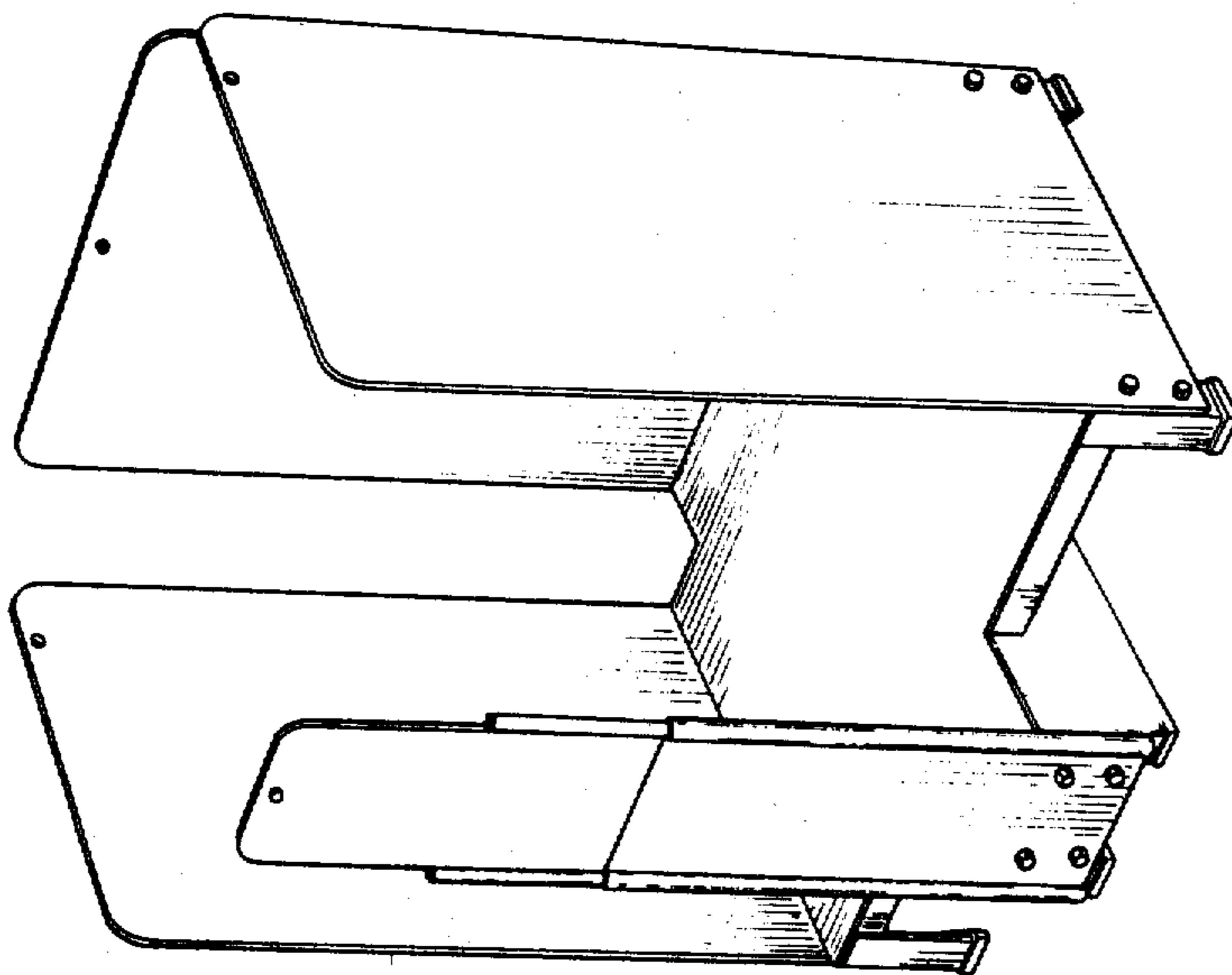
DESCRIPTION

FIG. 1 is a side perspective view of a material stacking bin for use with a pallet showing my new design; FIG. 2 is a bottom perspective view thereof; FIG. 3 is a perspective view thereof of the side opposite to that shown in FIG. 1; and FIG. 4 is a top perspective view thereof.

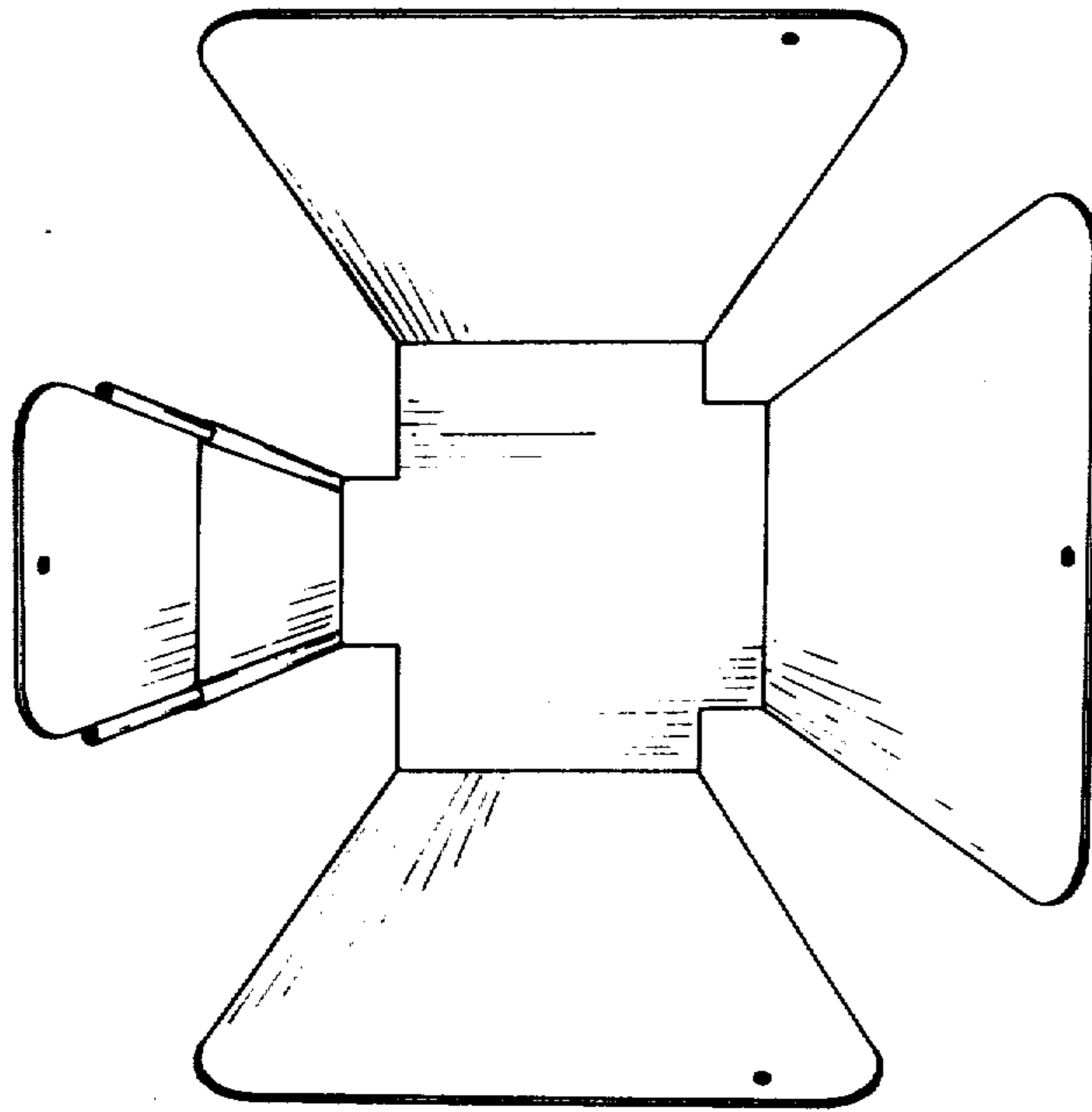




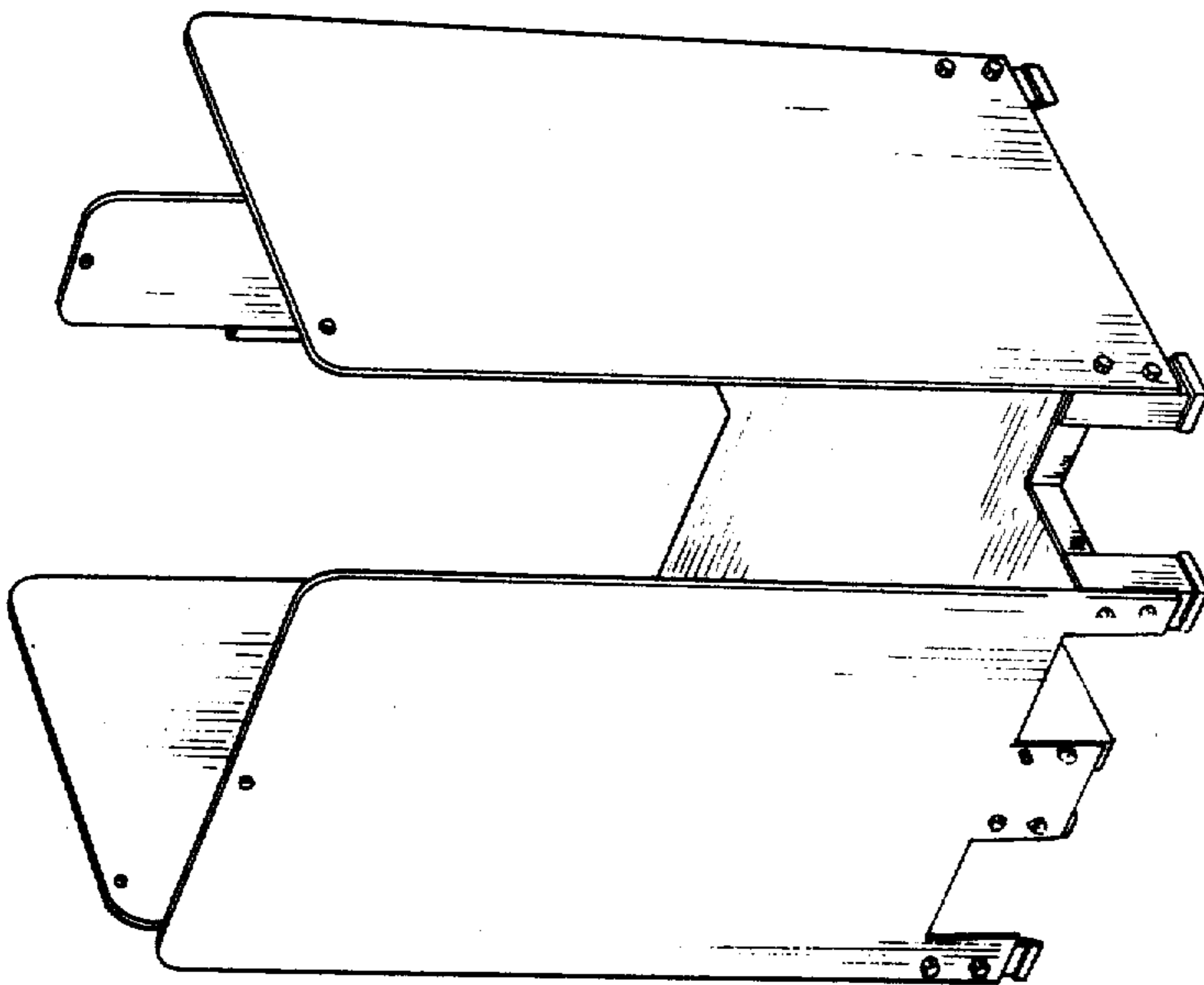
**FIG 2**



**FIG 1**



**FIG 4**



**FIG 3**