

[54] LAWN ORNAMENT

[76] Inventor: Thomas L. Laurent, P.O. Box 136, Coffeen, Ill. 62017

[**] Term: 14 Years

[21] Appl. No.: 20,236

[22] Filed: Mar. 13, 1979

Related U.S. Application Data

[63] Continuation-in-part of Ser. No. 730,796, Oct. 8, 1976, abandoned.

[51] Int. Cl. D11-02

[52] U.S. Cl. D11/159; D21/149

[58] Field of Search D11/47, 53, 83, 101, D11/105, 131-136, 157-160; D19/97; D21/148, 165, 166, 51, 52, 149; 428/13-16; 46/108; 296/36, 180; D12/17, 19

[56] References Cited

U.S. PATENT DOCUMENTS

D. 65,741 10/1924 Hartman D21/149 X
D. 188,551 8/1960 Rassier D21/149 X
323,552 8/1885 Andersen 296/36

OTHER PUBLICATIONS

Gifts & Decorative Accessories, 10/1976, inside back cover-coal wagon at top.

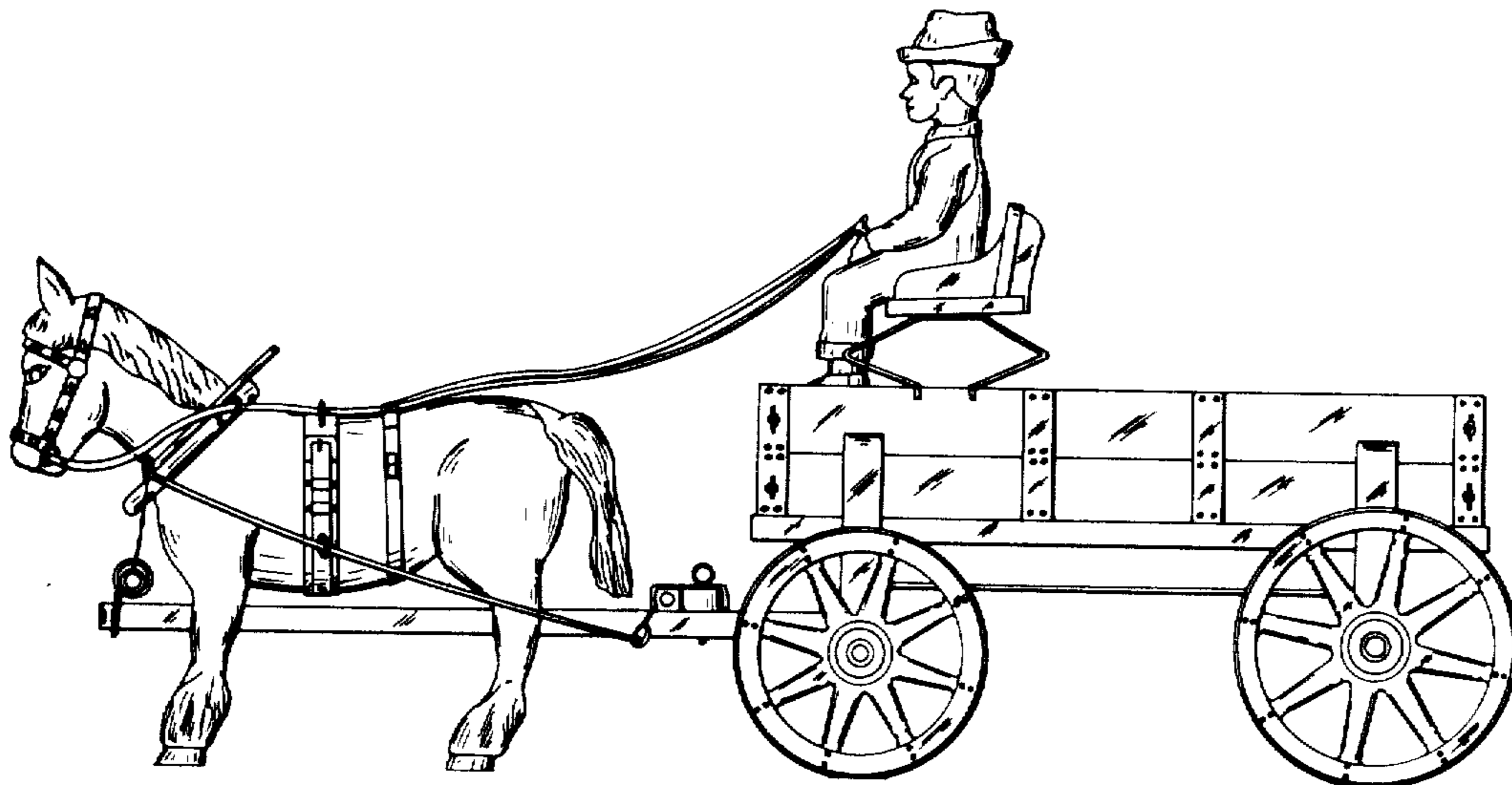
Primary Examiner—Louis S. Zarfes
Attorney, Agent, or Firm—Grace J. Fishel

[57] CLAIM

The ornamental design for a lawn ornament, as shown and described.

DESCRIPTION

FIG. 1 is a right side elevational view of a lawn ornament showing my new design;
FIG. 2 is a top plan view thereof;
FIG. 3 is a front elevational view thereof; and,
FIG. 4 is a rear elevational view thereof.



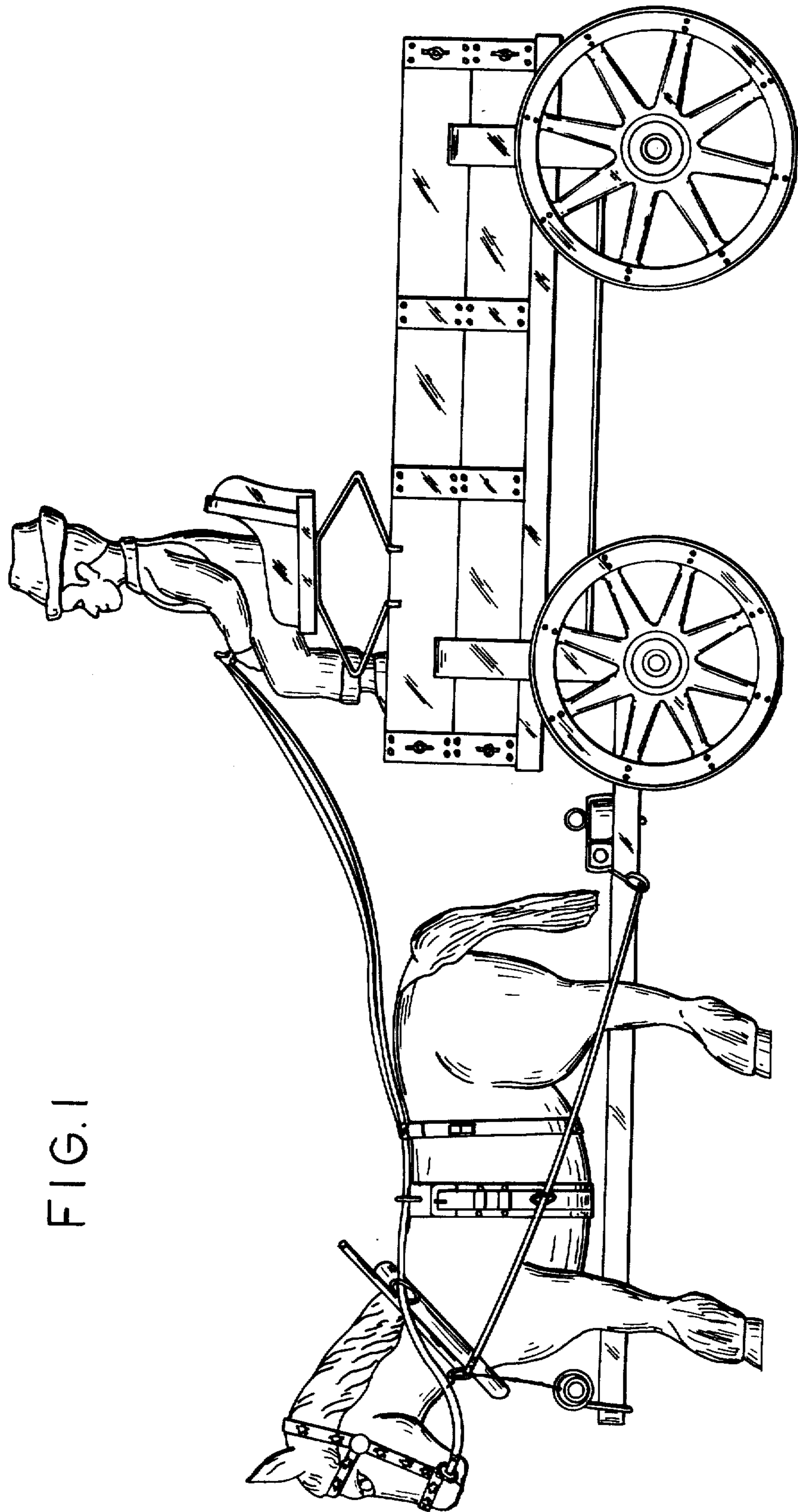


FIG. 1

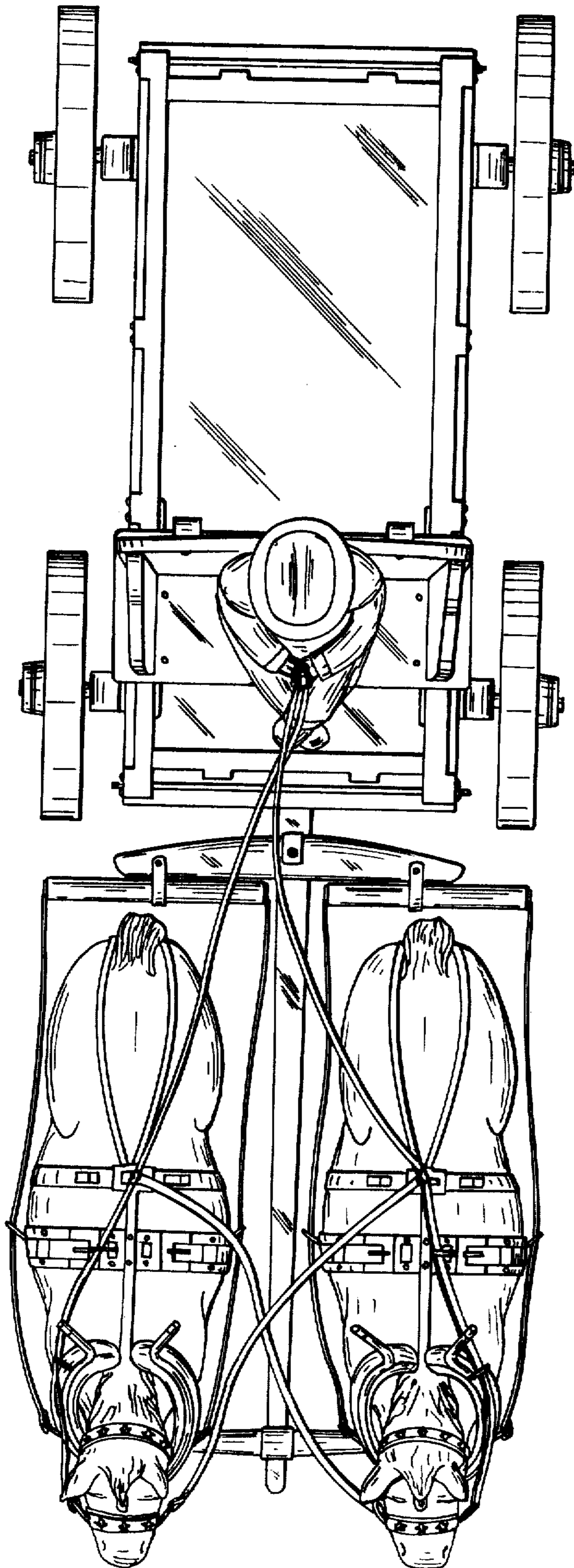


FIG. 2

FIG. 3

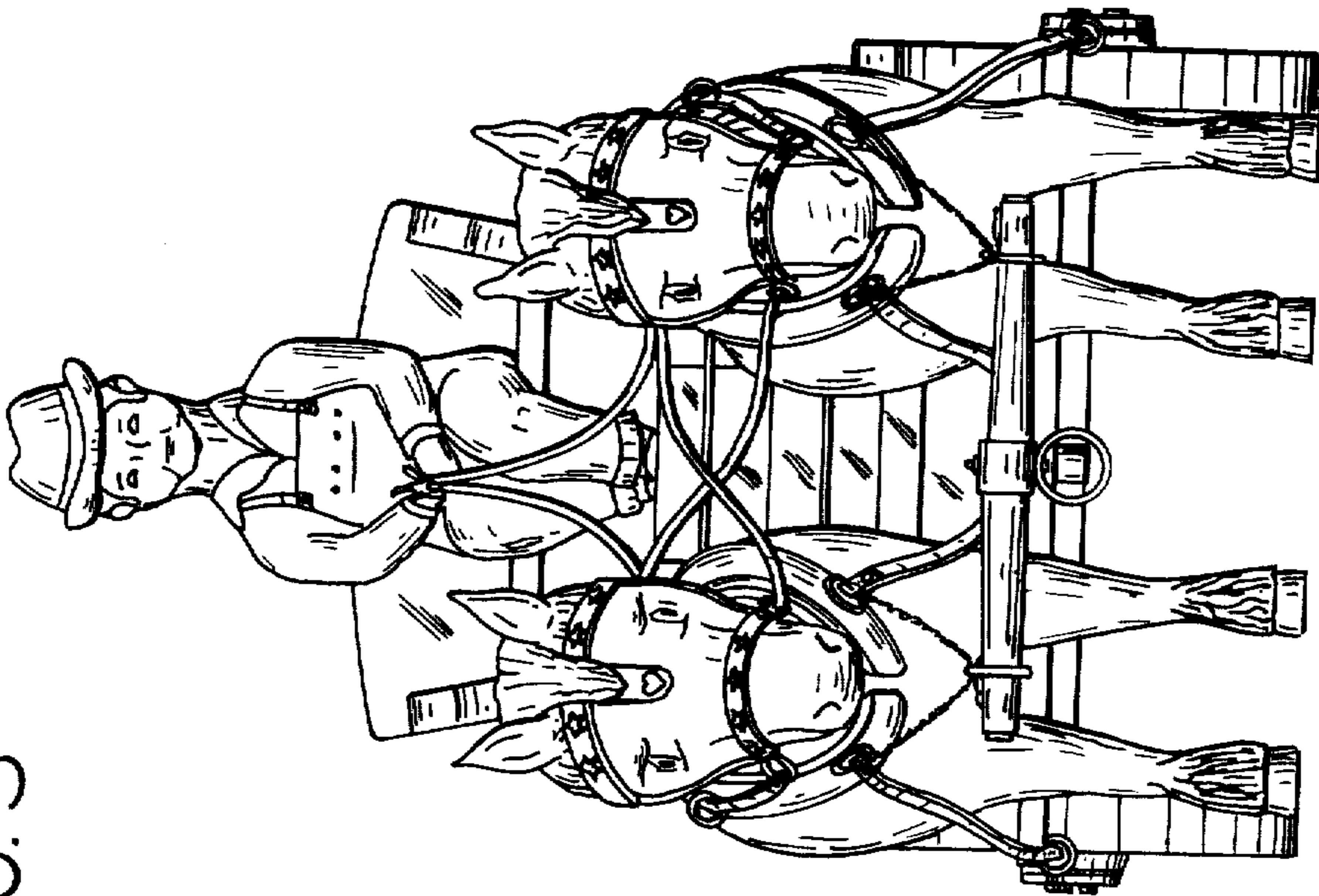


FIG. 4

