

[54] MOISTURE ALARM HOUSING  
[76] Inventor: Jerry K. Kelley, 3121 N. Nottingham, Chicago, Ill. 60634

3,874,403 4/1975 Fischer ..... 340/605 X  
4,001,531 1/1977 Crockett, Sr. .... 340/604 X  
4,080,593 3/1978 Gernandt et al. .... 340/605

[\*\*] Term: 14 Years  
[21] Appl. No.: 106,389  
[22] Filed: Dec. 26, 1979

Primary Examiner—A. Hugo Word  
Attorney, Agent, or Firm—Kinzer, Plyer, Dorn & McEachran

[51] Int. Cl. .... D10—05  
[52] U.S. Cl. .... D10/106  
[58] Field of Search ..... D10/106, 121; 340/604, 340/605, 602, 540; D13/12, 41

[57] CLAIM  
The ornamental design for a moisture alarm housing, substantially as shown.

[56] References Cited  
U.S. PATENT DOCUMENTS  
3,440,396 4/1969 Greene, Jr. .... 340/602 X

DESCRIPTION  
FIG. 1 is a perspective view of a moisture alarm housing embodying the design of the present invention; FIG. 2 is a plan view of the moisture alarm housing; FIG. 3 is a side elevation view of the moisture alarm housing; and FIG. 4 is a bottom view of the moisture alarm housing.

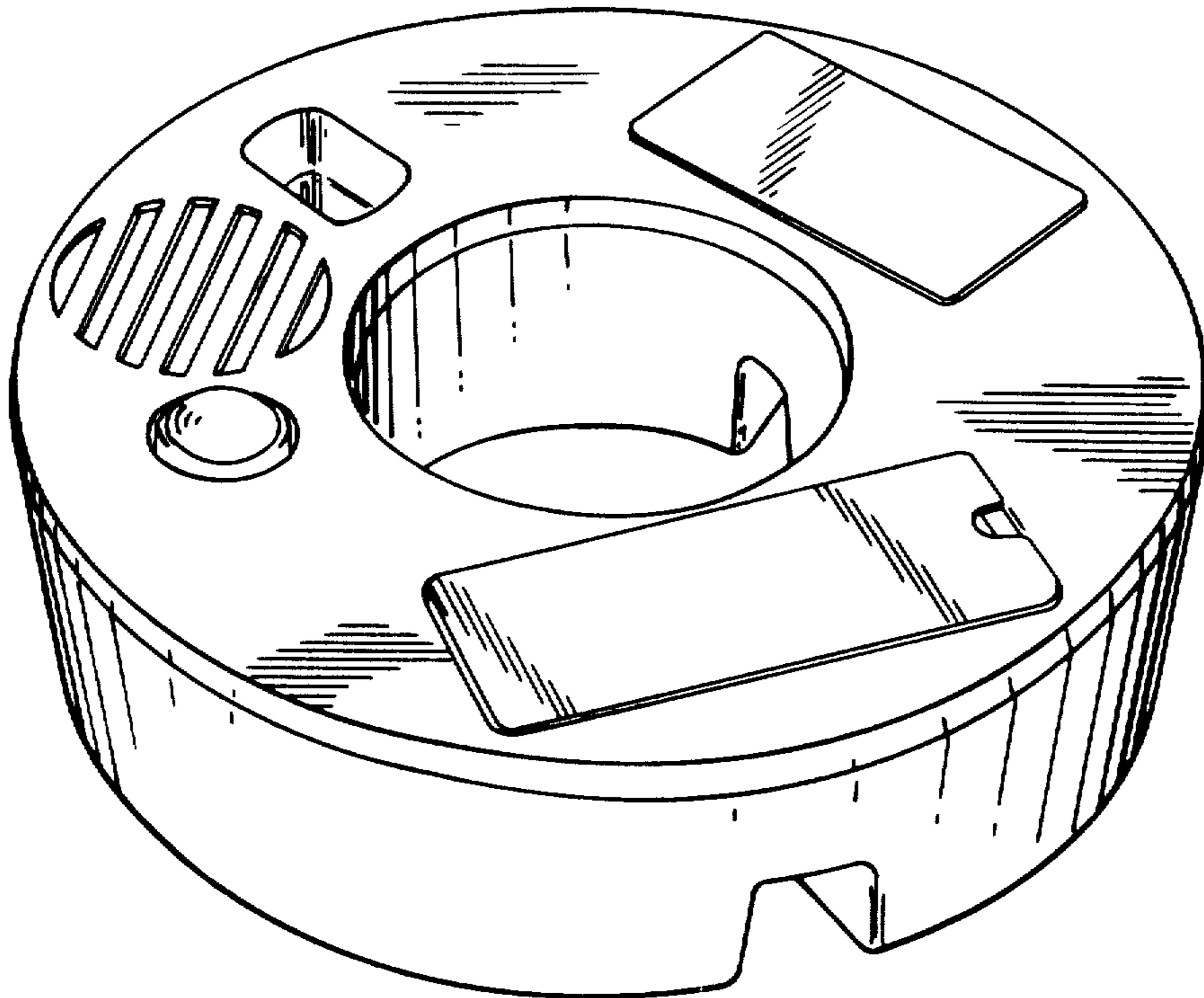


fig.1.

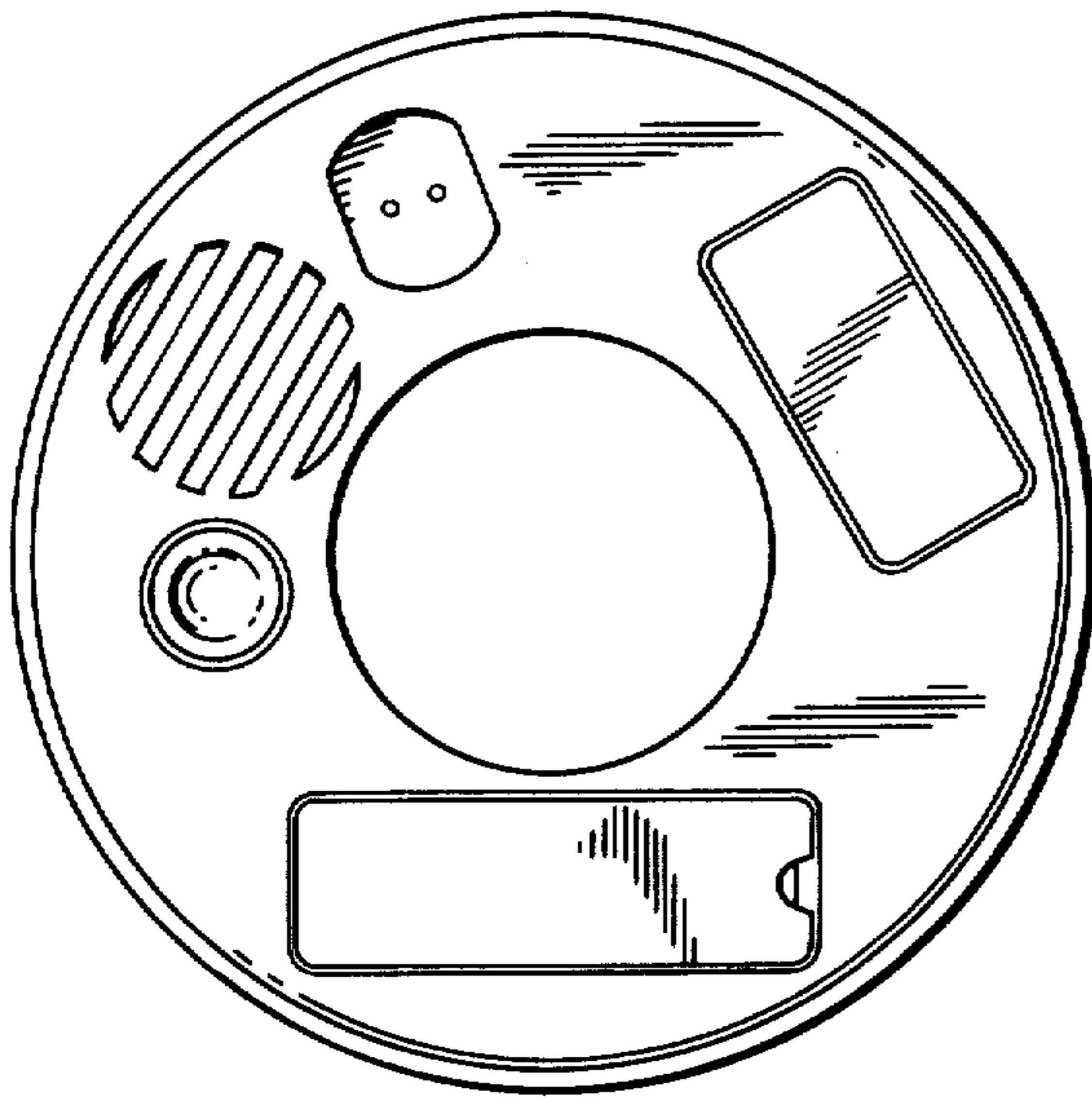
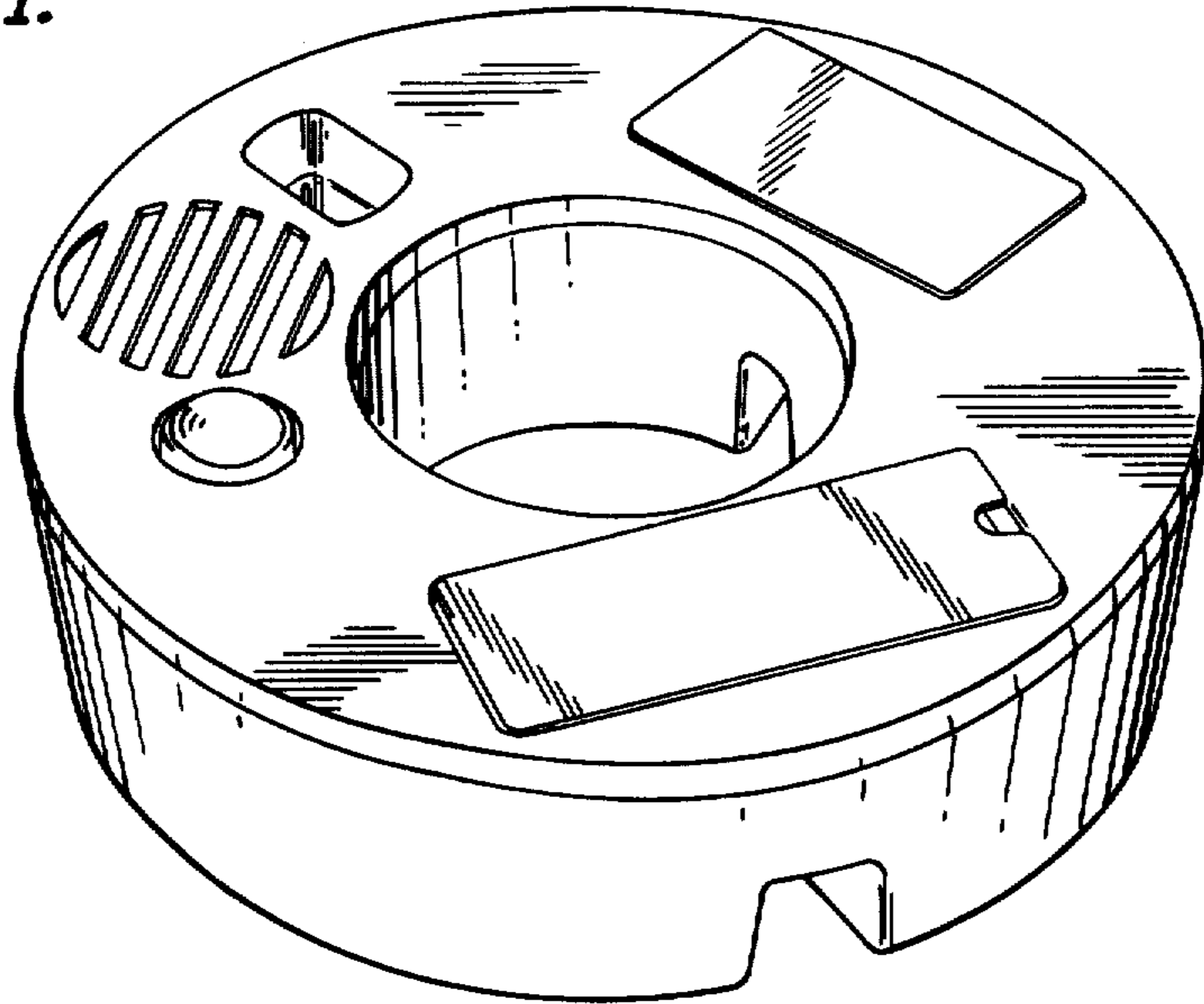


fig.2.

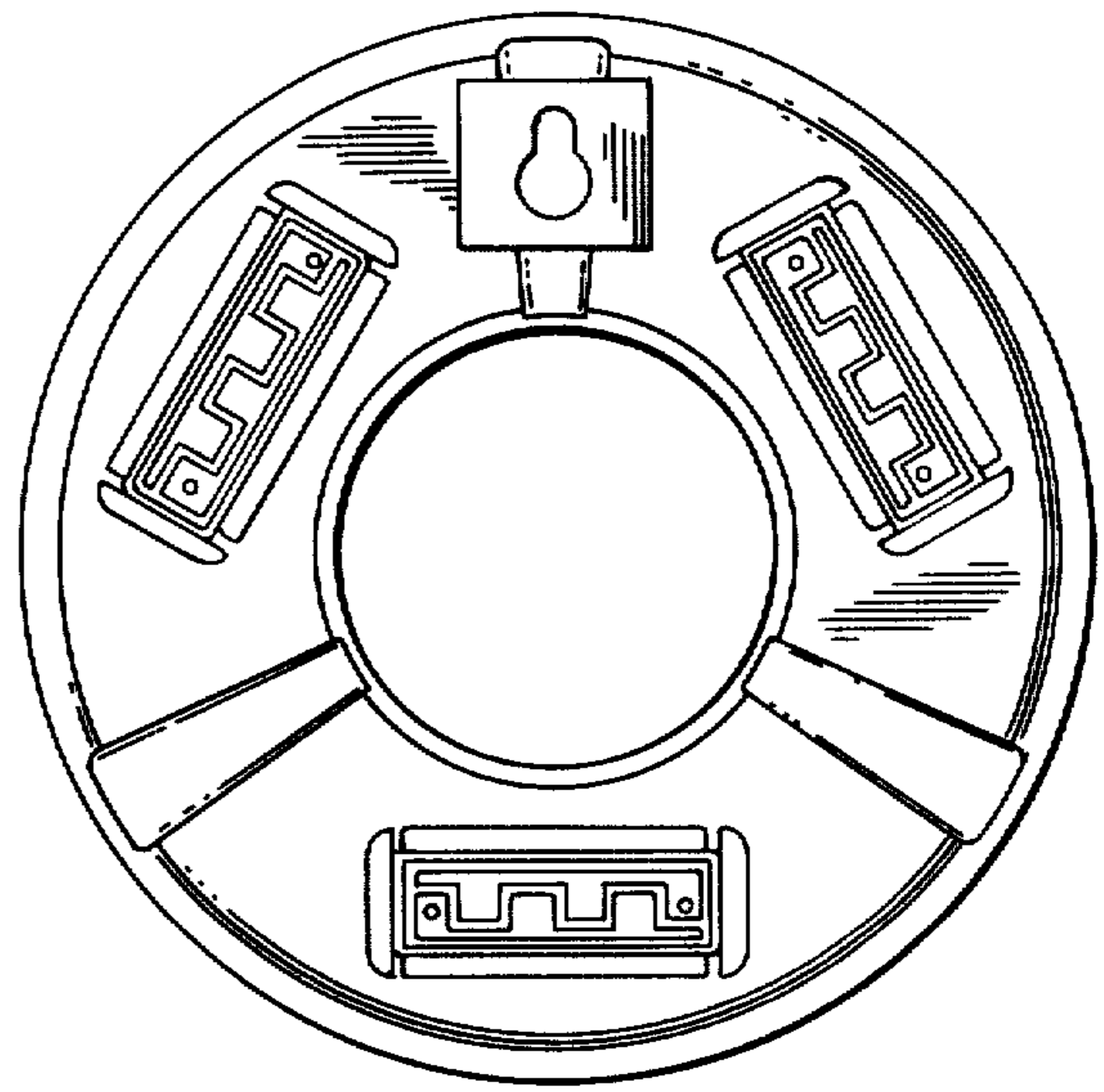


fig.4.

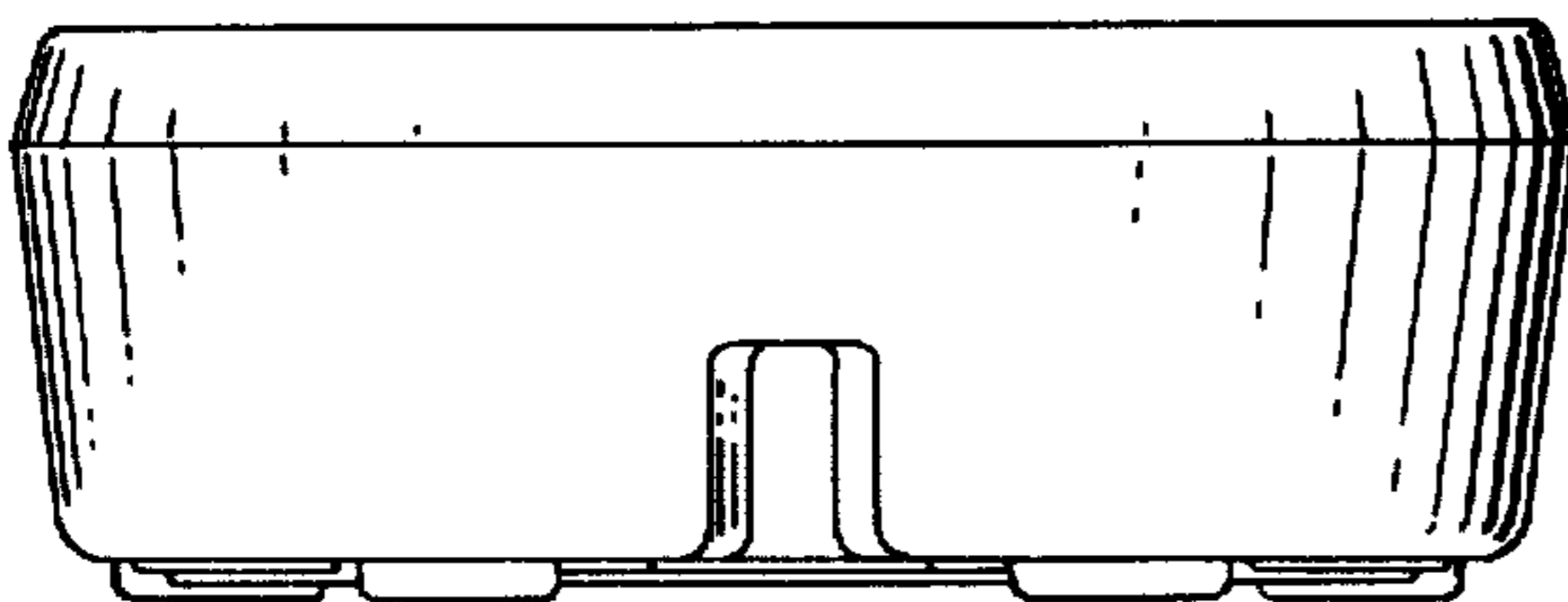


fig.3.