

[54] **HINGE PIN**

[75] Inventor: **Robert H. Bisbing**, Springfield, Pa.

[73] Assignee: **Southco, Inc.**, Concordville, Pa.

[\*\*] Term: **14 Years**

[21] Appl. No.: **111,881**

[22] Filed: **Jan. 14, 1980**

[51] Int. Cl. .... **D8-06**

[52] U.S. Cl. .... **D8/323**

[58] Field of Search ..... **D8/323-324,**  
**D8/327-329; 16/168, 169**

[56] **References Cited**

**U.S. PATENT DOCUMENTS**

D. 5,304	10/1871	Suedekum	.....	D8/327
431,202	7/1890	Crocker	.....	16/128 R
3,000,049	9/1961	Terry, Jr.	.....	16/168
3,015,126	1/1962	Ahlgren	.....	D8/323
3,895,413	7/1975	Buergers	.....	16/168

**FOREIGN PATENT DOCUMENTS**

1341709 12/1973 United Kingdom ..... 16/168

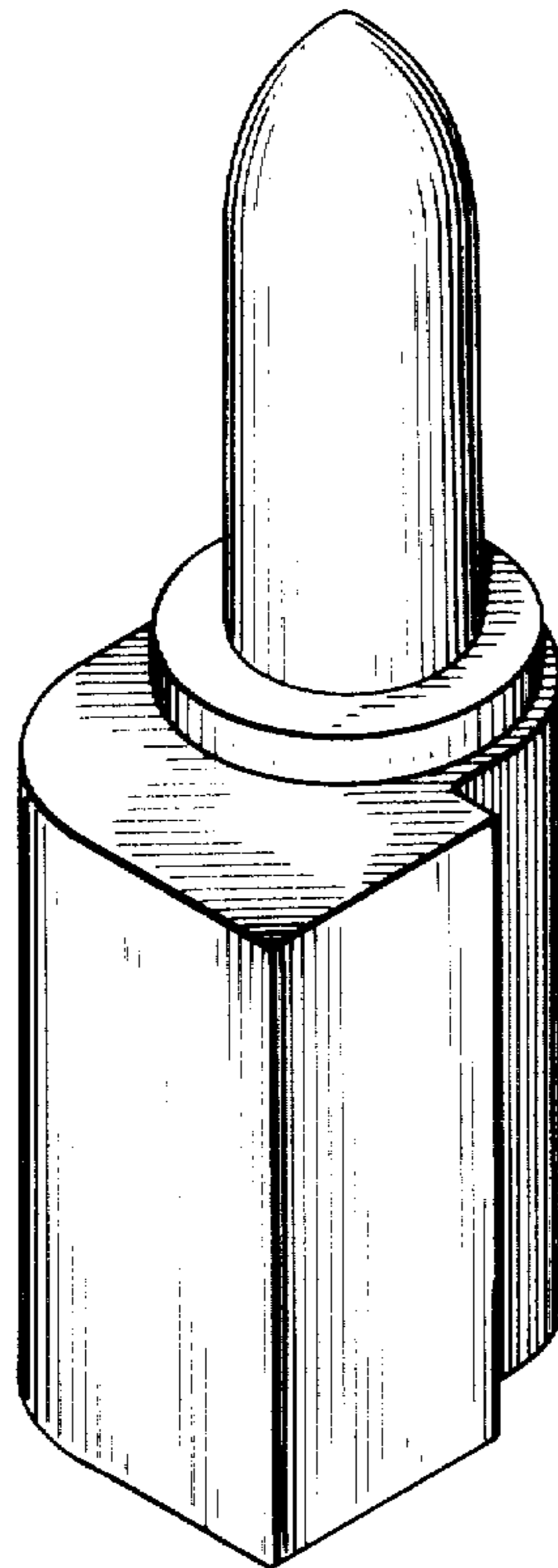
*Primary Examiner*—B. J. Bullock  
*Attorney, Agent, or Firm*—Paul & Paul

[57] **CLAIM**

The ornamental design for a hinge pin, as shown and described.

**DESCRIPTION**

FIG. 1 is a perspective view of a hinge pin embodying my new design;  
FIG. 2 is a rear view thereof;  
FIG. 3 is a front view thereof;  
FIG. 4 is a side view taken from the right of FIG. 1;  
FIG. 5 is a top view thereof;  
FIG. 6 is a bottom view thereof;  
FIG. 7 is a second embodiment of the design of FIG. 1, the only difference being the reversal of the curve of the shoulder.



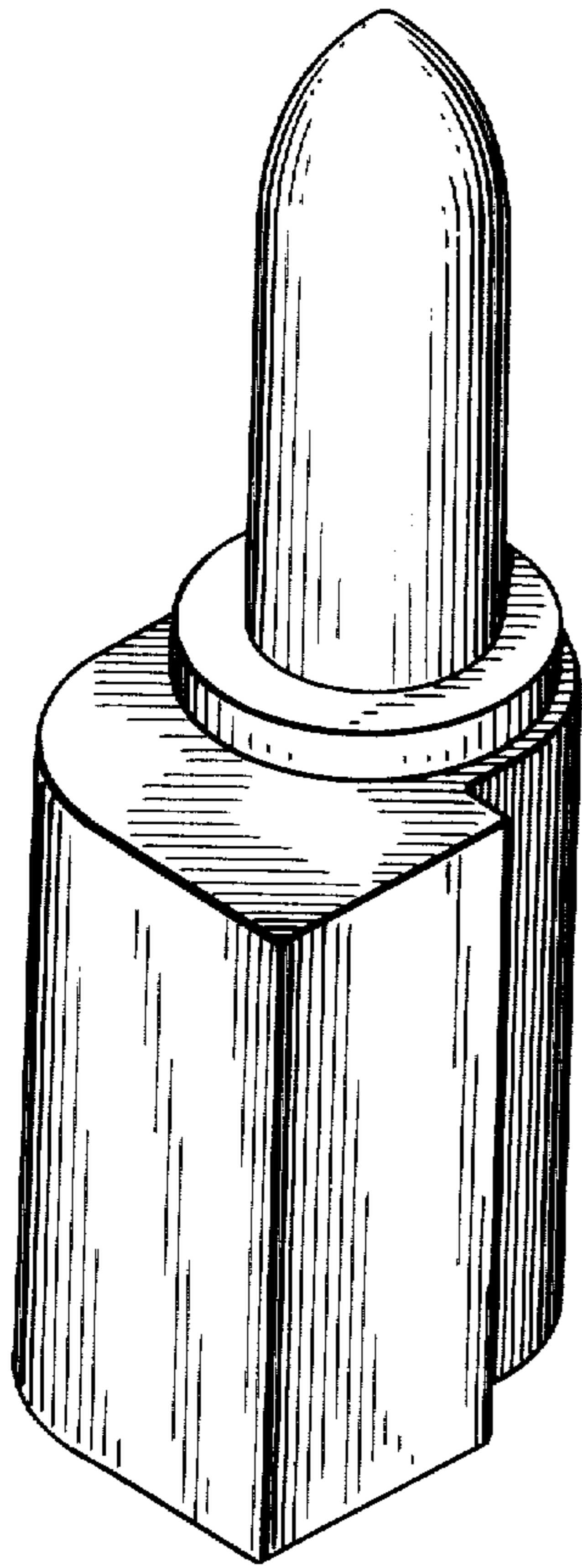


Fig. 1

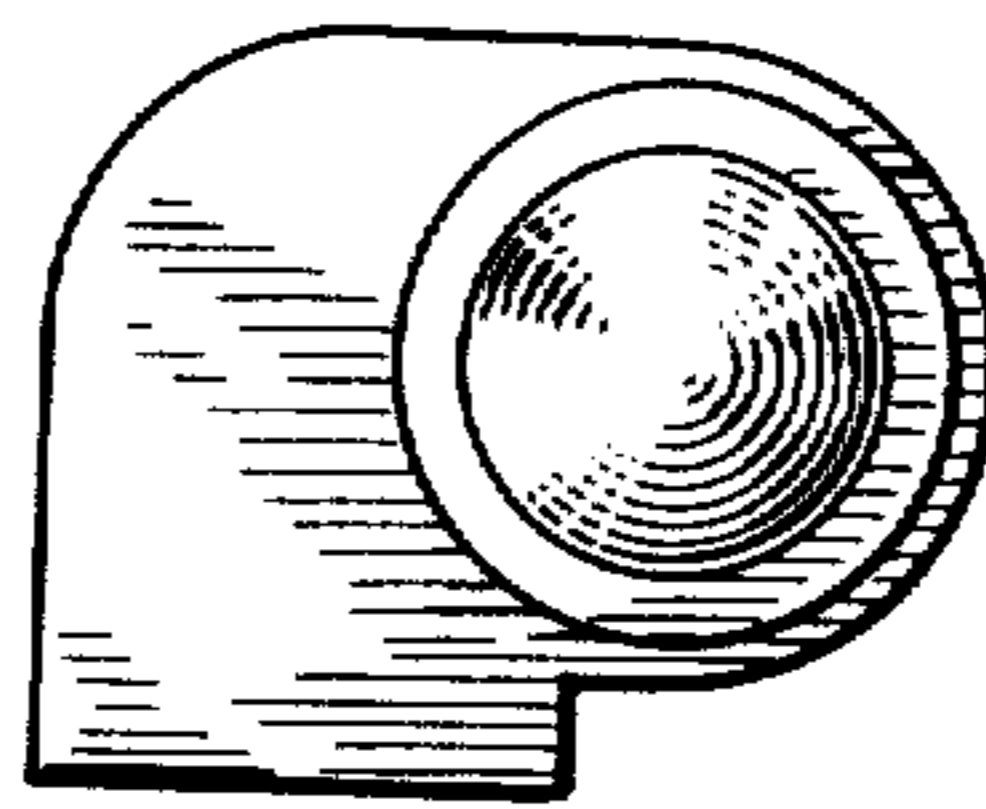


Fig. 5

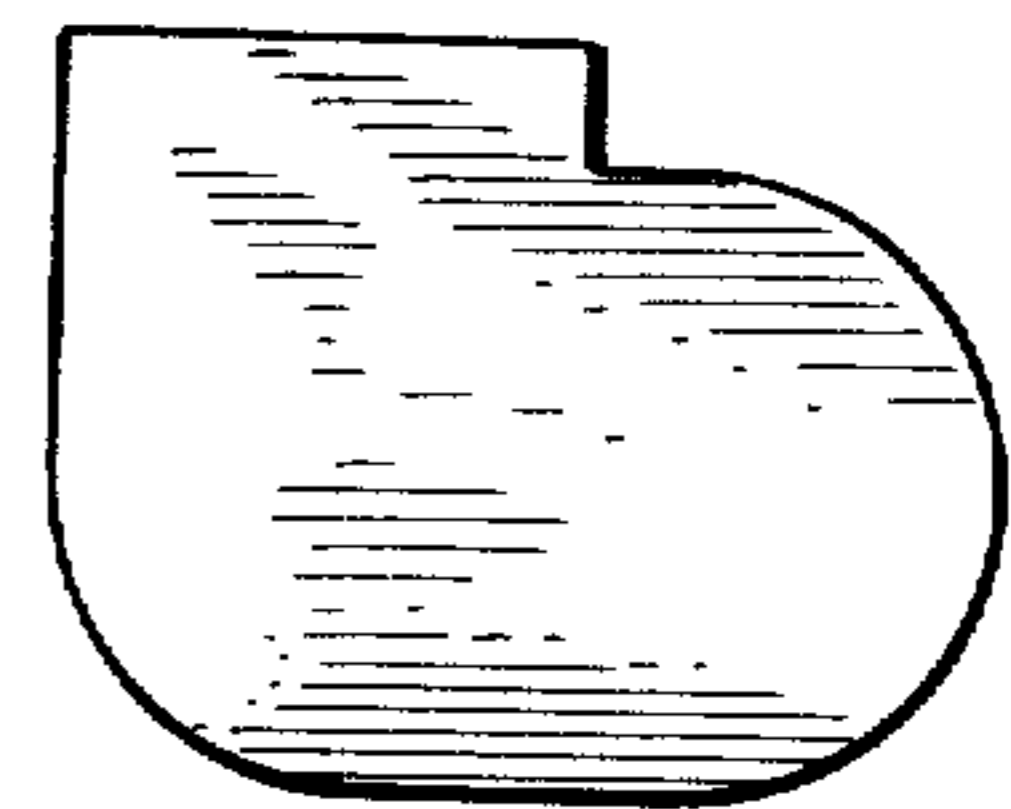


Fig. 6

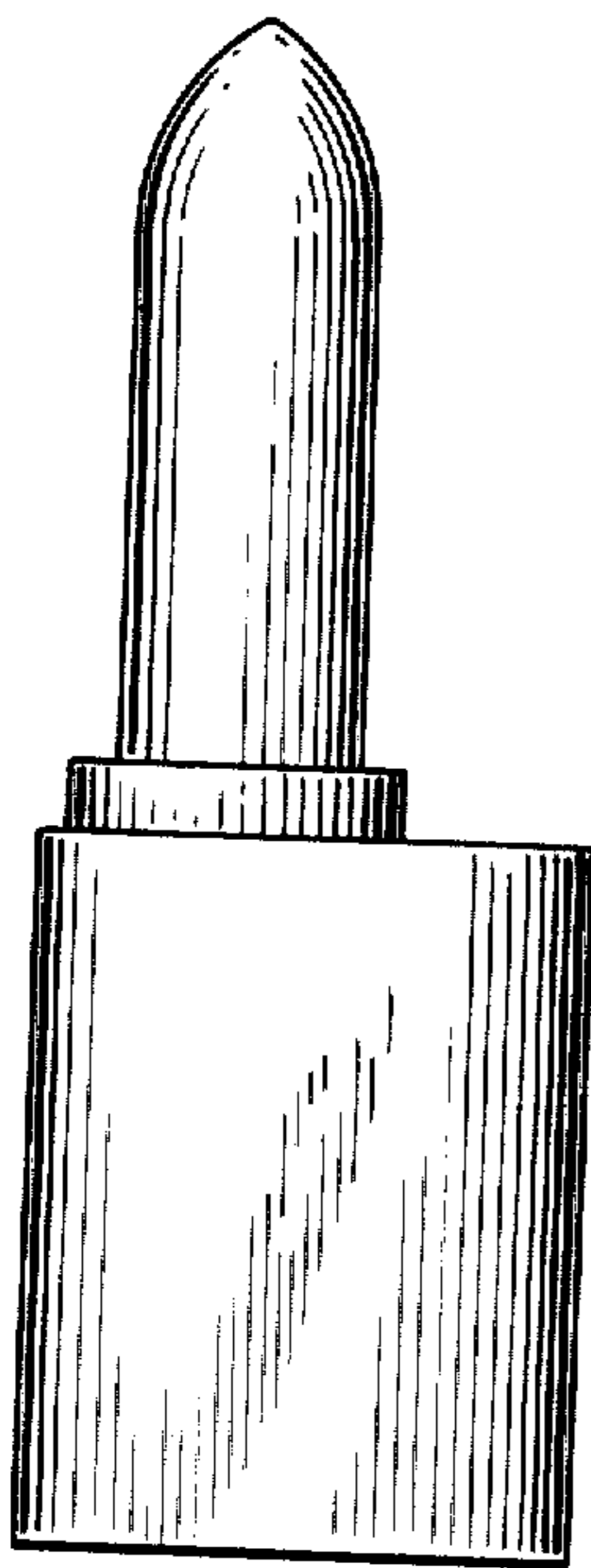


Fig. 2

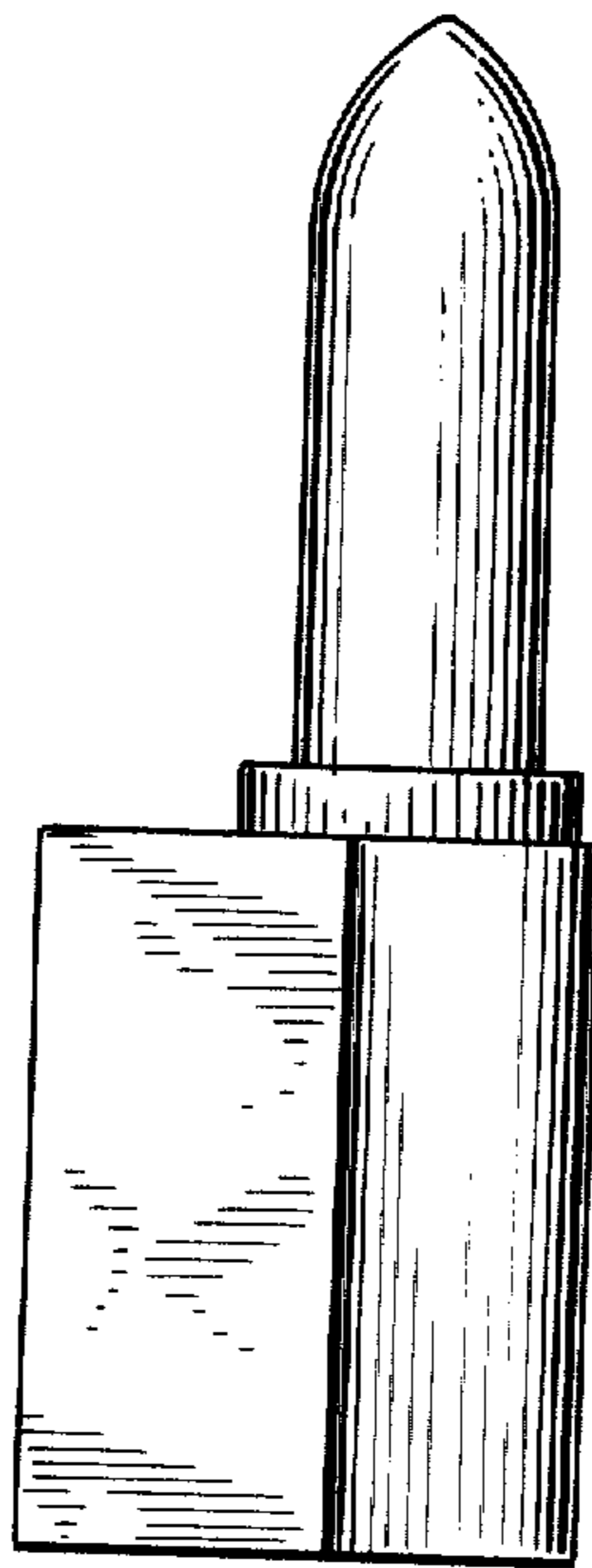


Fig. 3

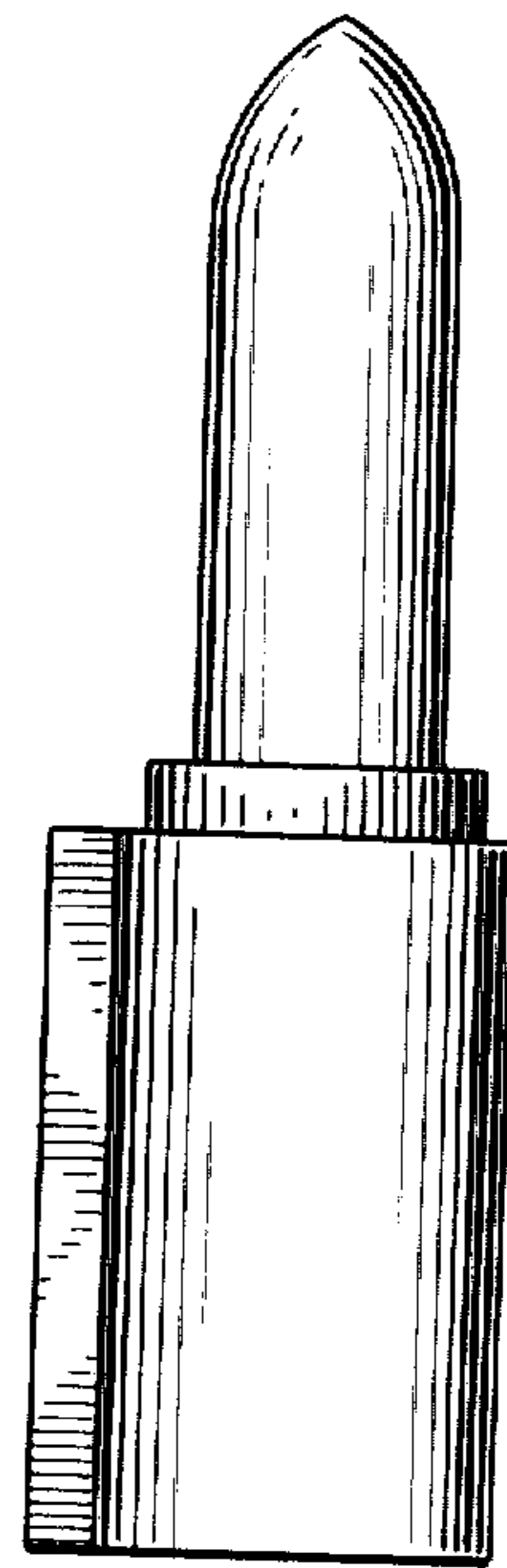


Fig. 4

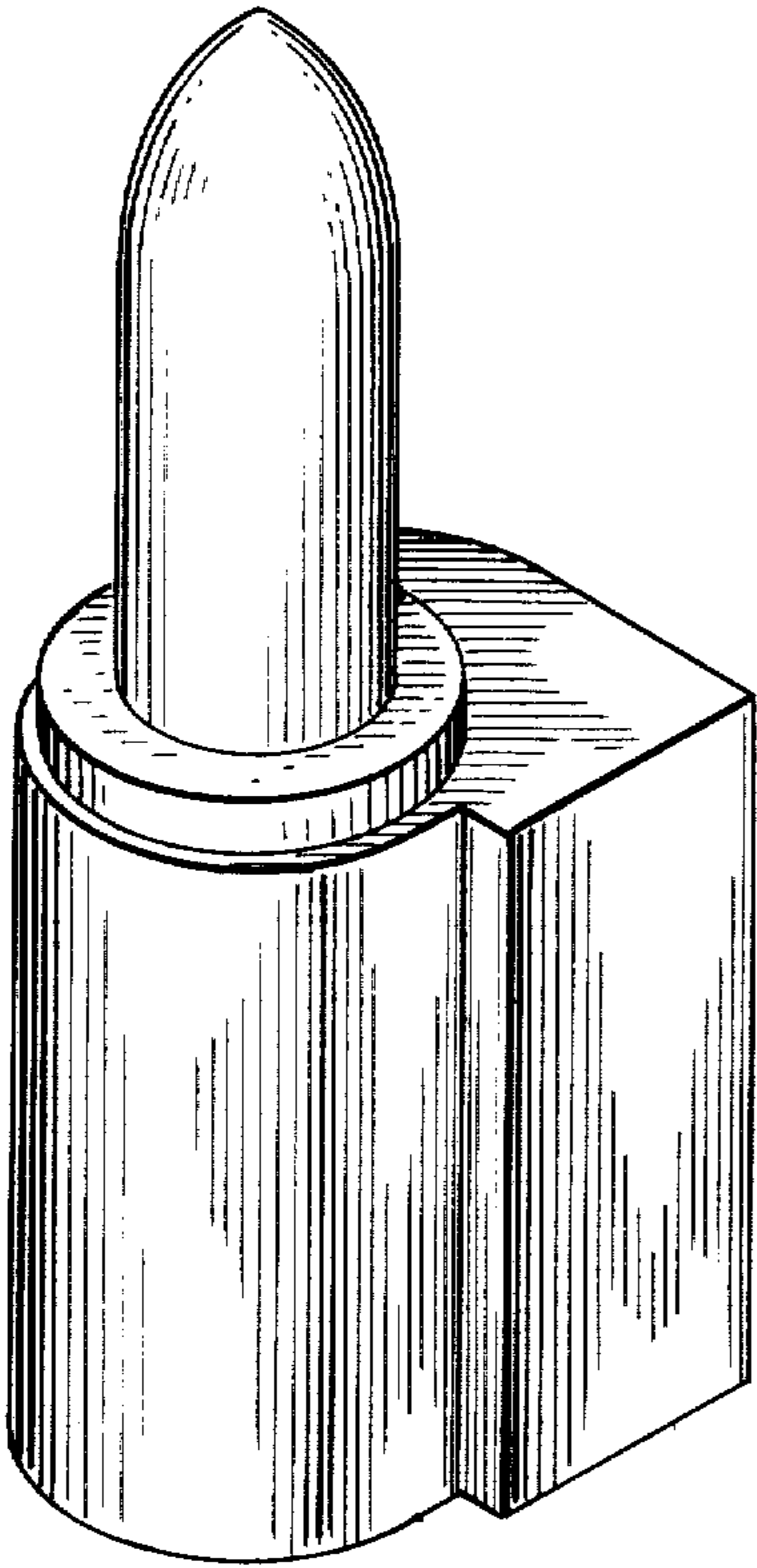


Fig. 7