

[54] VISE WITH SWIVEL BASE

[75] Inventors: Robert P. Wagster, Greensboro; Roderick F. Bunyea, Cockeysville, both of Md.

[73] Assignee: Black & Decker Inc., Newark, Del.

[**] Term: 14 Years

[21] Appl. No.: 95,739

[22] Filed: Nov. 19, 1979

[51] Int. Cl. D8-05

[52] U.S. Cl. D8/74

[58] Field of Search 269/97, 286 R, 139, 269/110, 152-156, 239, 79, 81, 84, 237, 104-107, 244; 144/285, 286 R; D8/74, 71

[56] References Cited

U.S. PATENT DOCUMENTS

4,002,328	1/1977	Wolf et al.	D8/74 X
4,095,778	6/1978	Wing	269/71
4,223,881	9/1980	Hickman	269/244 X
4,231,557	11/1980	Blachly et al.	269/244 X

Primary Examiner—A. Hugo Word

Attorney, Agent, or Firm—Harold Weinstein; Walter Ottesen; Edward D. Murphy

[57] CLAIM

The ornamental design for a vise with swivel base, as shown and described.

DESCRIPTION

FIG. 1 is a perspective view of a vise with swivel base in accord with our novel design.

FIG. 2 is a plan view of the device shown in FIG. 1.

FIG. 3 is a plan view of the device shown in FIG. 1, except the jaw member is in closed position.

FIG. 4 is a bottom plan view of the device shown in FIG. 3.

FIG. 5 is a right side elevational view of the device shown in FIG. 3.

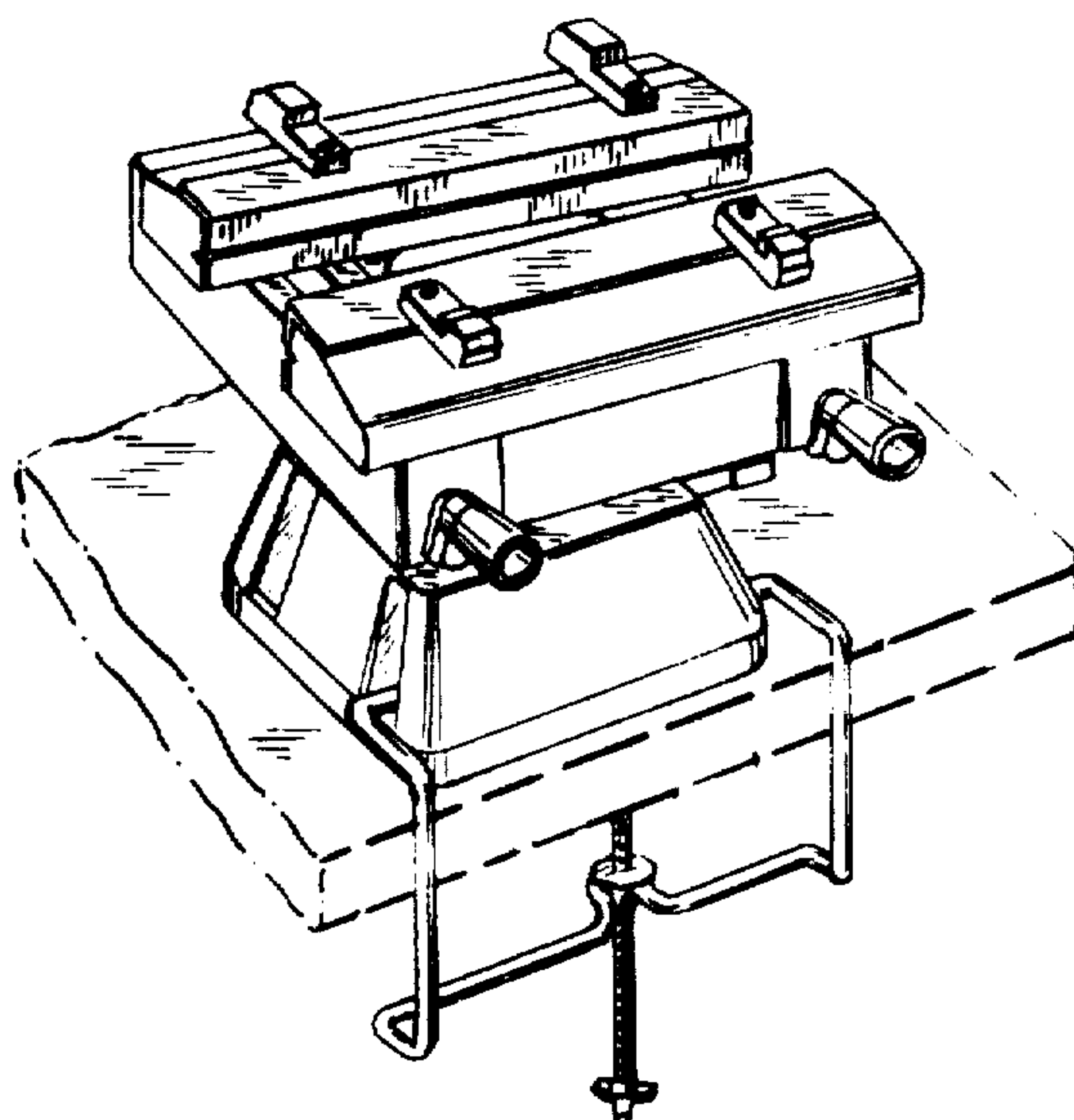
FIG. 6 is a rear elevation of the device shown in FIG. 1.

FIG. 7 is a front elevation of the device shown in FIG. 1.

FIG. 8 is a side elevation, looking to the right of the device shown in FIG. 1.

FIG. 9 is a side elevation, looking to the left of the device shown in FIG. 1.

The broken lines are shown in the several views for illustrative purposes only.



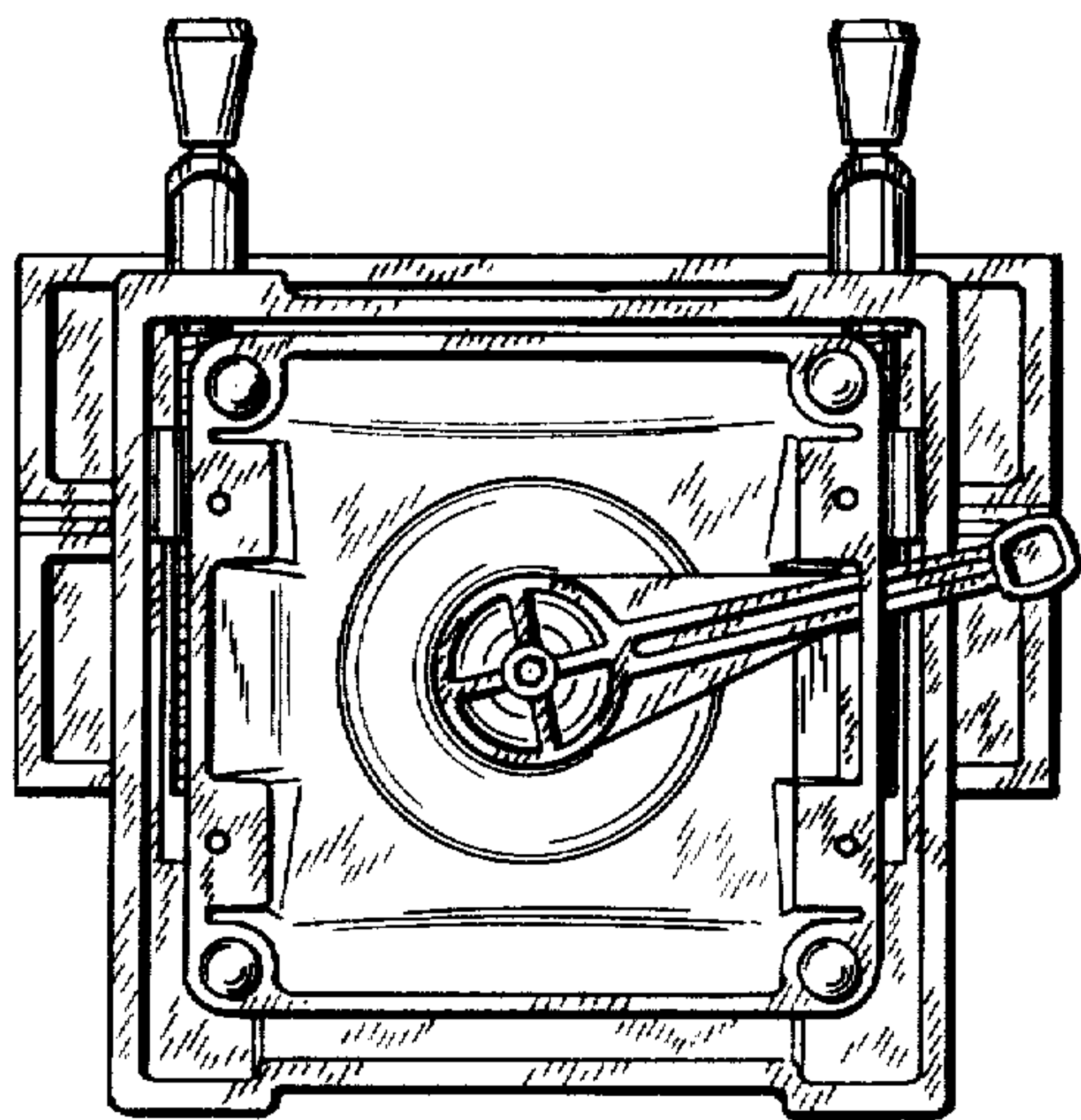
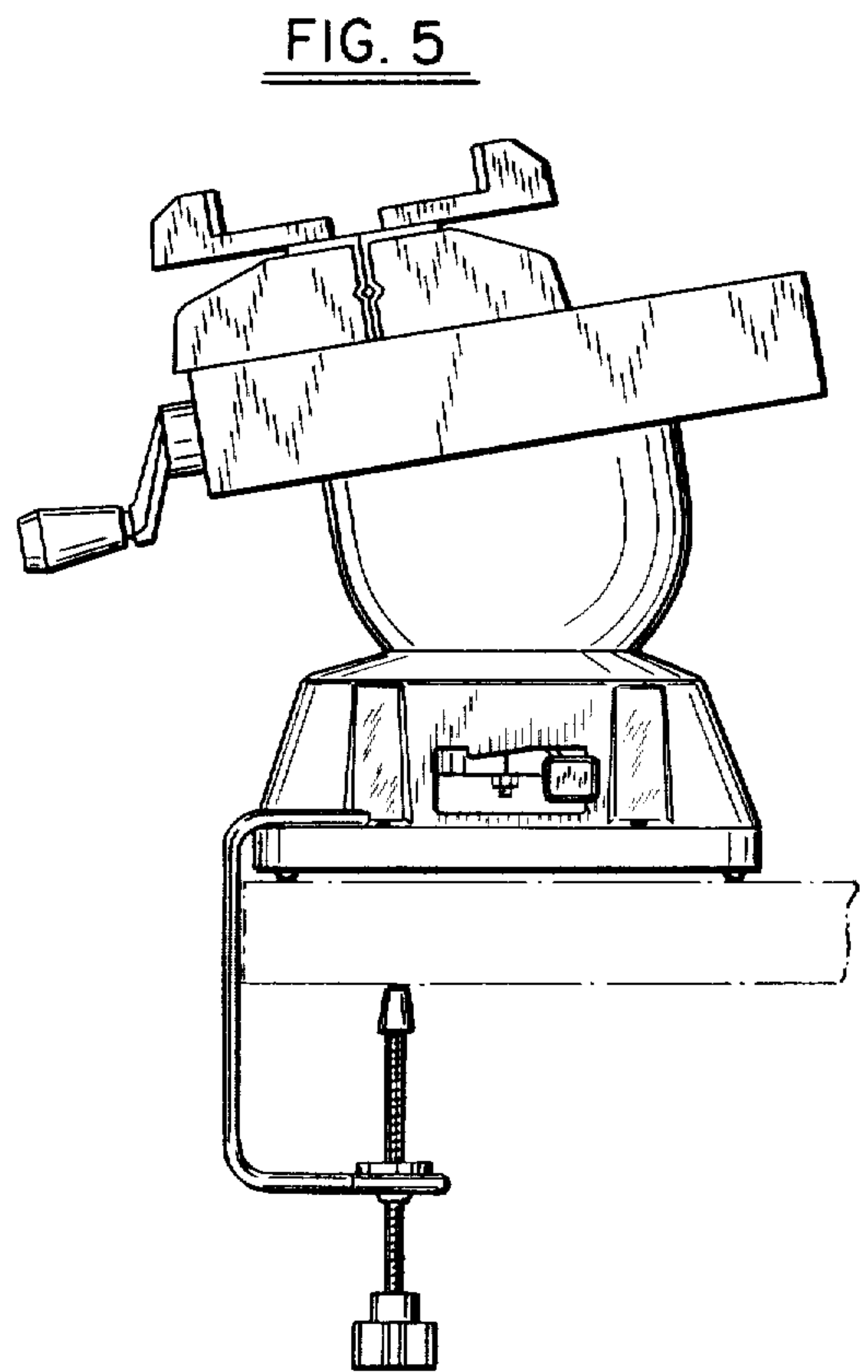
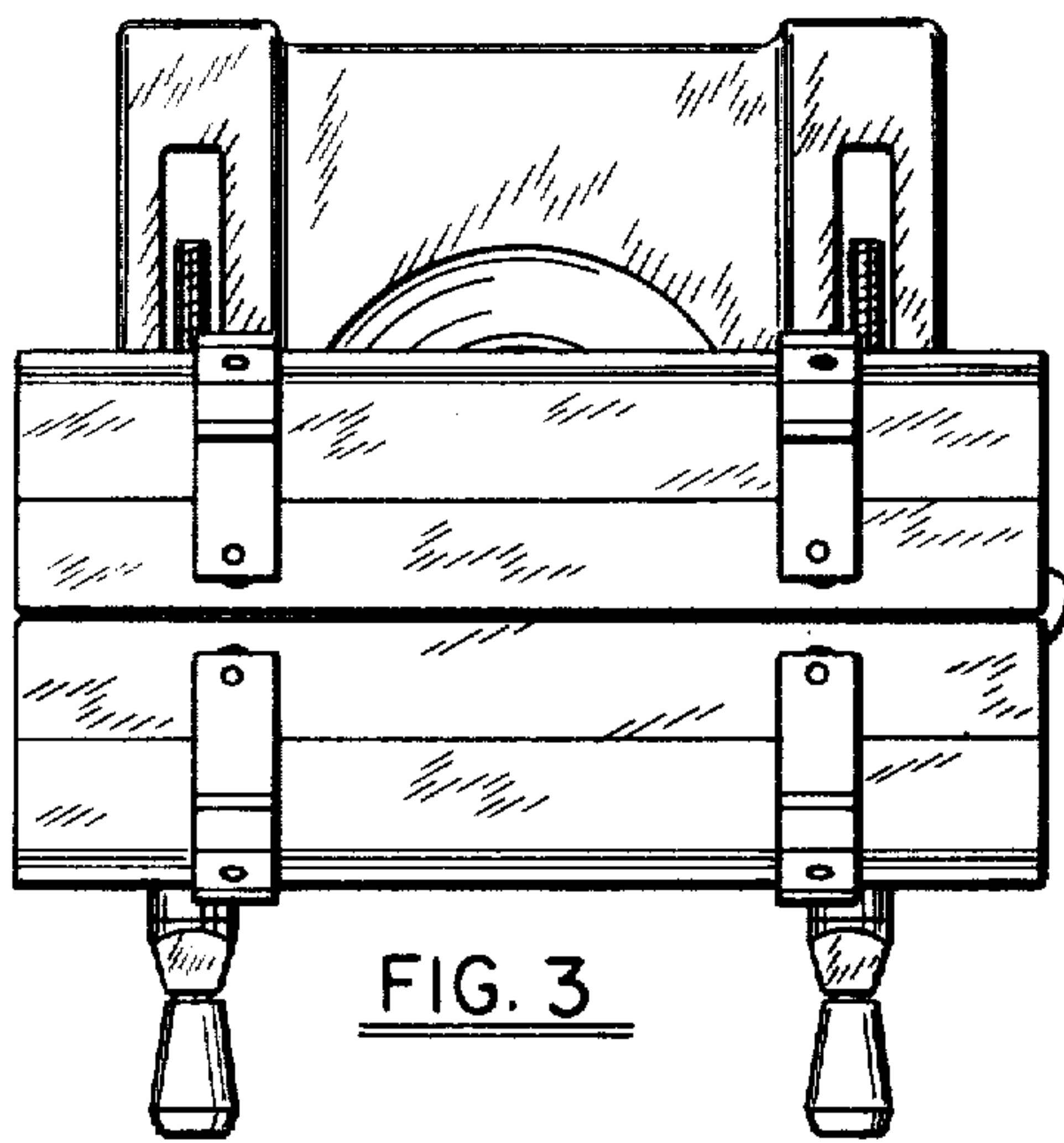
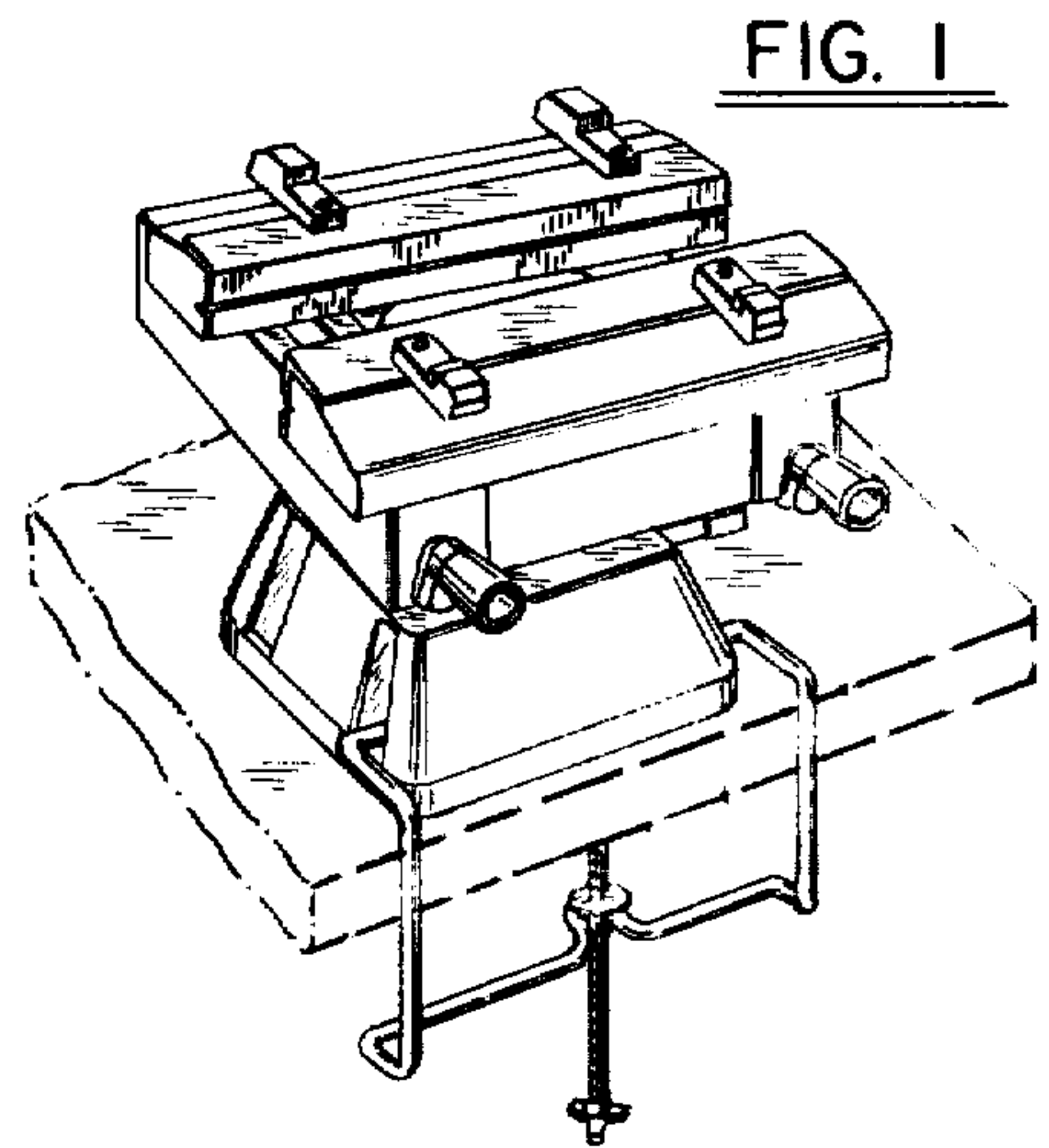
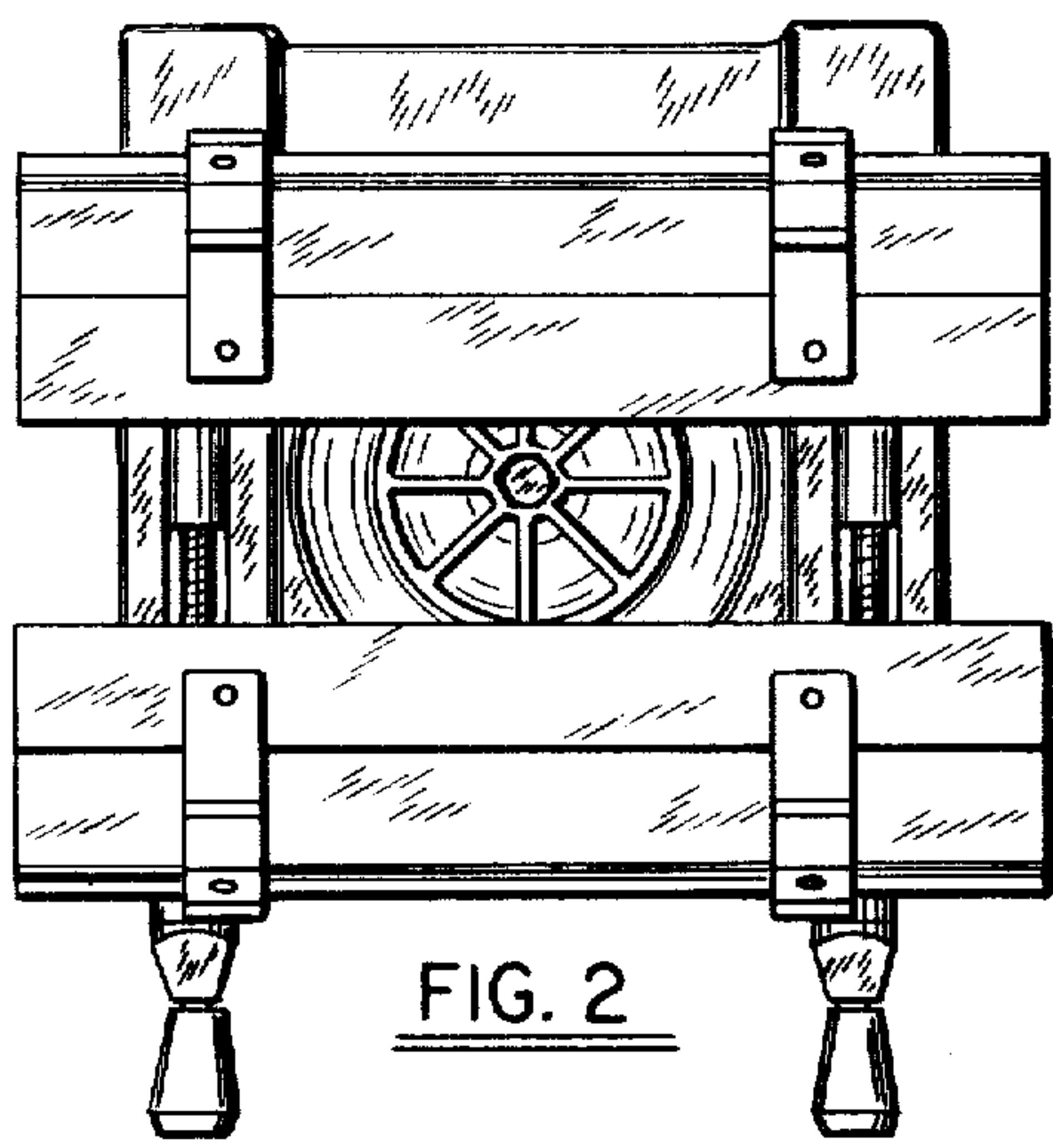


FIG. 4

FIG. 6

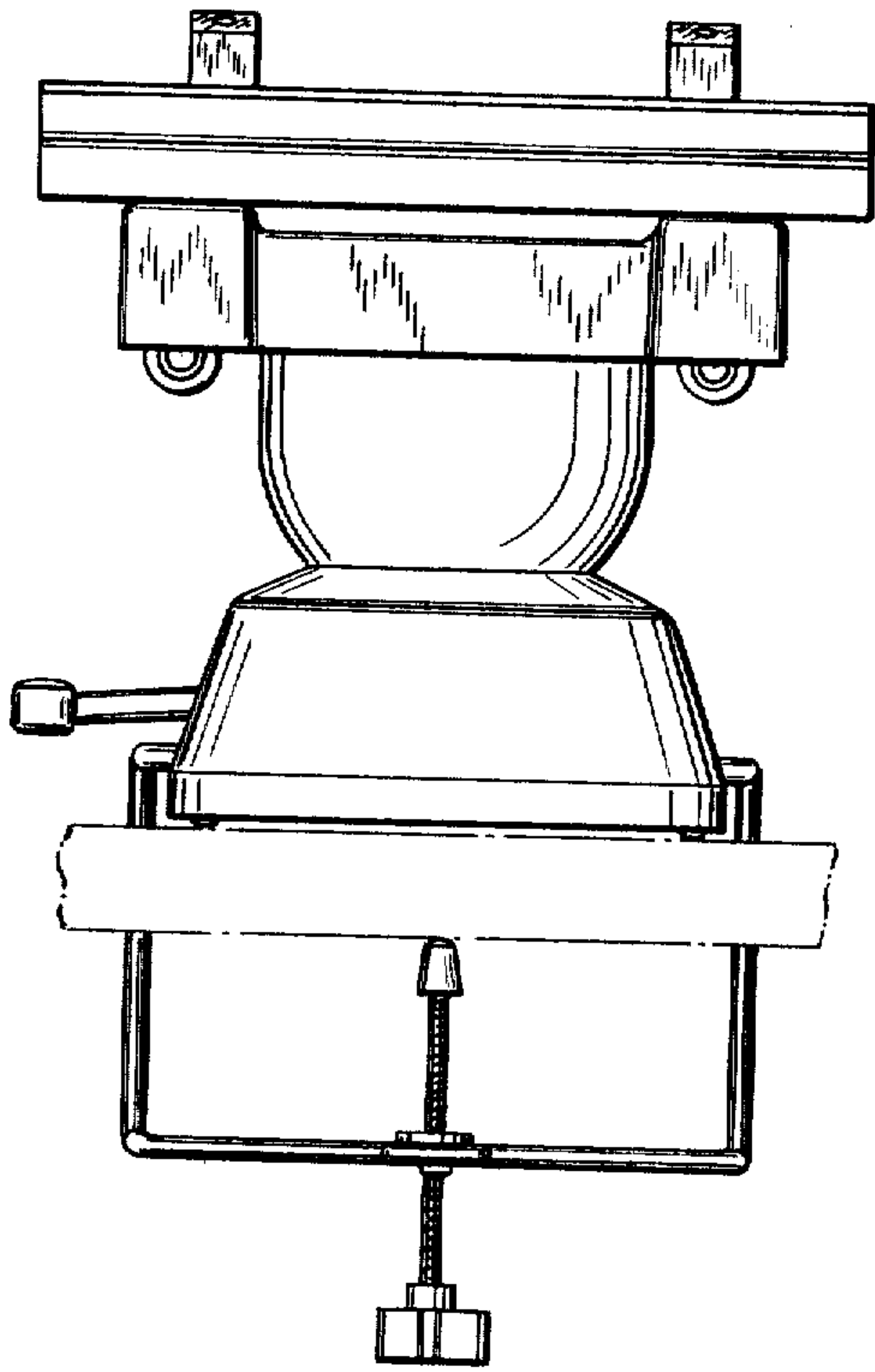


FIG. 7

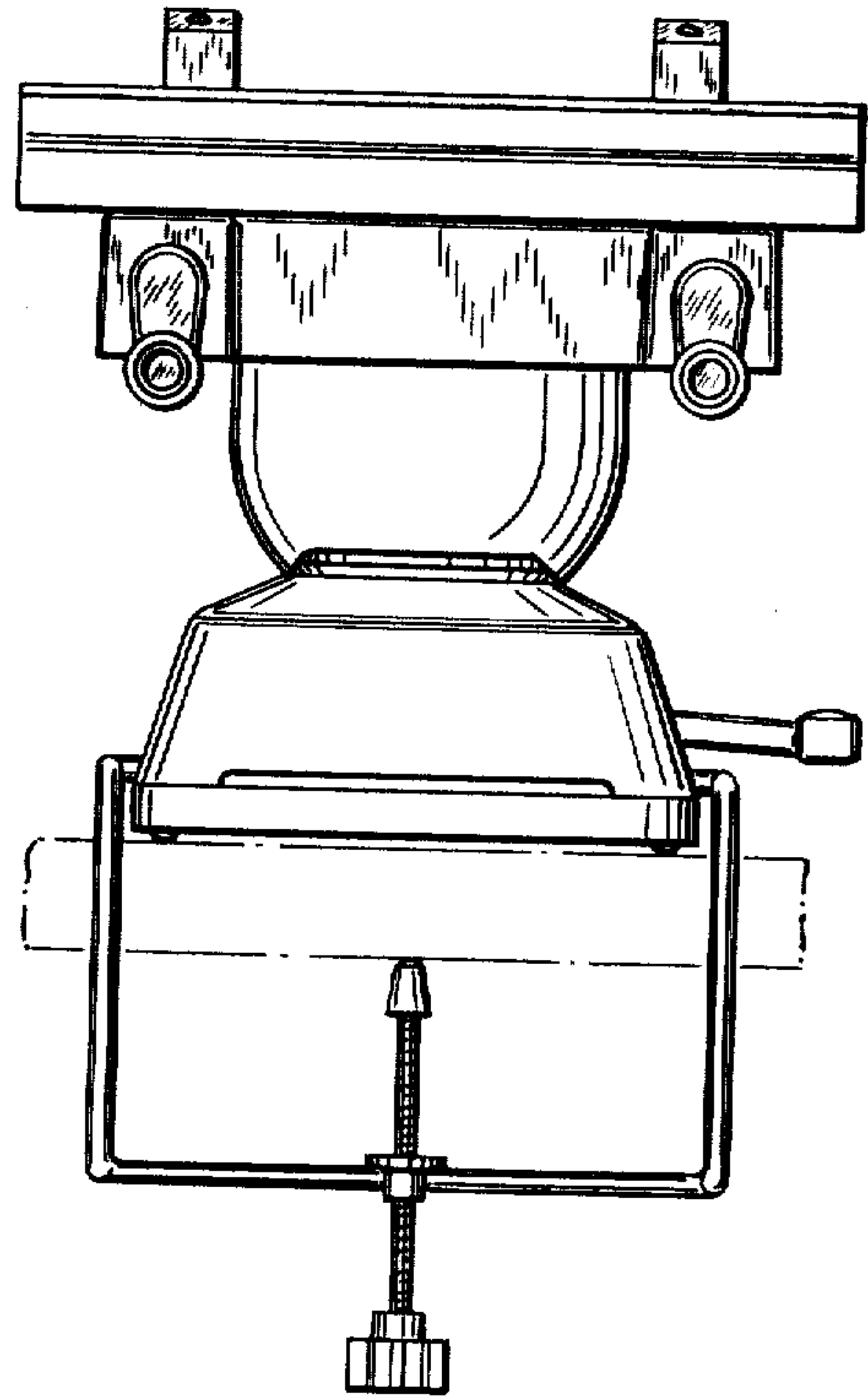


FIG. 8

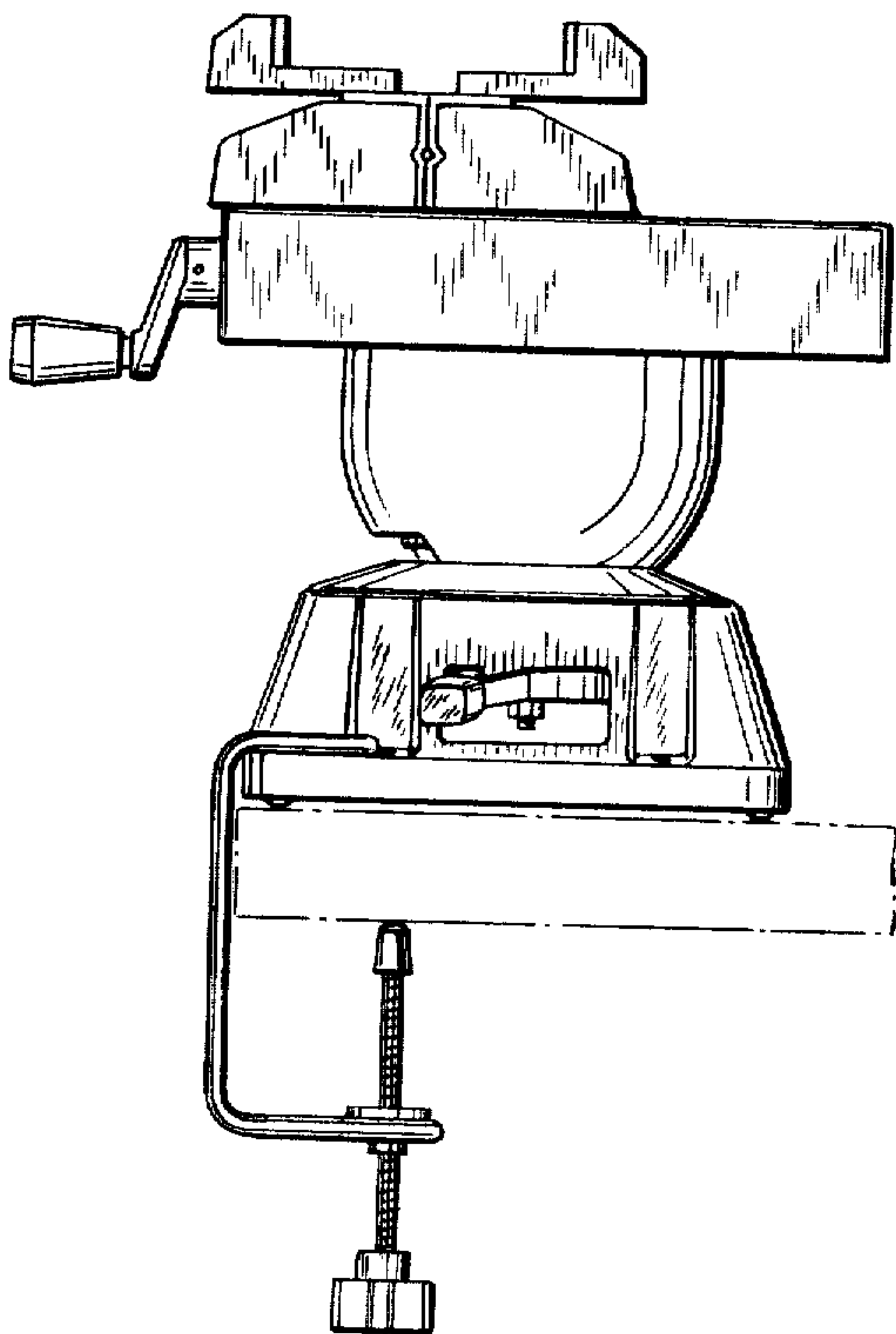


FIG. 9

