

[54] STORAGE SHELTER

[75] Inventor: Joseph W. Sroub, Parma, Ohio

[73] Assignee: Cardinal American Corporation,  
Cleveland, Ohio

[\*\*] Term: 14 Years

[21] Appl. No.: 113,512

[22] Filed: Jan. 21, 1980

[51] Int. Cl. .... D6—04; D7—08;  
D25—03

[52] U.S. Cl. .... D6/179; D6/181;  
D6/183; D7/212; D25/56

[58] Field of Search ..... D25/22, 56; D7/212;  
D6/179, 182, 183; 52/4, 73, 90; 211/49 R, 60 R,  
60 T, 182; D12/22

[56]

References Cited

U.S. PATENT DOCUMENTS

17,256	5/1857	Brantingham	
133,516	12/1872	Brown	52/73
D. 175,543	9/1955	Godden	D25/56
D. 203,531	1/1966	Cassie	D12/22
286,431	10/1883	Harper	52/73
1,206,770	11/1916	Adams	211/182

Primary Examiner—B. J. Bullock

Attorney, Agent, or Firm—Isler and Ornstein

[57]

CLAIM

The ornamental design for a storage shelter, substantially as shown.

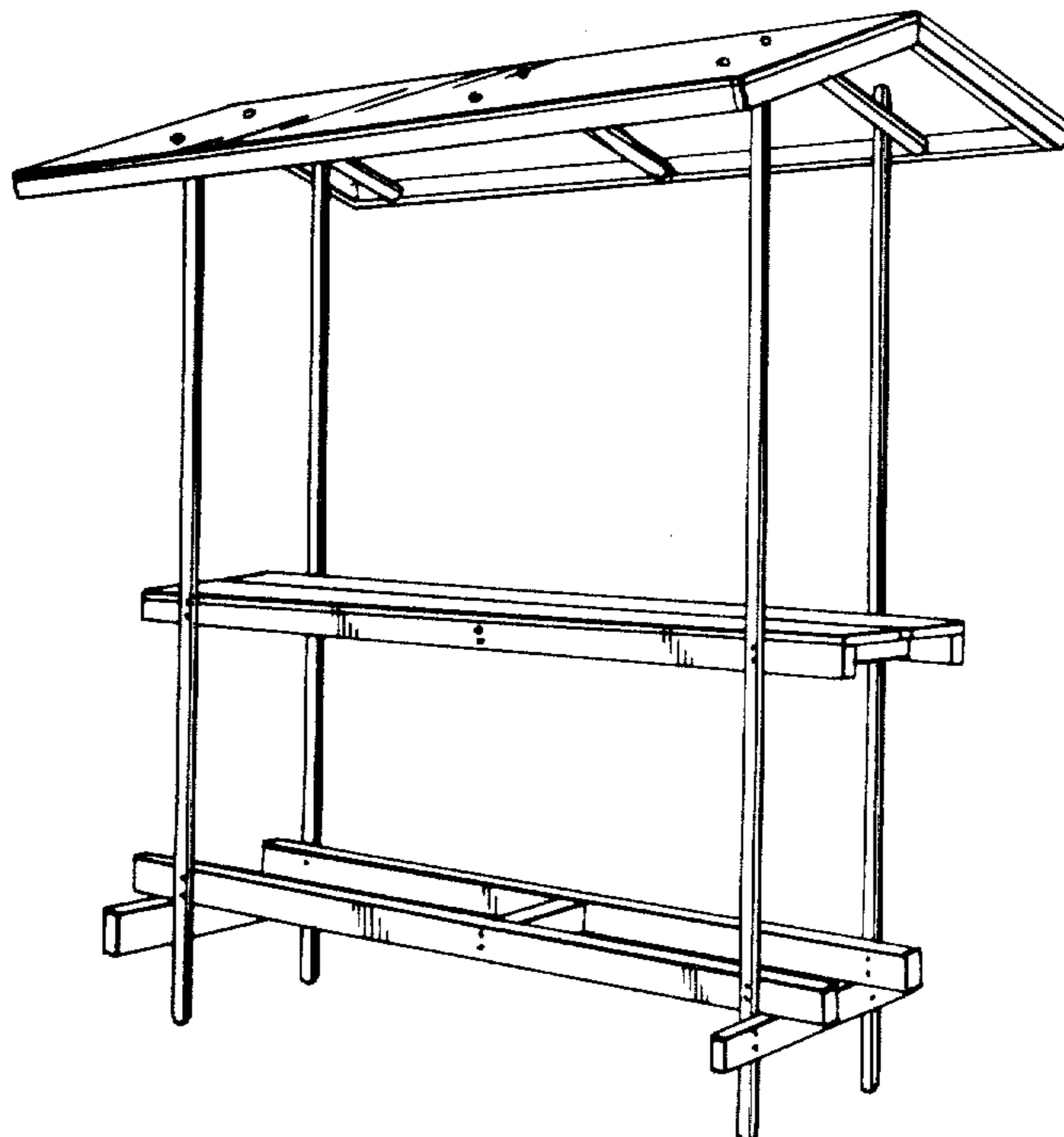
DESCRIPTION

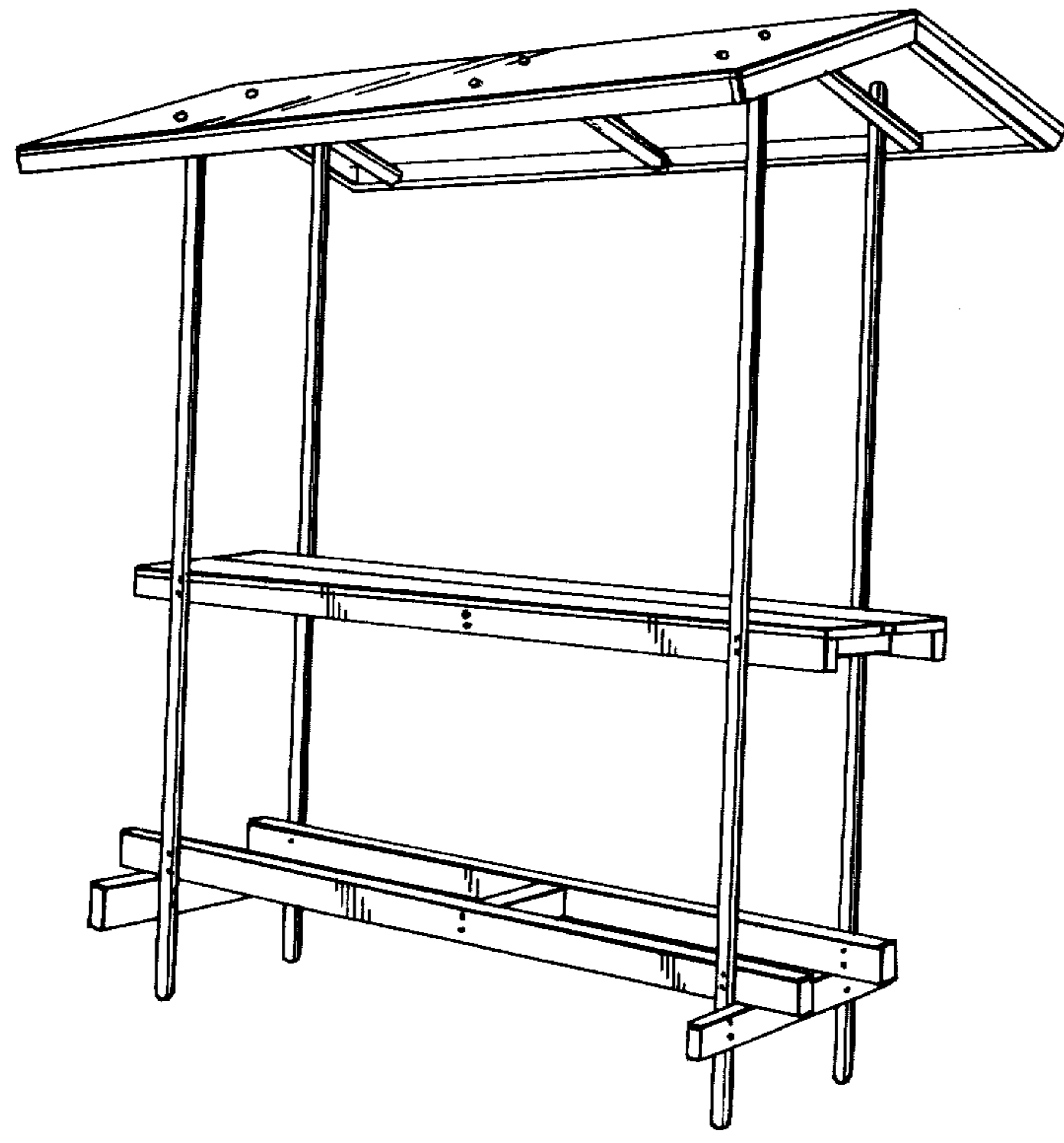
FIG. 1 is a reduced perspective view of a storage shelter, showing my new design;

FIG. 2 is an enlarged side elevational view;

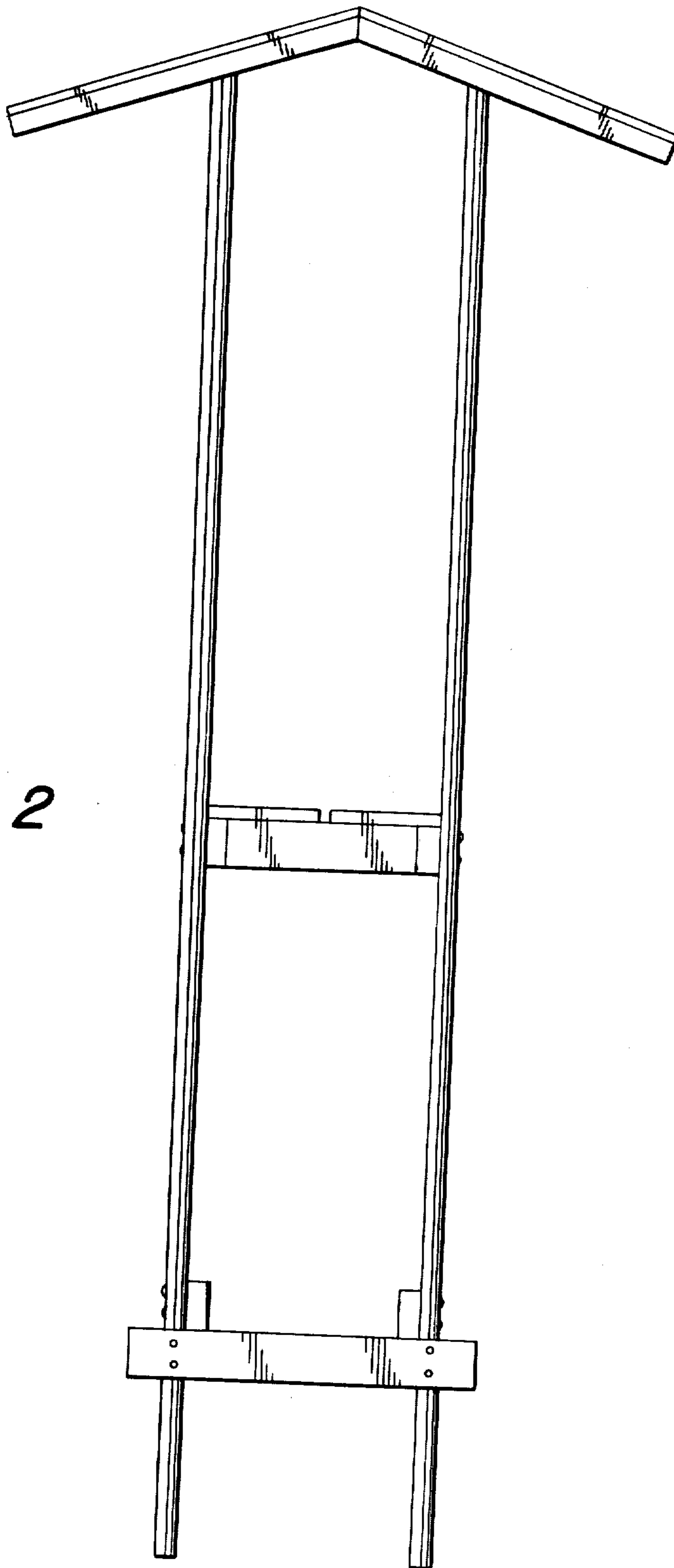
FIG. 3 is a front elevational view; and

FIG. 4 is a bottom plan view thereof.

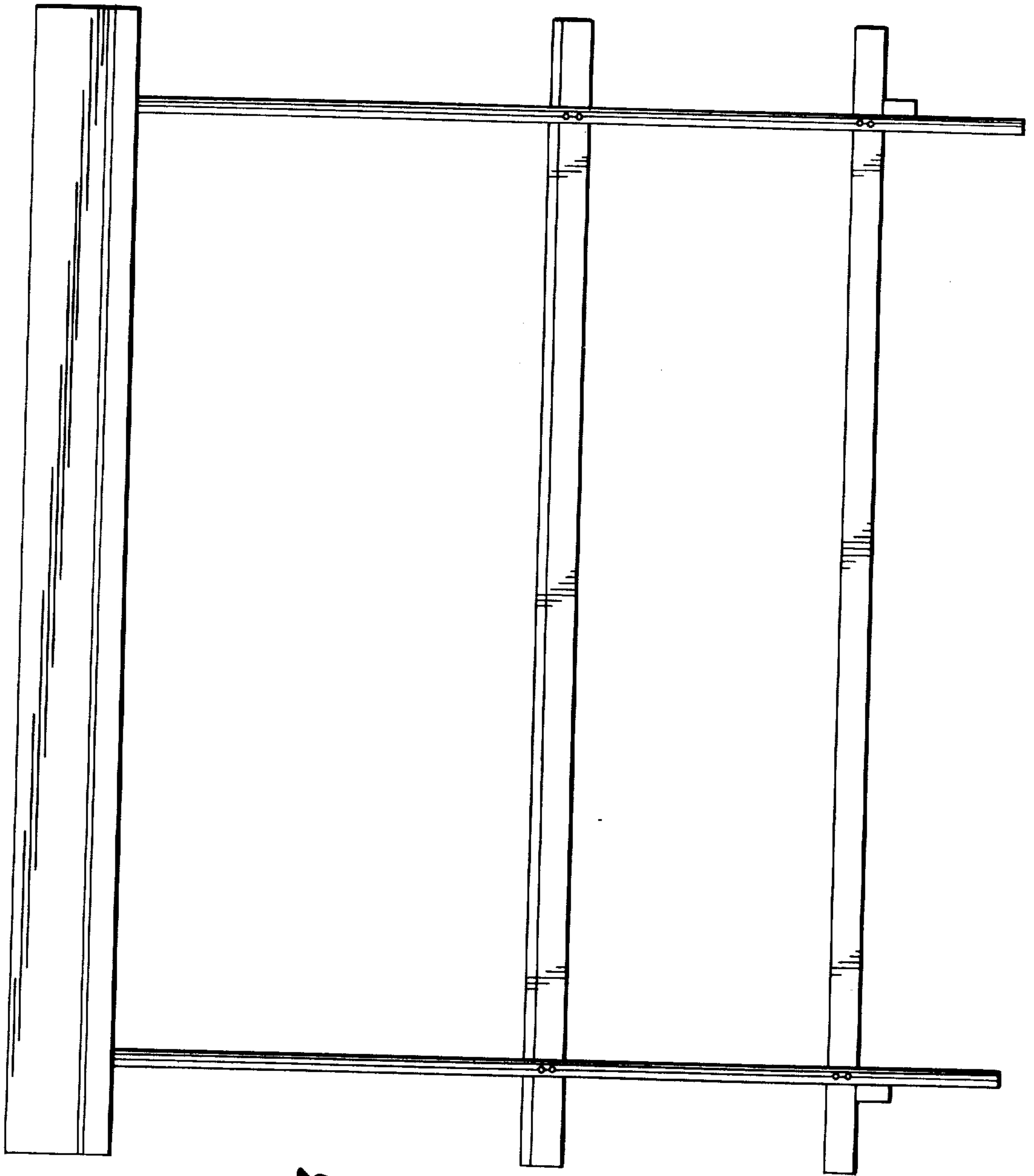




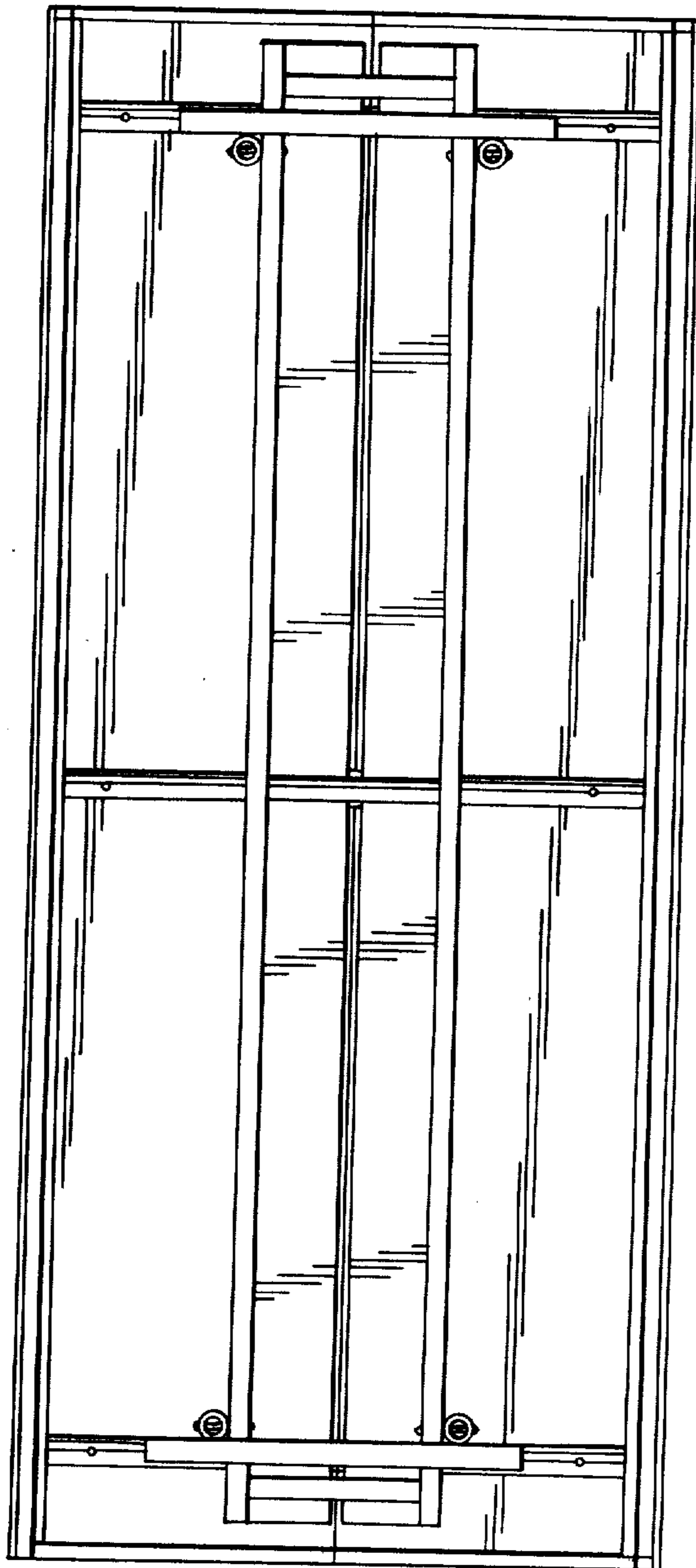
*Fig. 1*



*Fig. 2*



*Fig. 3*



*Fig. 4*