

[54] **GARDEN LIGHT FIXTURE**

[75] Inventors: **William F. Budnovitch**, Summit;
Salvatore C. Petralia, Sayreville;
Louis F. Silvestris, Bayonne, all of
N.J.

[73] Assignee: **Keene Corporation**, Union, N.J.

[**] Term: **14 Years**

[21] Appl. No.: **43,666**

[22] Filed: **May 30, 1979**

[51] Int. Cl. **D26—03**

[52] U.S. Cl. **D26/67**

[58] Field of Search **D26/67, 68; 362/431,**
362/296, 297, 298, 302, 310, 311, 360, 362, 324,
342, 354

[56] **References Cited**
PUBLICATIONS

Stoncoline Illustrated Price Guide, 9-1-77, p. 61, Path
Light #L-30.

Viriden "Light Idea" Catalog, 1962, p. 52, Wall Lantern,
#V-7065.

Viriden "Light Idea" Catalog, 1959, p. V-42, Louvered
Garden Light #V-7605.

Stoncoline Illustrated Price Guide, 9-1-77, p. 60, Util-
ity Holder #3300.

Primary Examiner—Susan J. Lucas
Attorney, Agent, or Firm—Kane, Dalsimer, Kane,
Sullivan and Kurucz

[57] **CLAIM**

The ornamental design for a garden light fixture, as
shown and described.

DESCRIPTION

FIG. 1 is an isometric view of a garden light fixture
showing our new design;

FIG. 2 is a side elevational view thereof;

FIG. 3 is a top plan view thereof on a reduced scale;
and,

FIG. 4 is a bottom plan view thereof on a reduced scale.

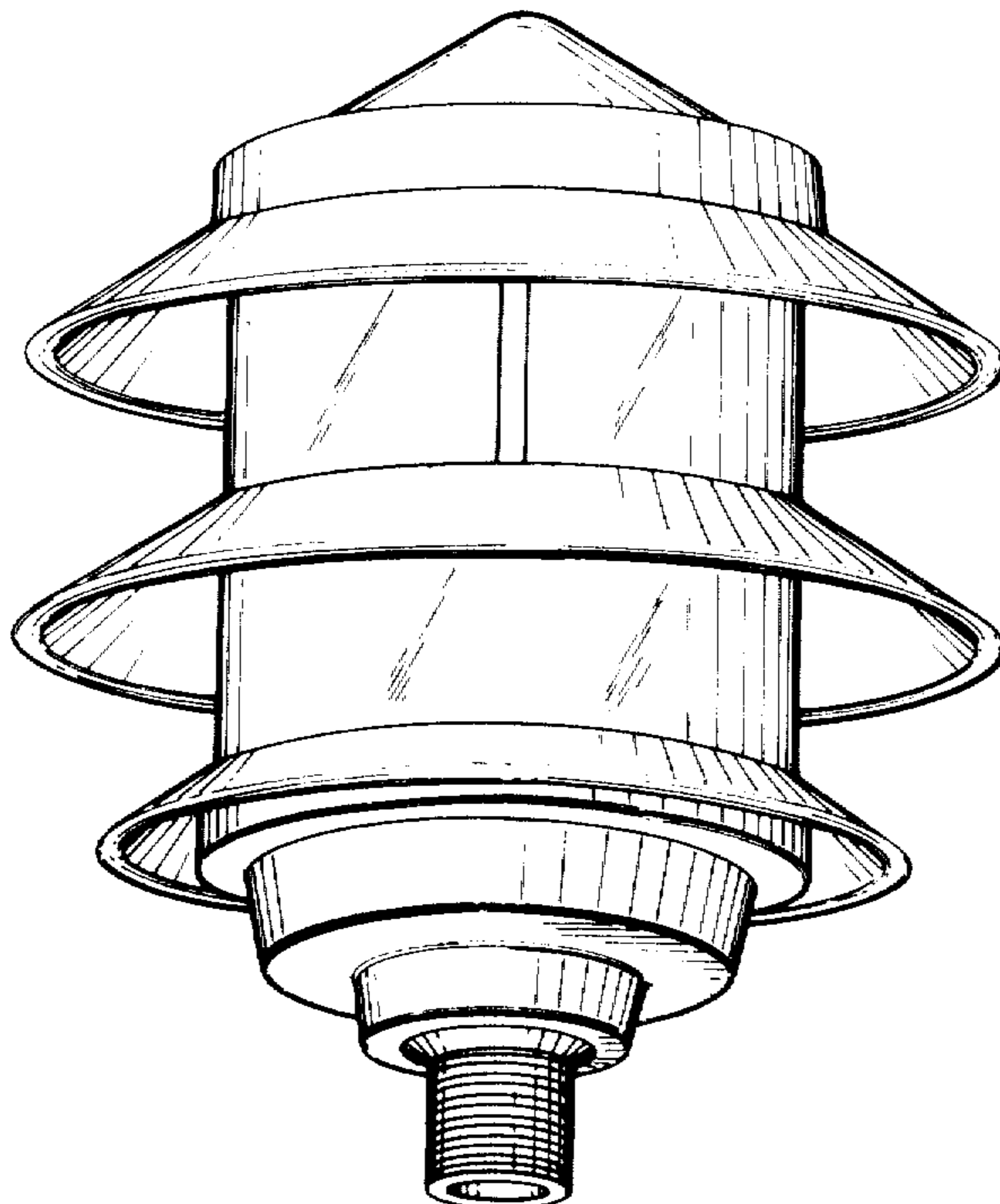


FIG. 1

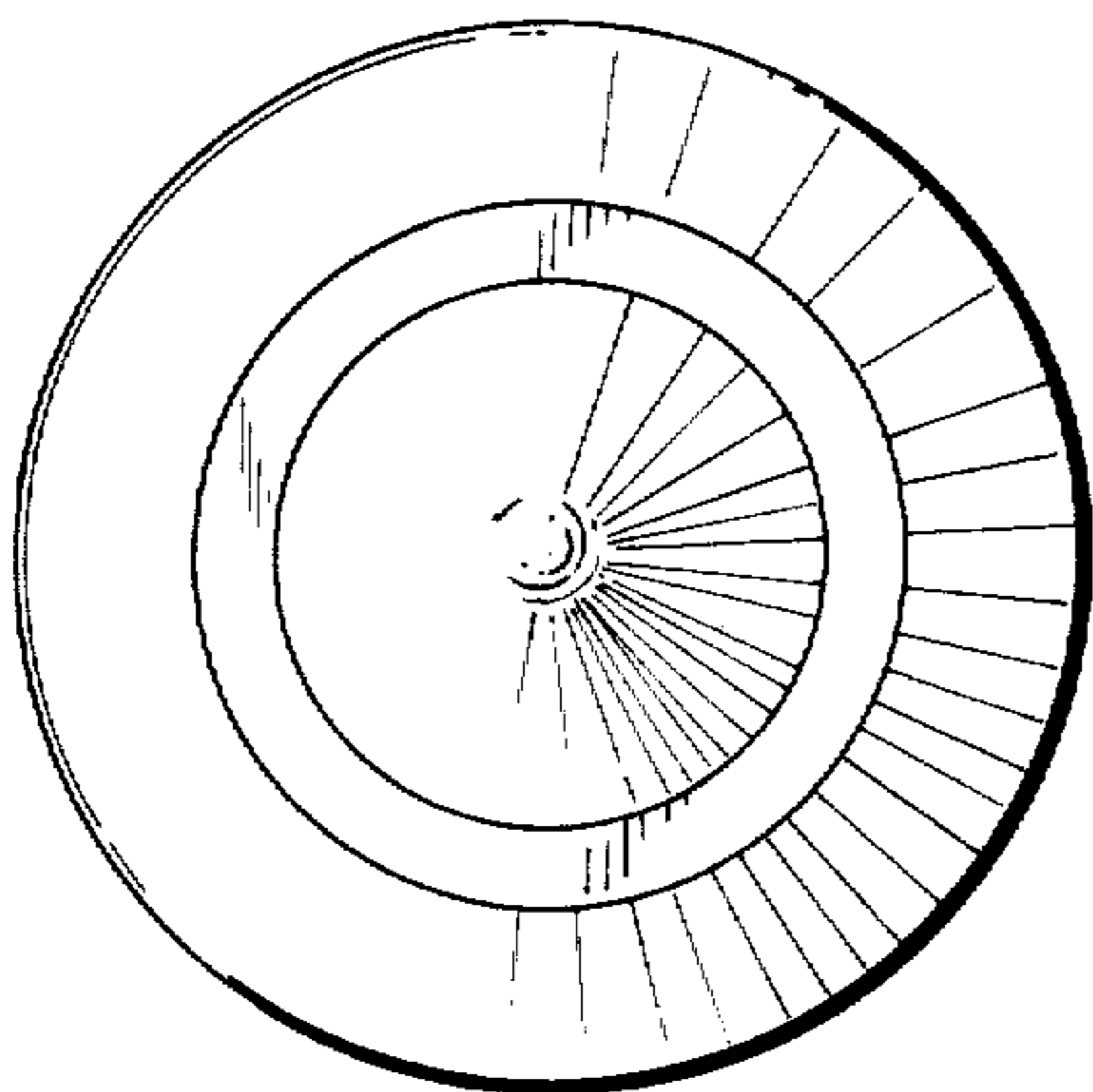
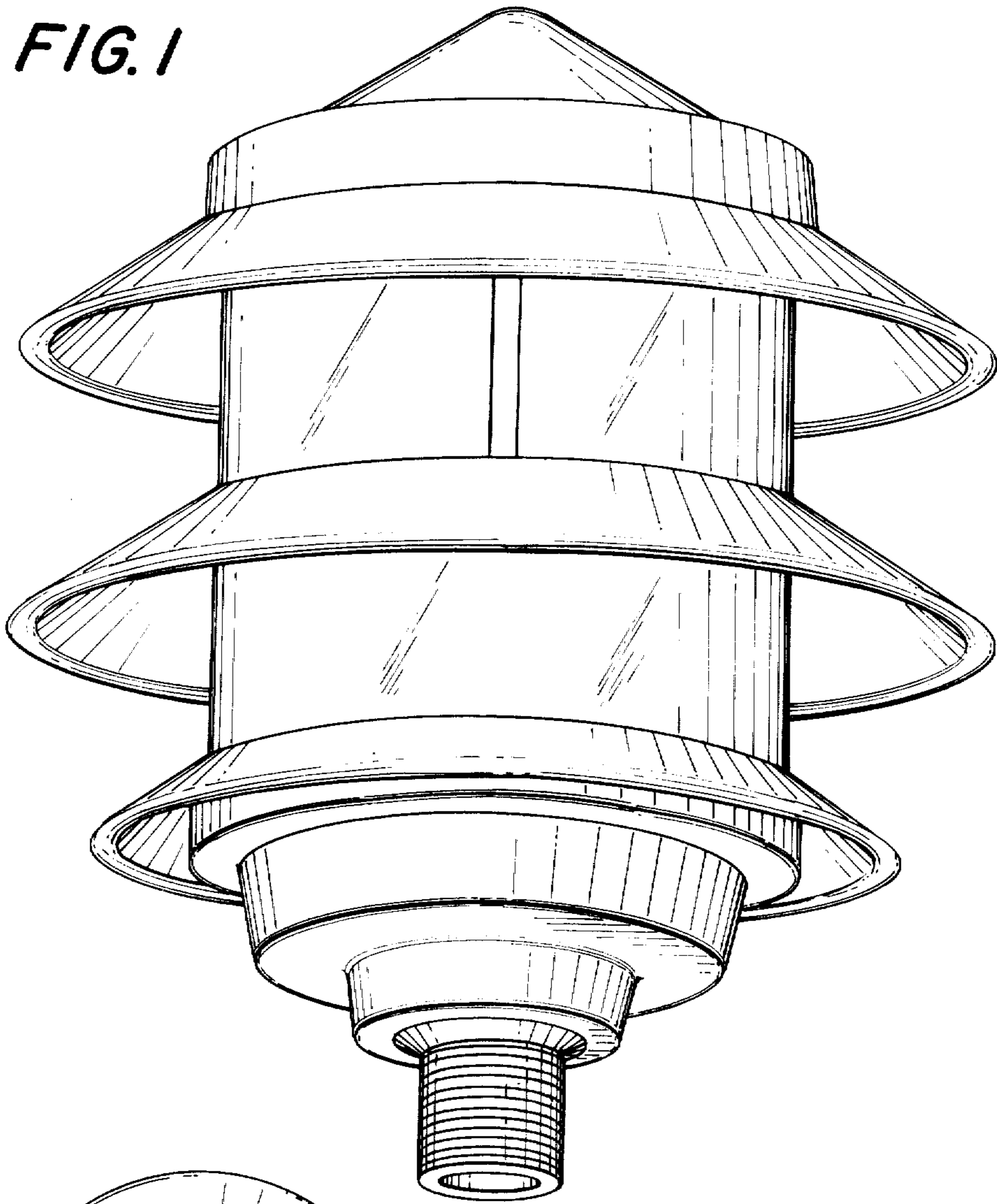


FIG. 3

FIG. 2

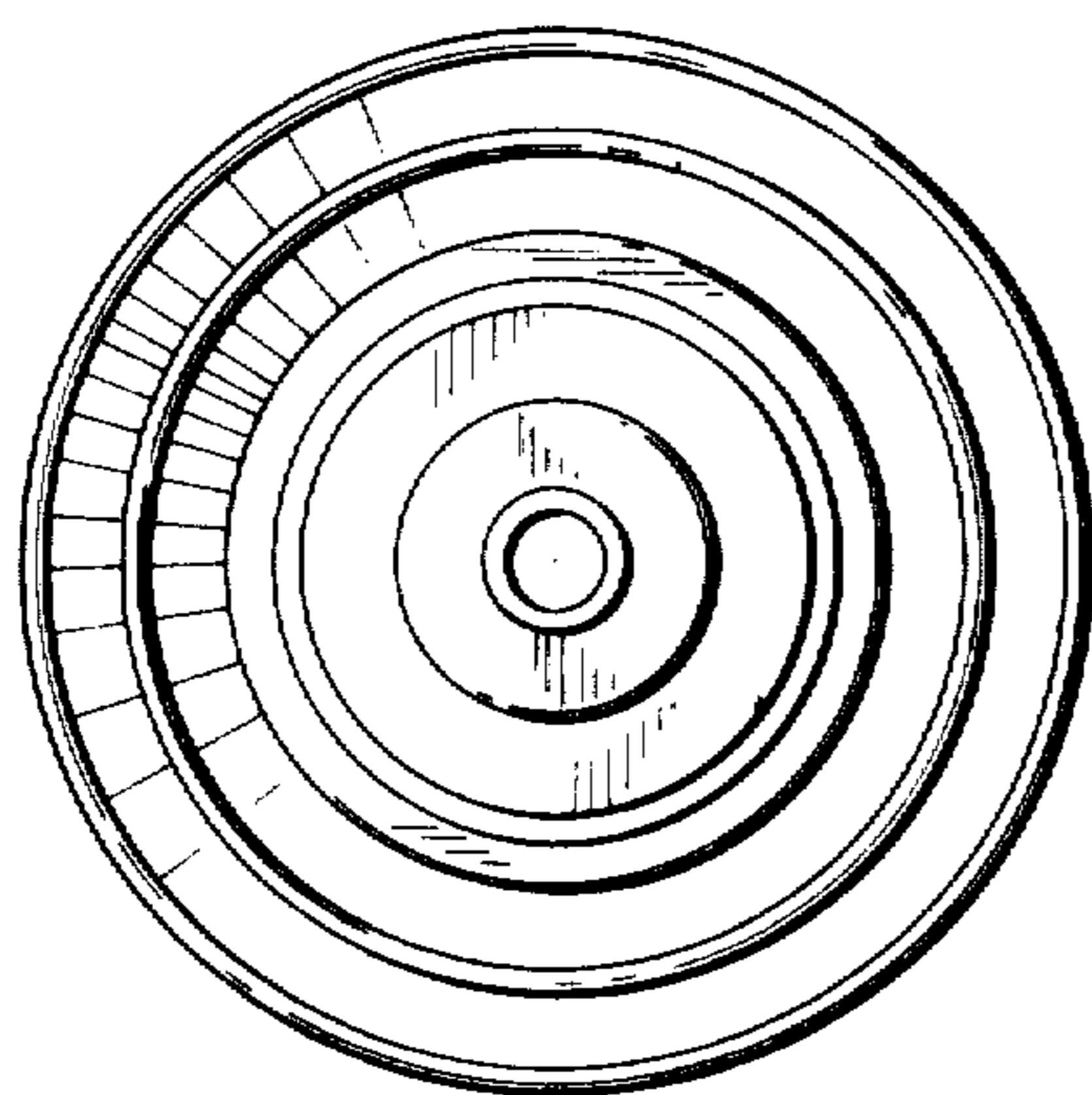
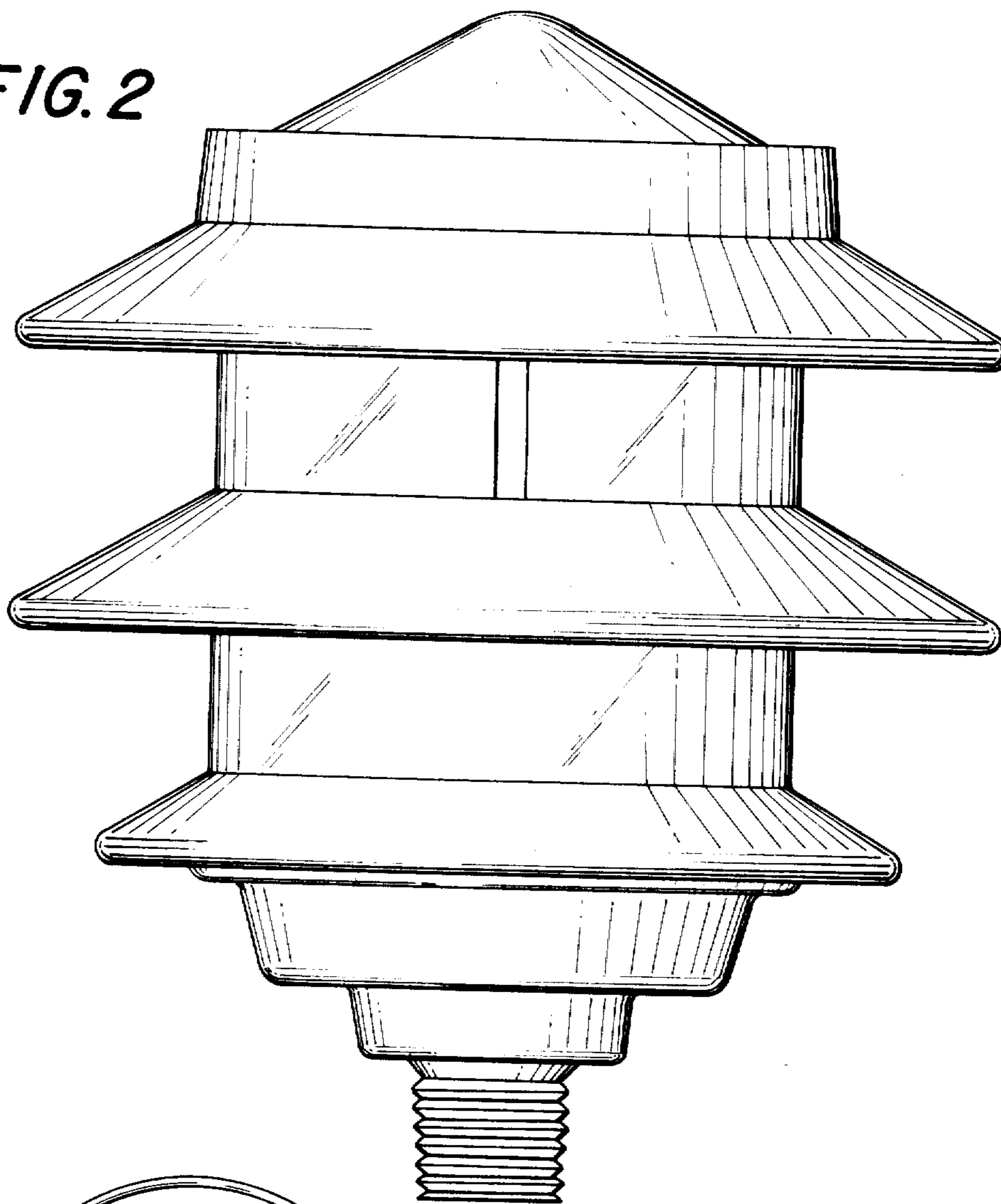


FIG. 4