

[54] **AIR FRESHENER**

[75] **Inventor:** Georg Schimanski, Hagen, Fed. Rep. of Germany

[73] **Assignee:** Globol-Werk GmbH, Fed. Rep. of Germany

[**] **Term:** 14 Years

[21] **Appl. No.:** 55,024

[22] **Filed:** Jul. 5, 1979

[30] **Foreign Application Priority Data**

Mar. 23, 1979 [DE] Fed. Rep. of Germany 7908184

[51] **Int. Cl.** **D23—04**

[52] **U.S. Cl.** **D23/150**

[58] **Field of Search** **D23/150**

[56] **References Cited**

U.S. PATENT DOCUMENTS

D. 250,041 10/1978 Schimanski D23/150
2,556,608 6/1951 Will 239/58
4,219,145 8/1980 Jaeschke 239/60 X

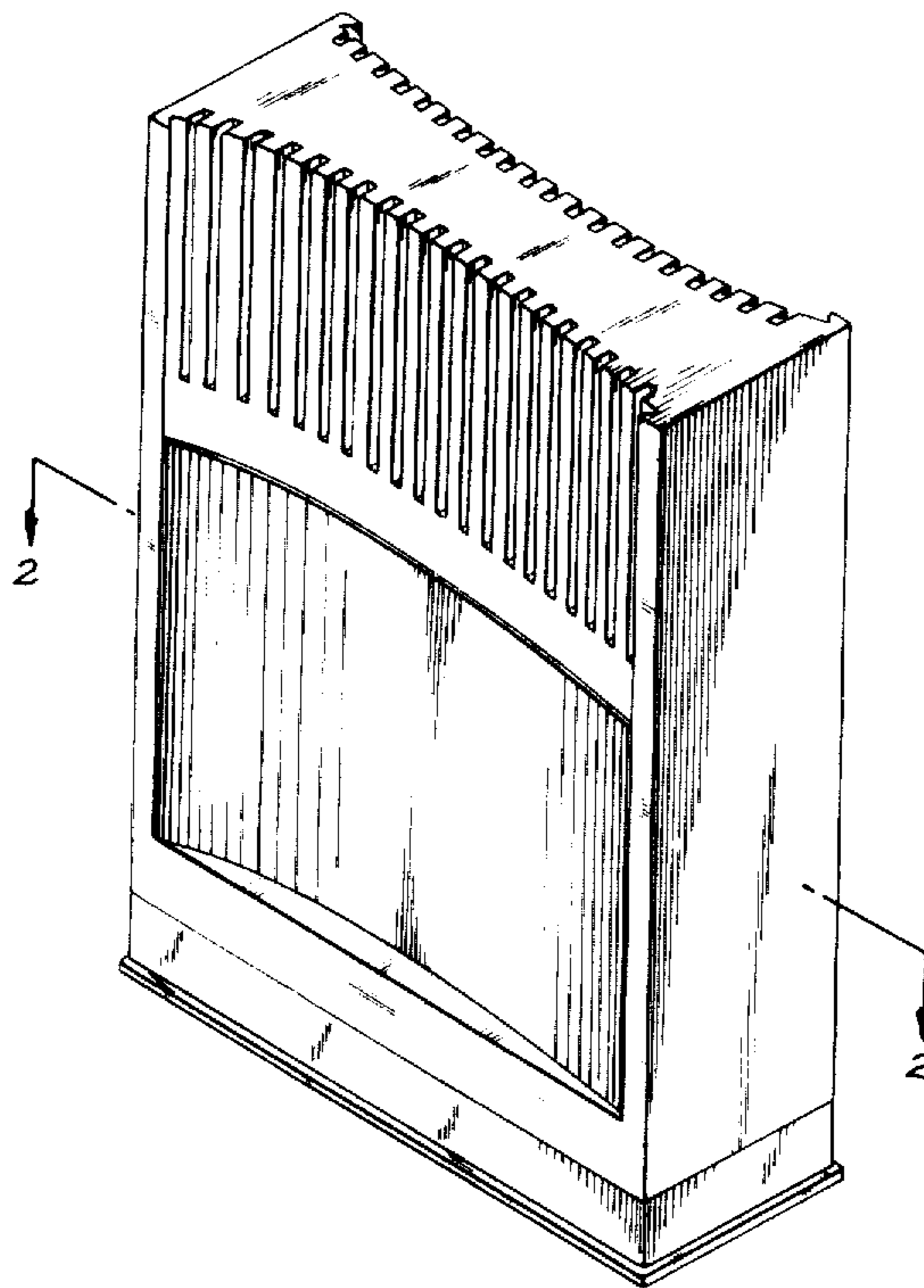
Primary Examiner—James R. Largen
Attorney, Agent, or Firm—Jacobs & Jacobs

[57] **CLAIM**

The ornamental design for an air freshener, as shown and described.

DESCRIPTION

FIG. 1 is a perspective view from the front, top and right side of an air freshener showing my new design, the rear and left side being the same as the front and right side shown; and
FIG. 2 is a cross-sectional view taken on line 2—2 of FIG. 1.



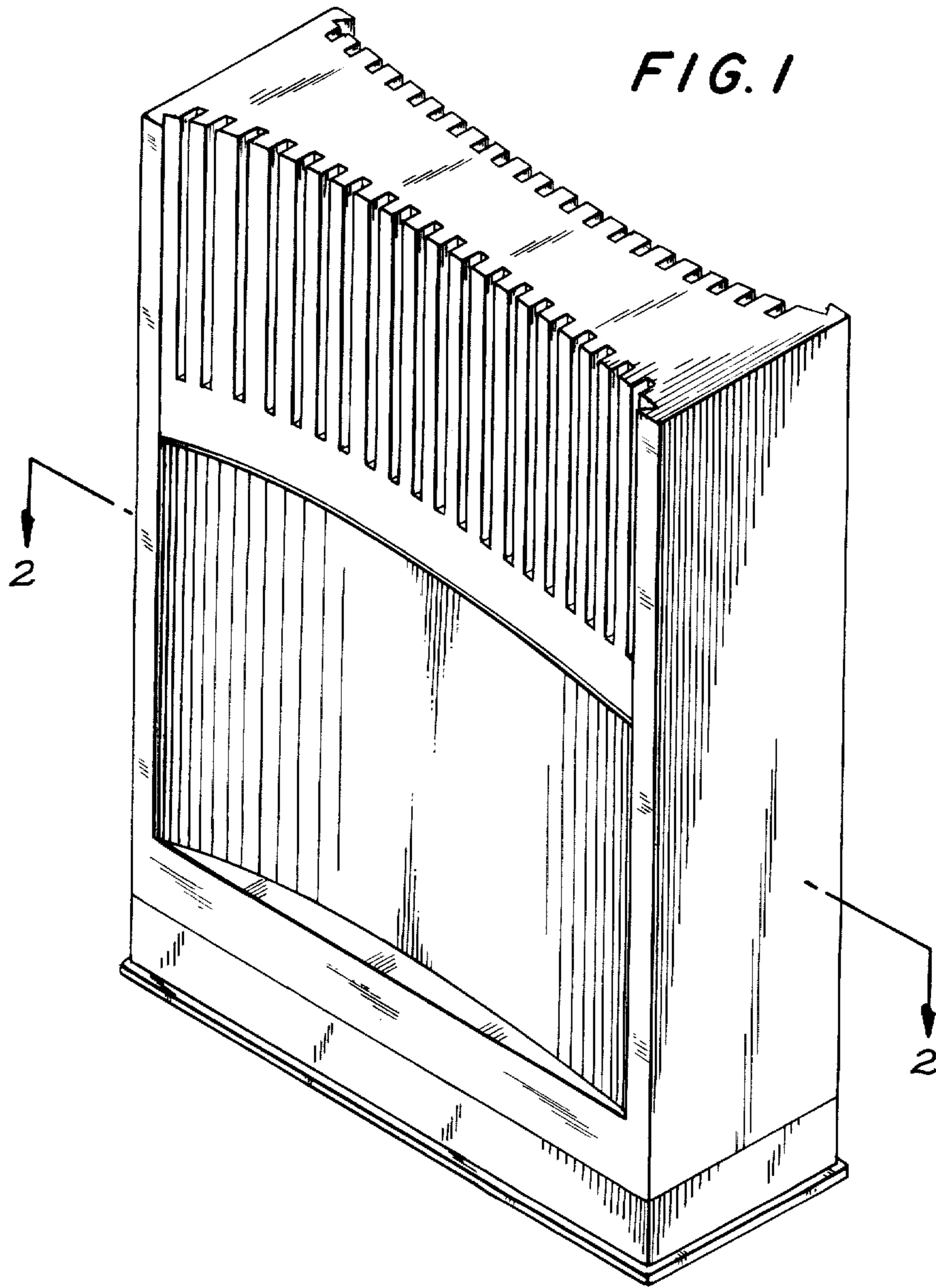


FIG. 2

