

[54] **BRACKET FOR SUPPORTING A
SPRINKLER HEAD**

[75] Inventor: **Ted L. Butterfield**, Naperville, Ill.

[73] Assignee: **Spraying Systems Company**,
Wheaton, Ill.

[**] Term: **14 Years**

[21] Appl. No.: **126,977**

[22] Filed: **Mar. 3, 1980**

[51] Int. Cl. **D23—01; D8—08**

[52] U.S. Cl. **D23/45; D8/396;**
D23/6

[58] Field of Search **D8/354, 373, 380, 382,**
D8/394, 395, 396; D23/6, 45; 248/49, 65, 74 R,
218.4, 219.3, 219.4, 230; 285/420

[56] **References Cited**
U.S. PATENT DOCUMENTS

D. 203,921	2/1966	Terwilliger	D8/396
D. 207,524	4/1967	Terwilliger	D8/396
3,167,286	1/1965	Sherburne	248/74 R
3,182,940	5/1965	Emery et al.	248/74 R

Primary Examiner—**B. J. Bullock**
Attorney, Agent, or Firm—**McWilliams, Mann &
Zummer**

[57] **CLAIM**

The ornamental design for a bracket for supporting a
sprinkler head, substantially as shown and described.

DESCRIPTION

FIG. 1 is a perspective view of a bracket for supporting
a sprinkler head showing my new design;
FIG. 2 is a front view thereof;
FIG. 3 is a side view taken from the right of FIG. 2;
FIG. 4 is a side view taken from the left of FIG. 2;
FIG. 5 is a top view thereof;
FIG. 6 is a bottom view thereof.

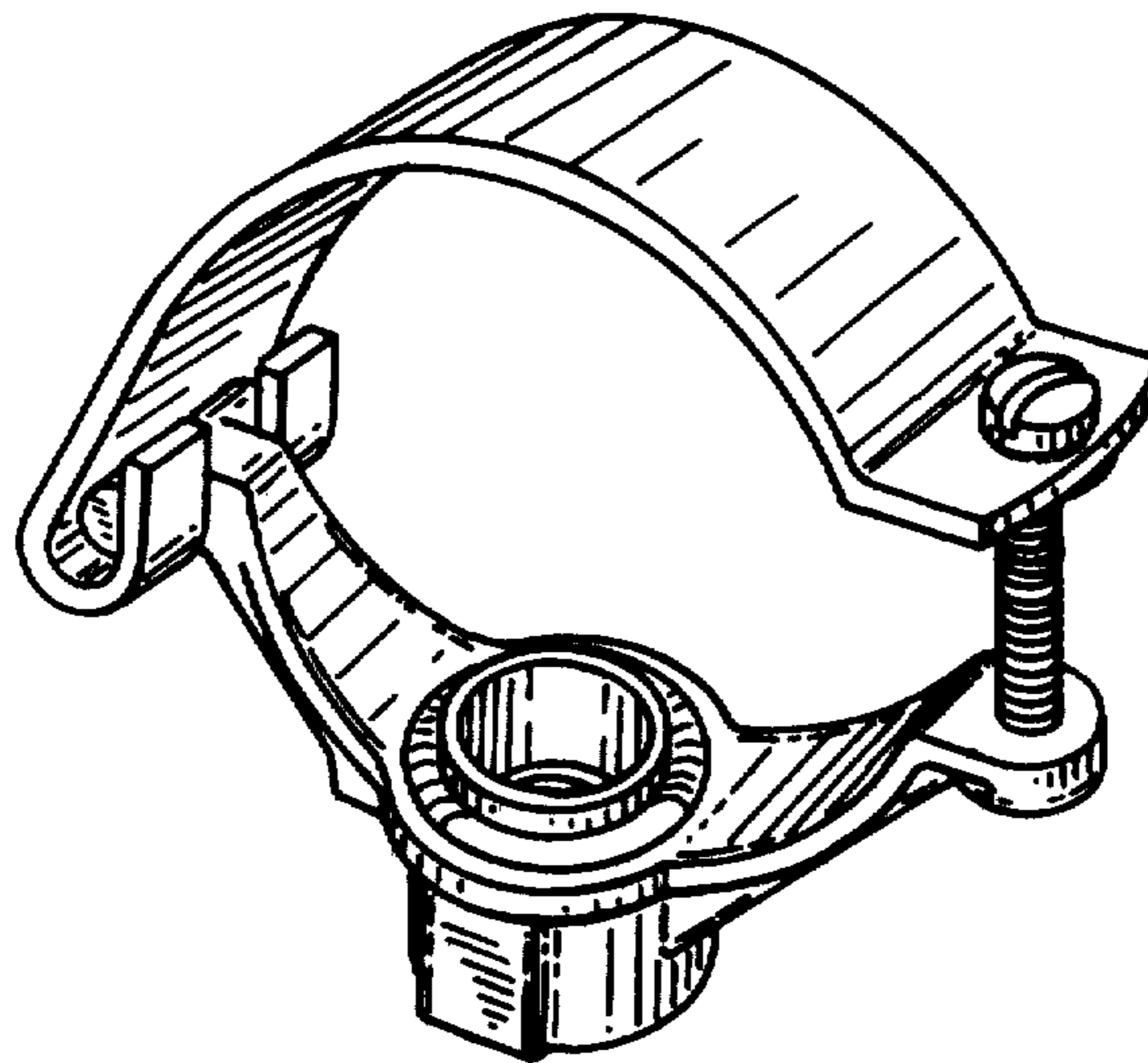


FIG. 1

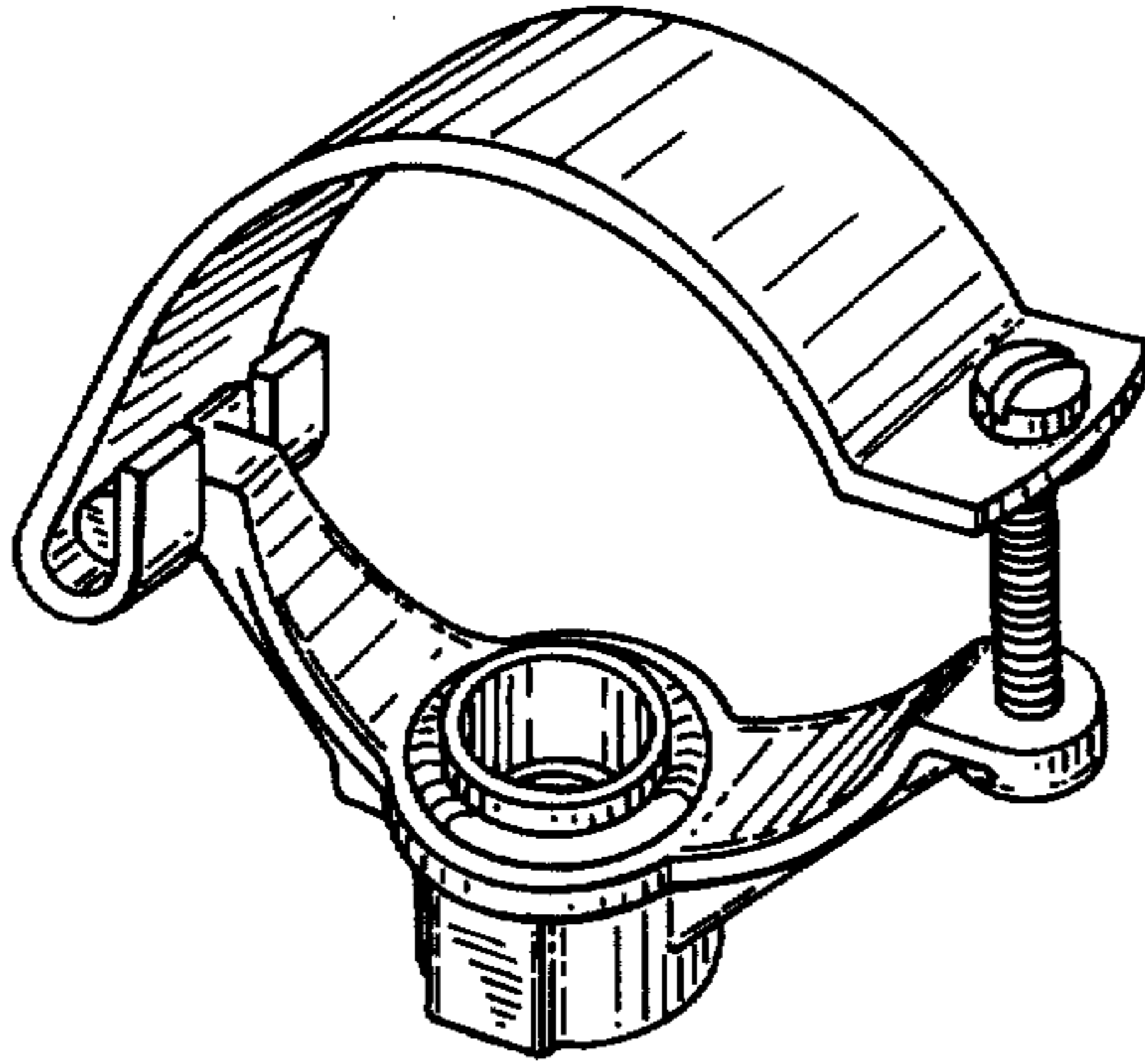


FIG. 2

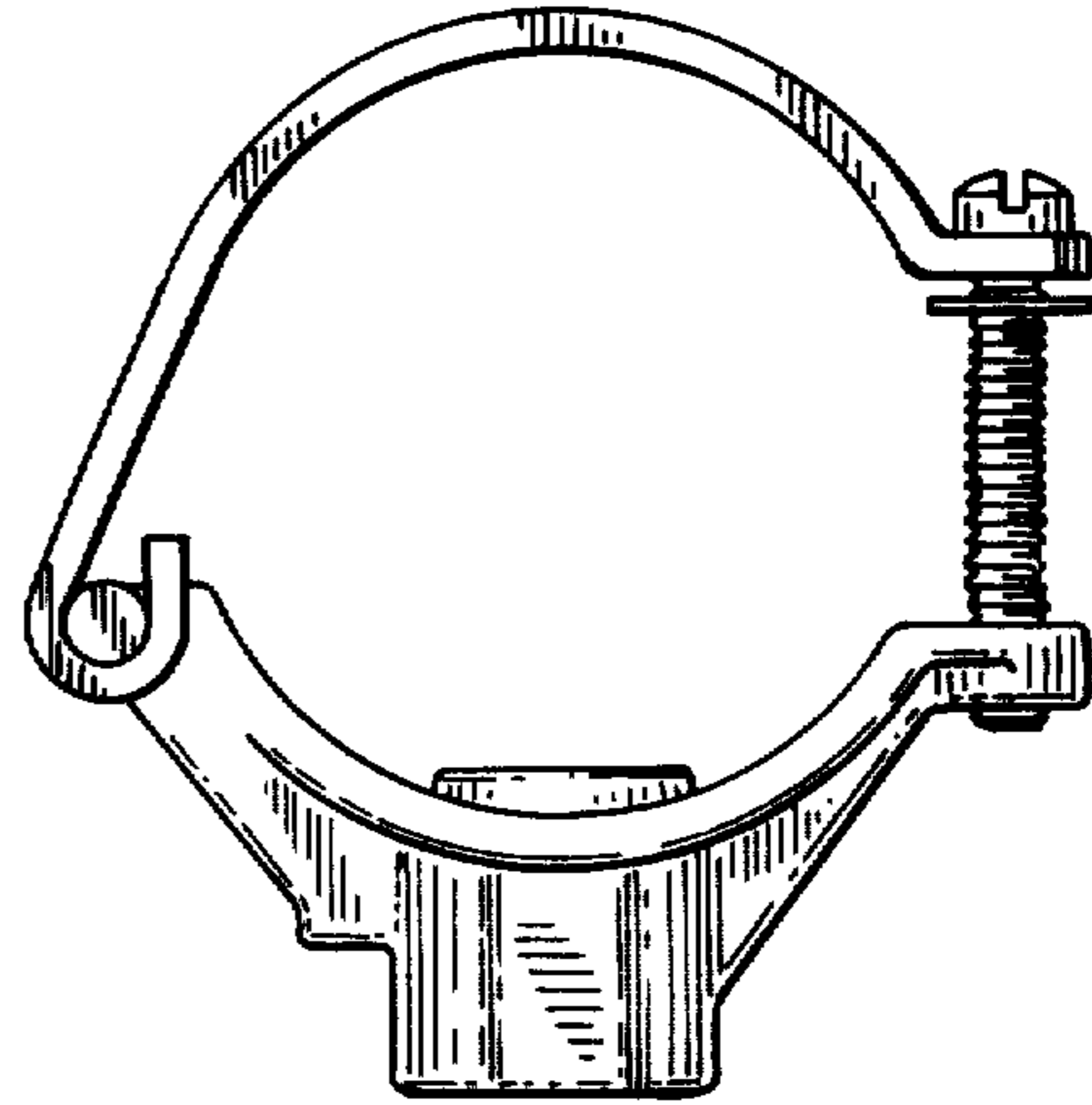


FIG. 3

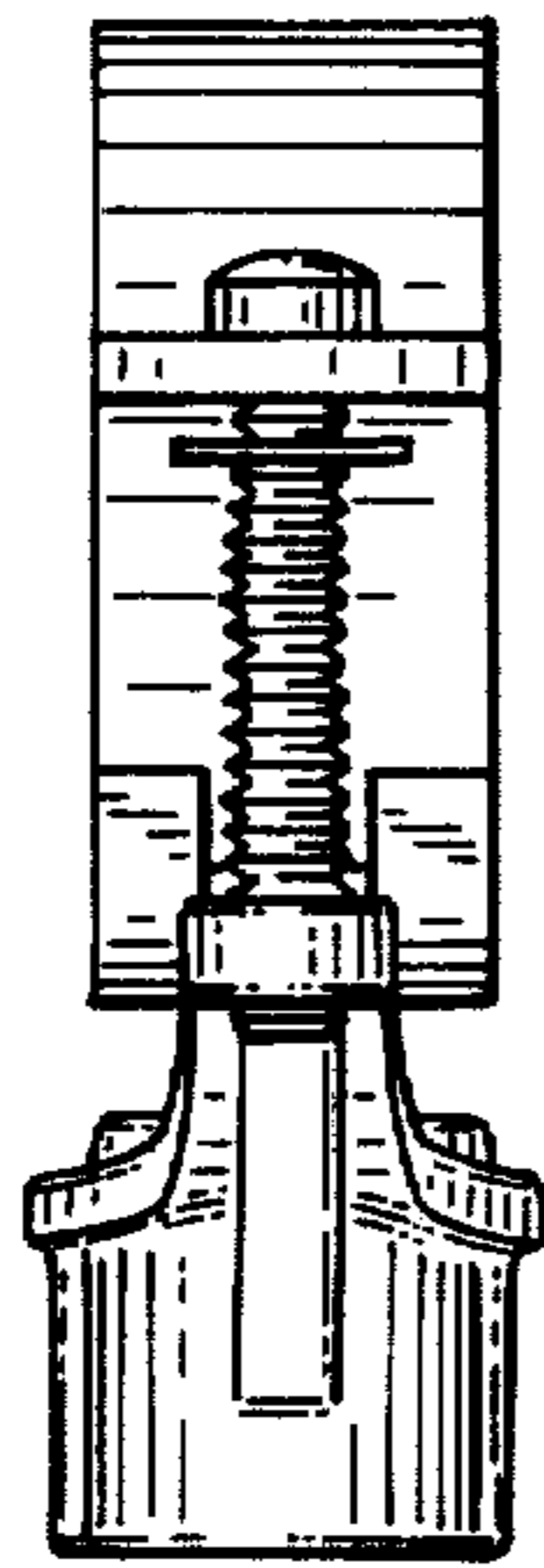


FIG. 4

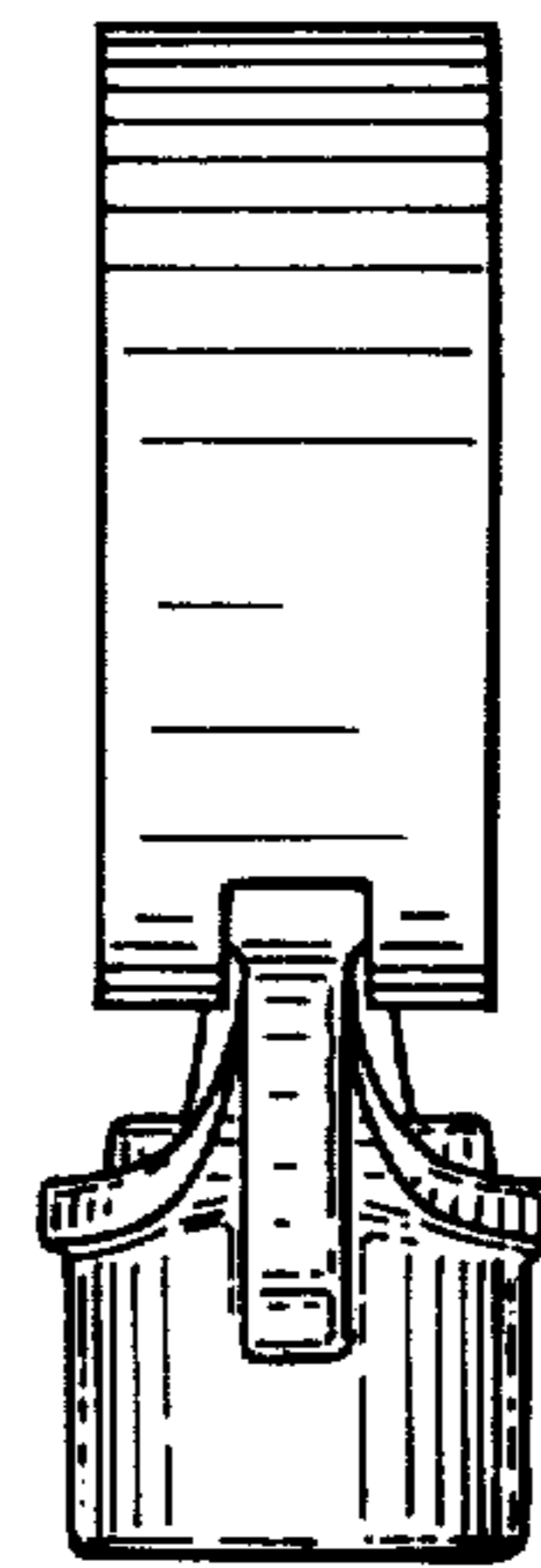


FIG. 5

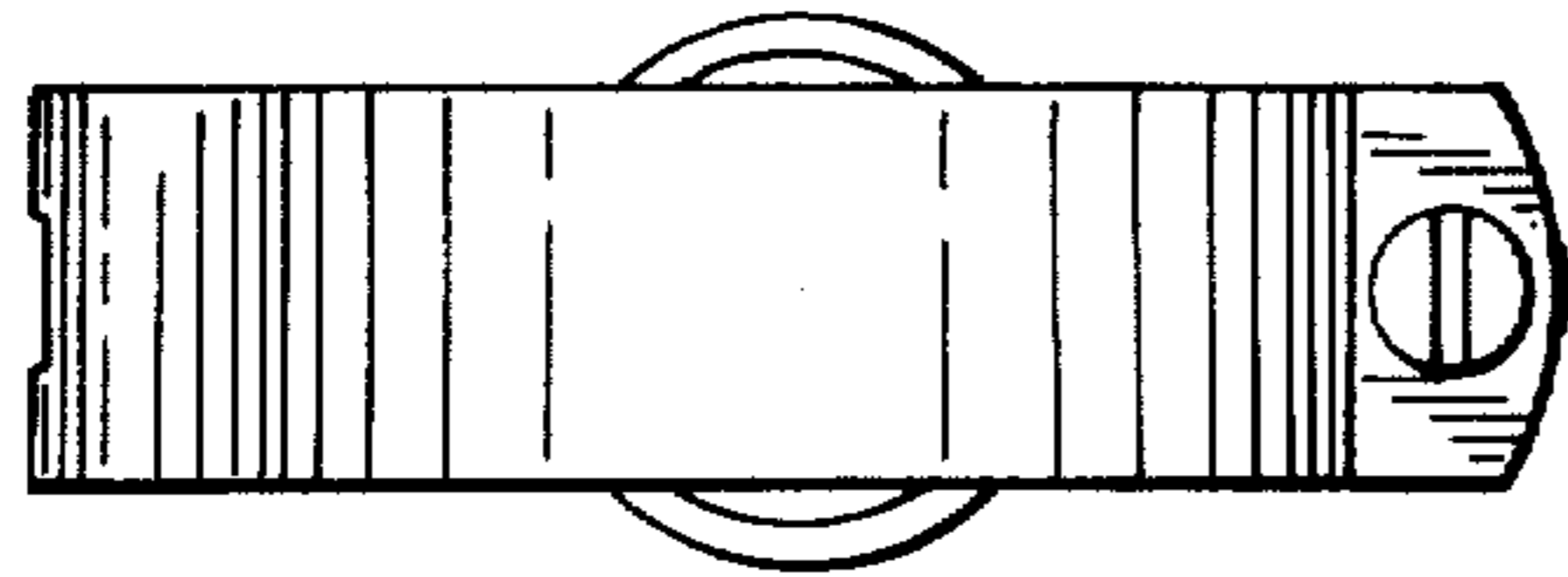


FIG. 6

