

[54] TOY FOLDING FIRETRUCK

[76] Inventor: Shinichi Kanaoki, c/o 9-10 Tateishi, 7-Chome, Katsushika-ku, Tokyo, Japan

[**] Term: 14 Years

[21] Appl. No.: 124,246

[22] Filed: Feb. 25, 1980

[30] Foreign Application Priority Data

Aug. 27, 1979 [JP] Japan 54-35691

[51] Int. Cl. D21-01

[52] U.S. Cl. D21/128; D21/133

[58] Field of Search D21/64, 71, 73, 76, D21/78, 79, 128, 132, 133; 46/101, 201, 214, 222

[56] References Cited

U.S. PATENT DOCUMENTS

D. 219,666 1/1971 Gilford D21/140

D. 227,282 6/1973 Schreckengost D21/133
D. 248,119 6/1978 Nix et al. D21/134
4,187,636 2/1980 Pauly 46/201

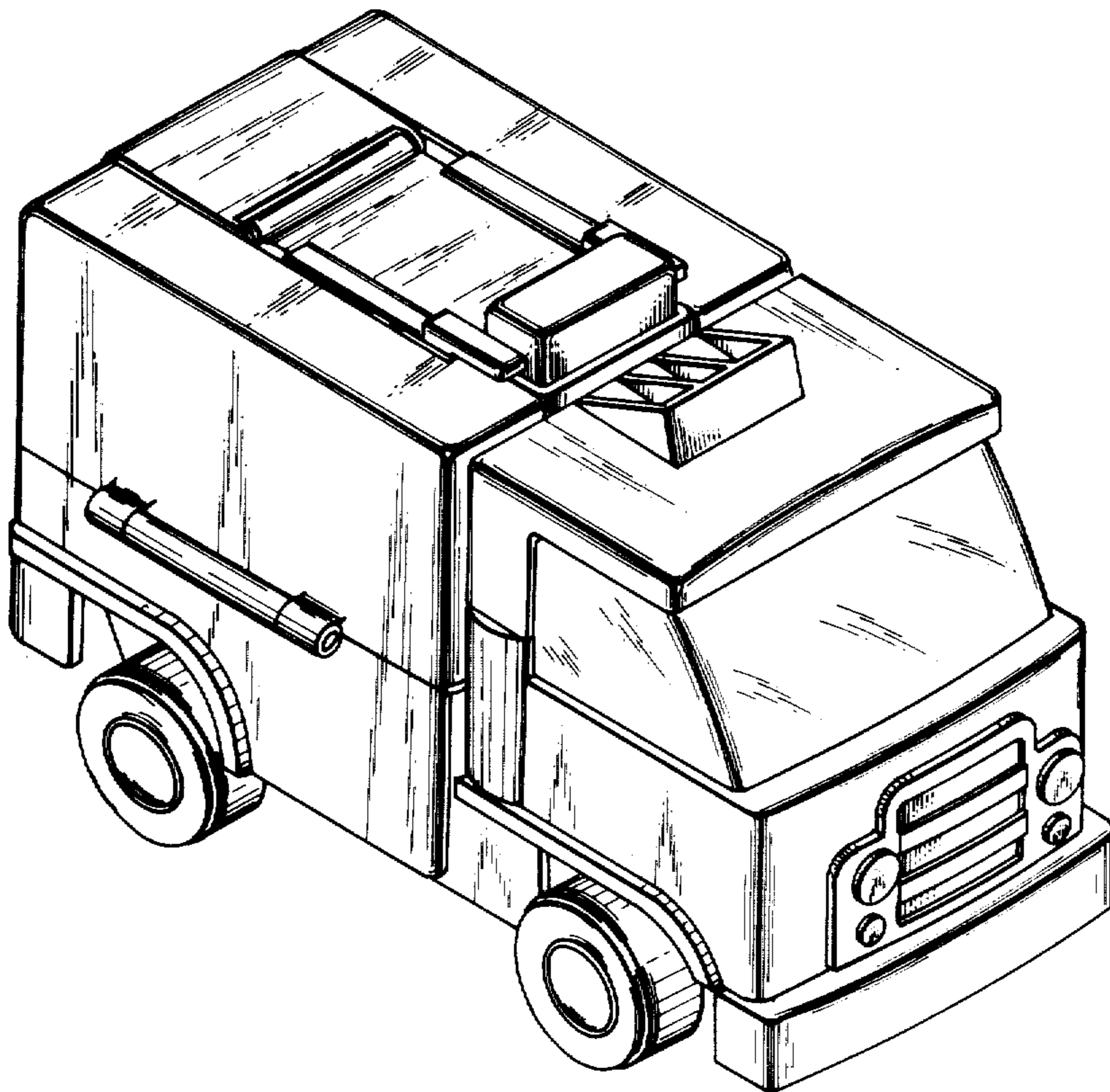
Primary Examiner—Charles A. Rademaker
Attorney, Agent, or Firm—Harpman & Harpman

[57] CLAIM

The ornamental design for a toy folding firetruck, substantially as shown and described.

DESCRIPTION

FIG. 1 is a perspective view of a toy folding firetruck showing my new design;
FIG. 2 is a rear elevational view thereof;
FIG. 3 is a left side elevational view thereof;
FIG. 4 is a bottom plan view thereof;
FIG. 5 is a right side elevational view thereof in an unfolded condition;
FIG. 6 is a front elevational view thereof;
FIG. 7 is a left side elevational view thereof;
FIG. 8 is a rear elevational view thereof;
FIG. 9 is a top plan view thereof; and,
FIG. 10 is a bottom plan view thereof.



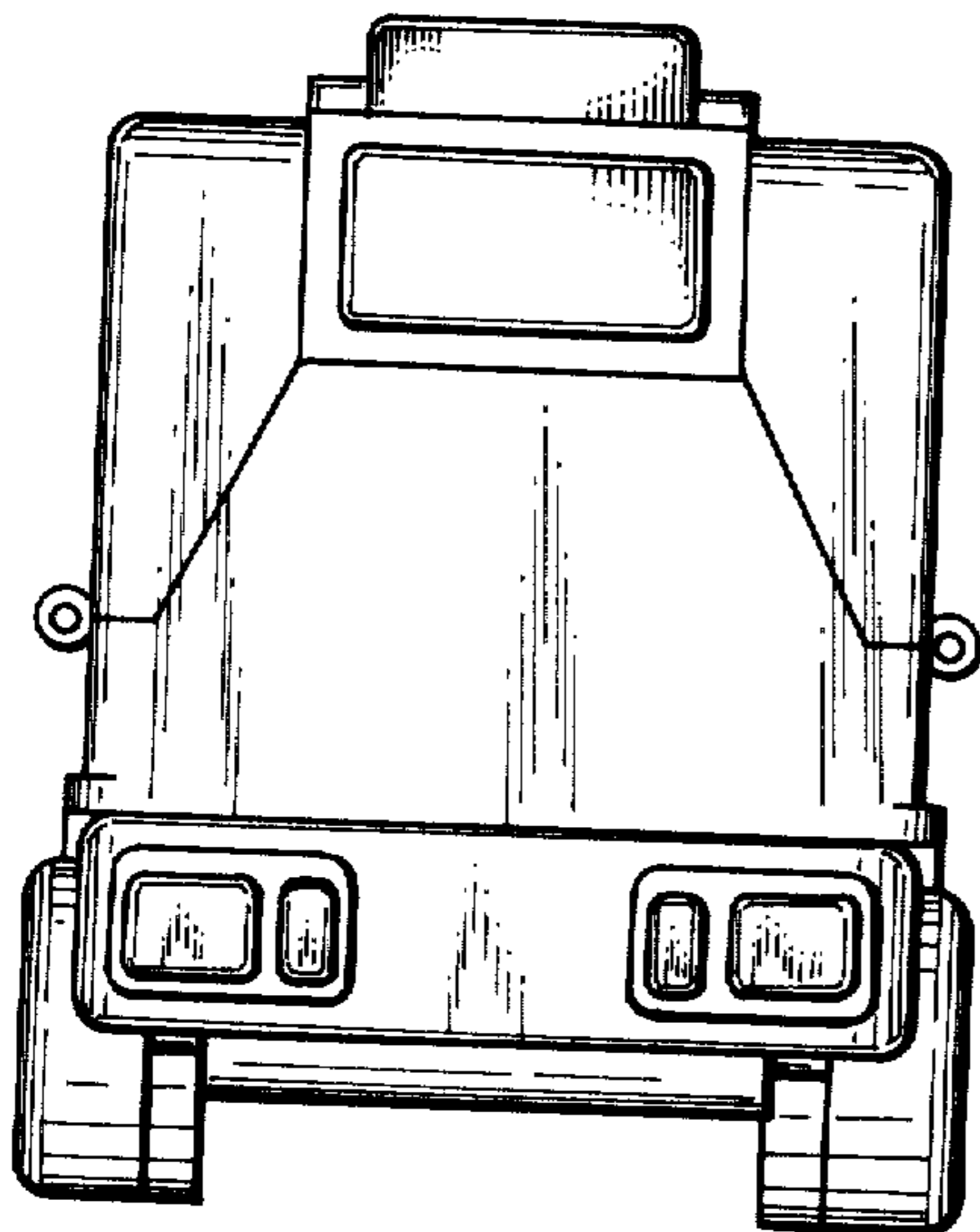
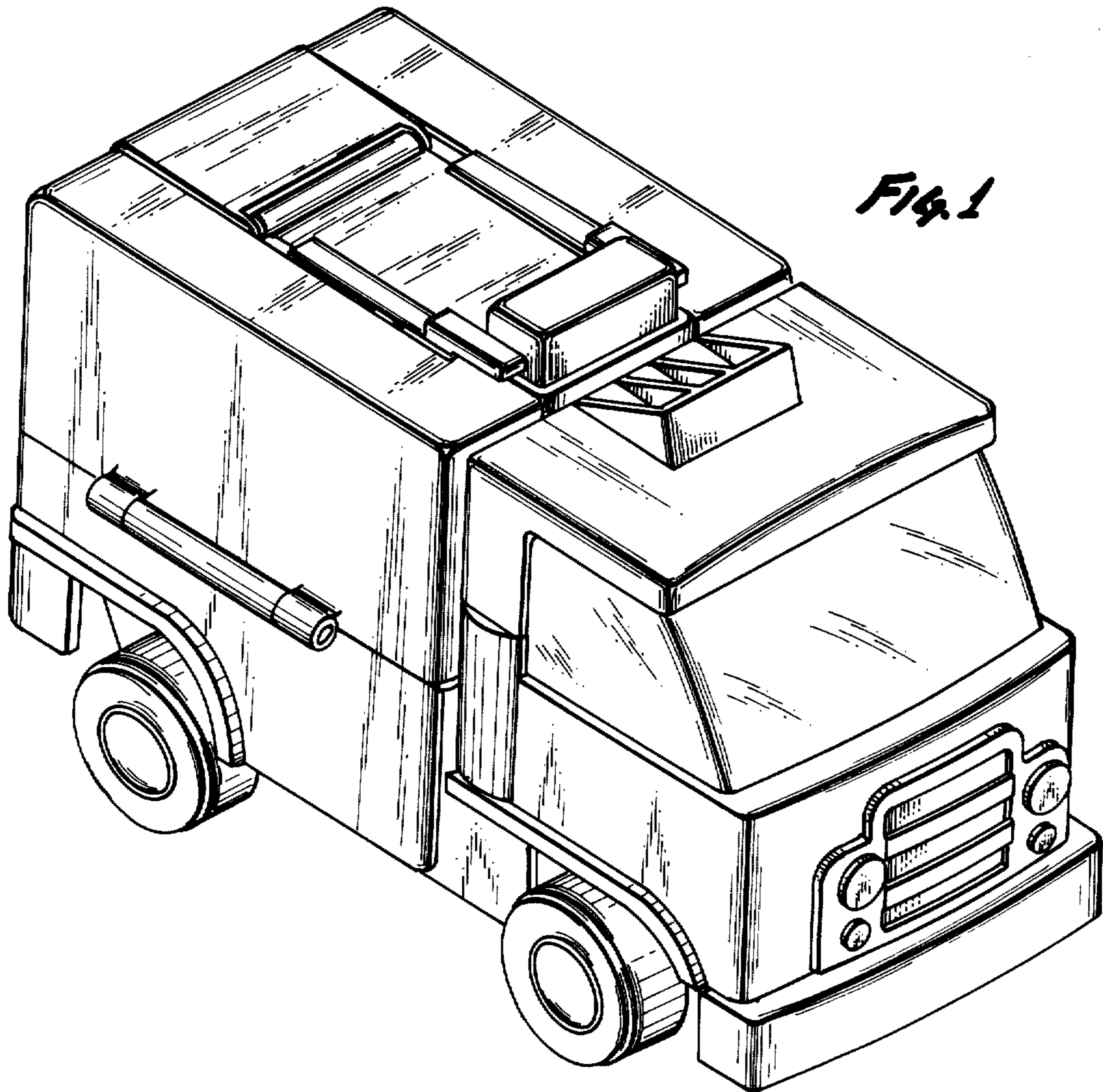


Fig. 3

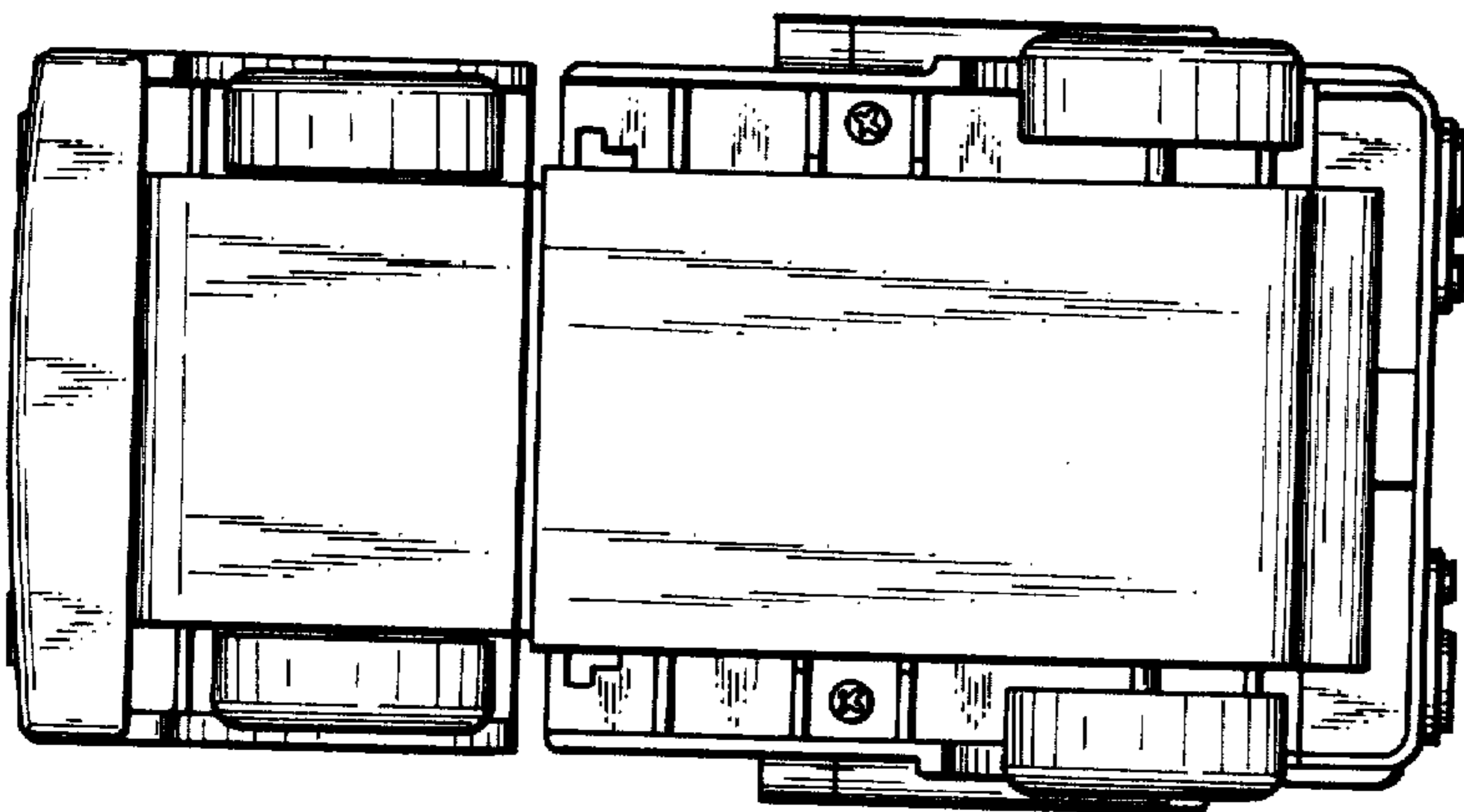
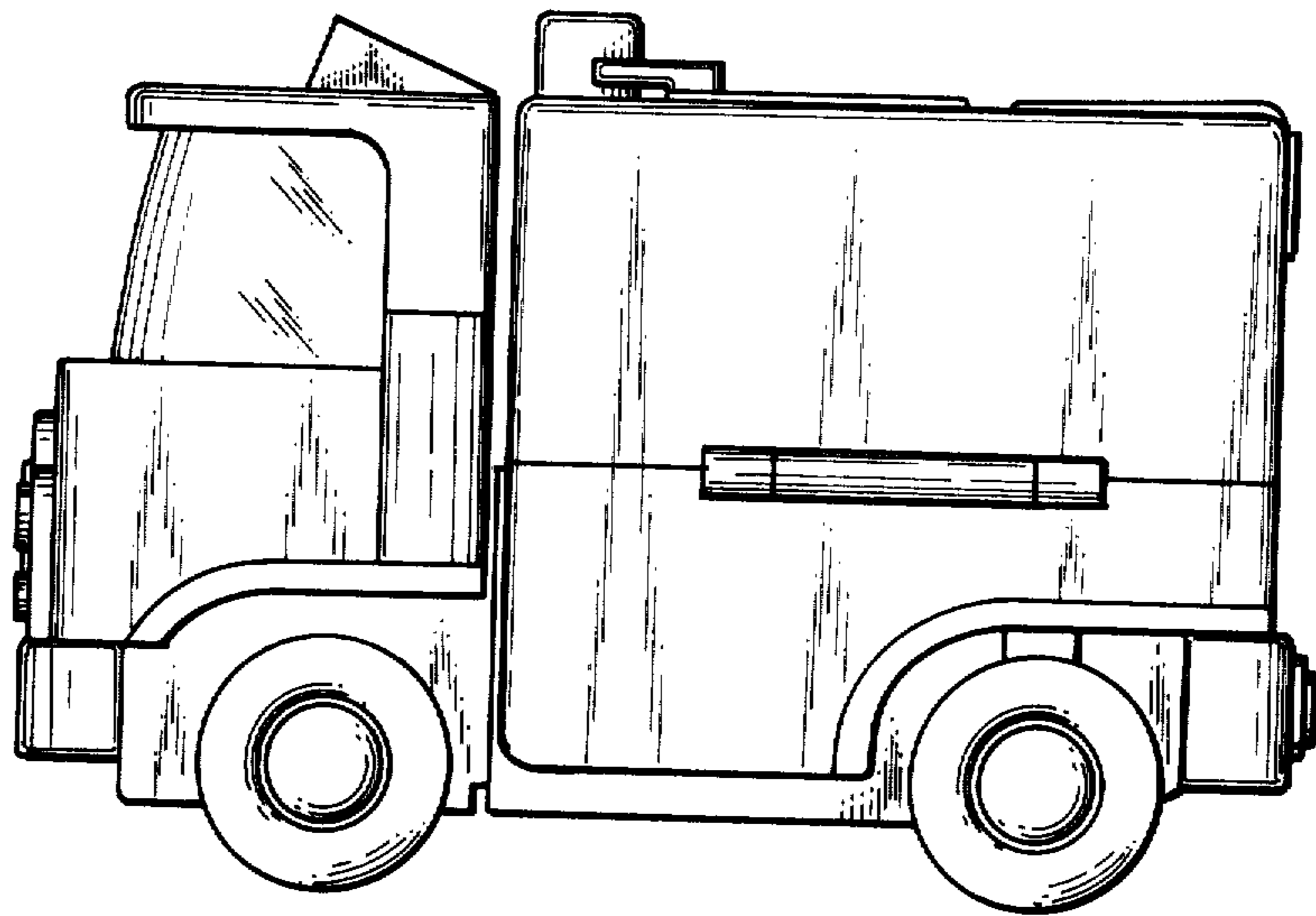


Fig. 4

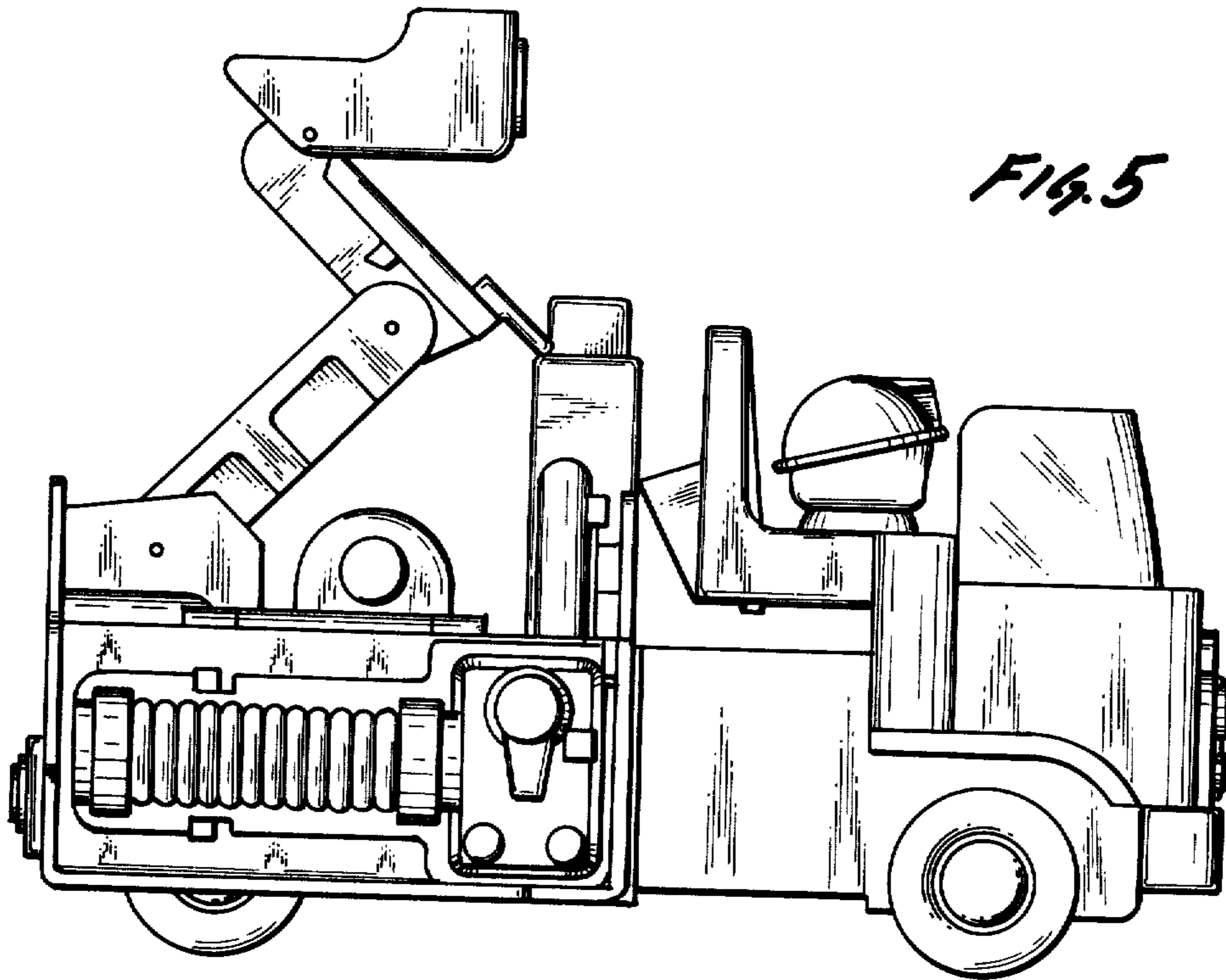


Fig. 5

Fig. 6

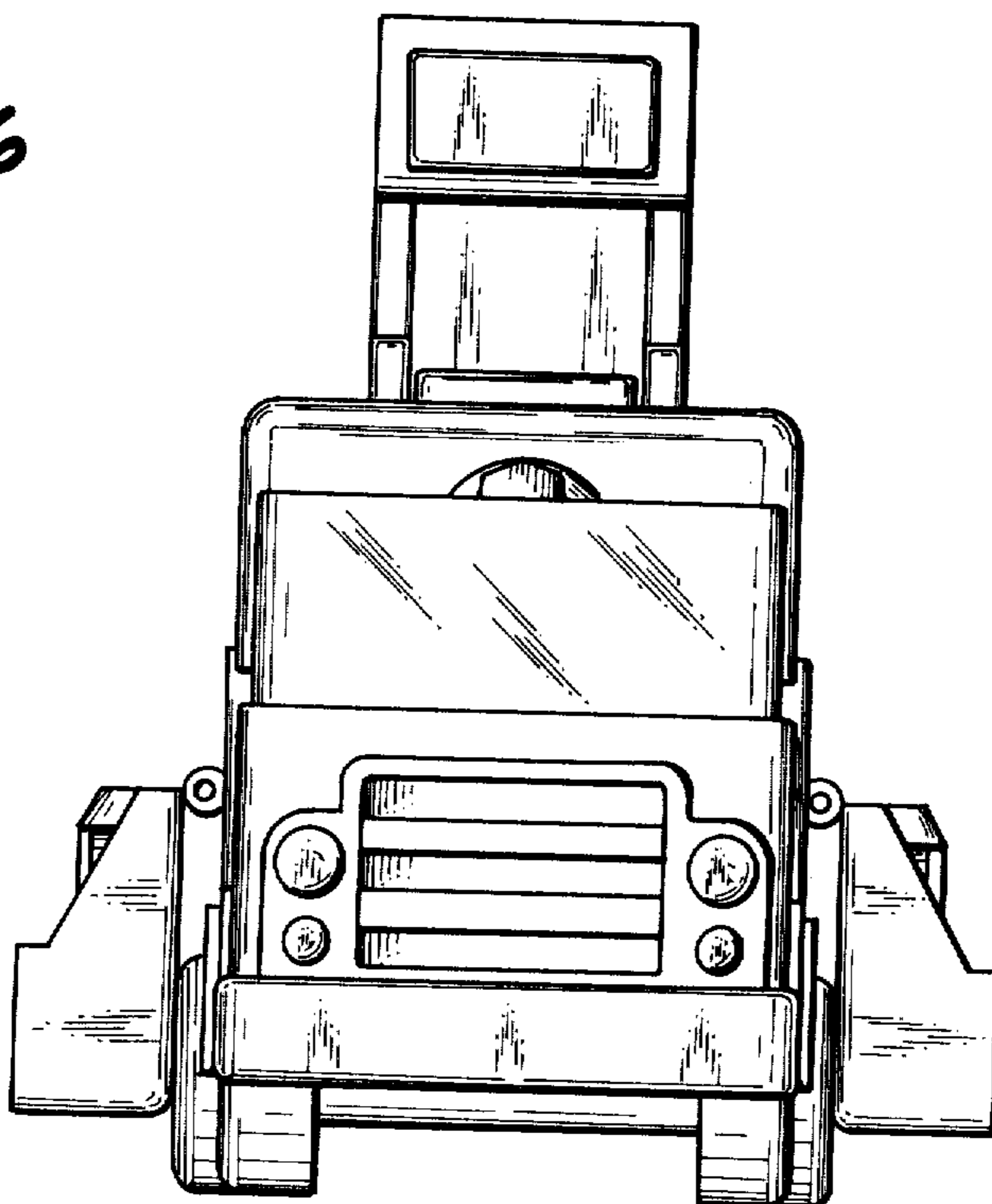


FIG. 7

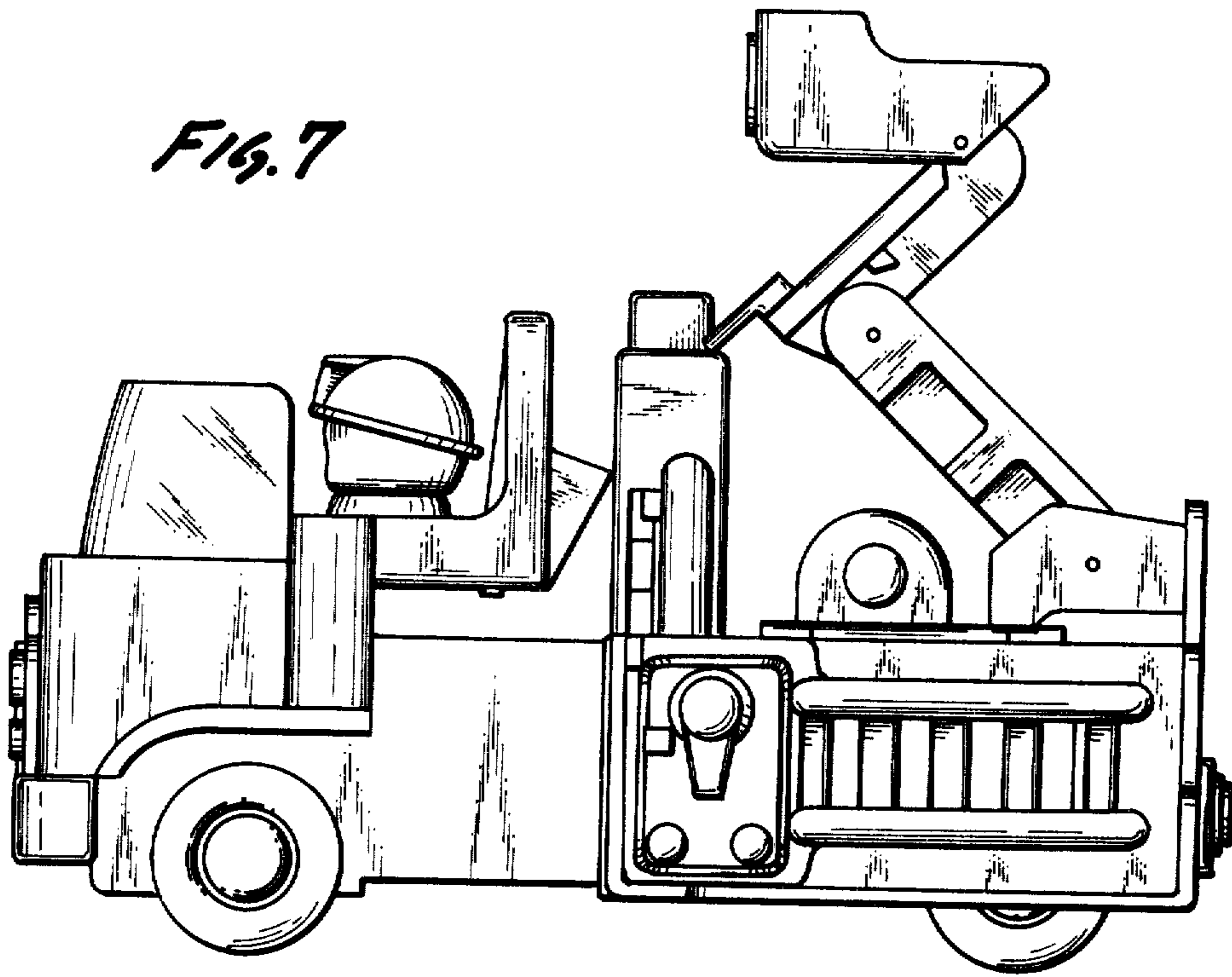


FIG. 8

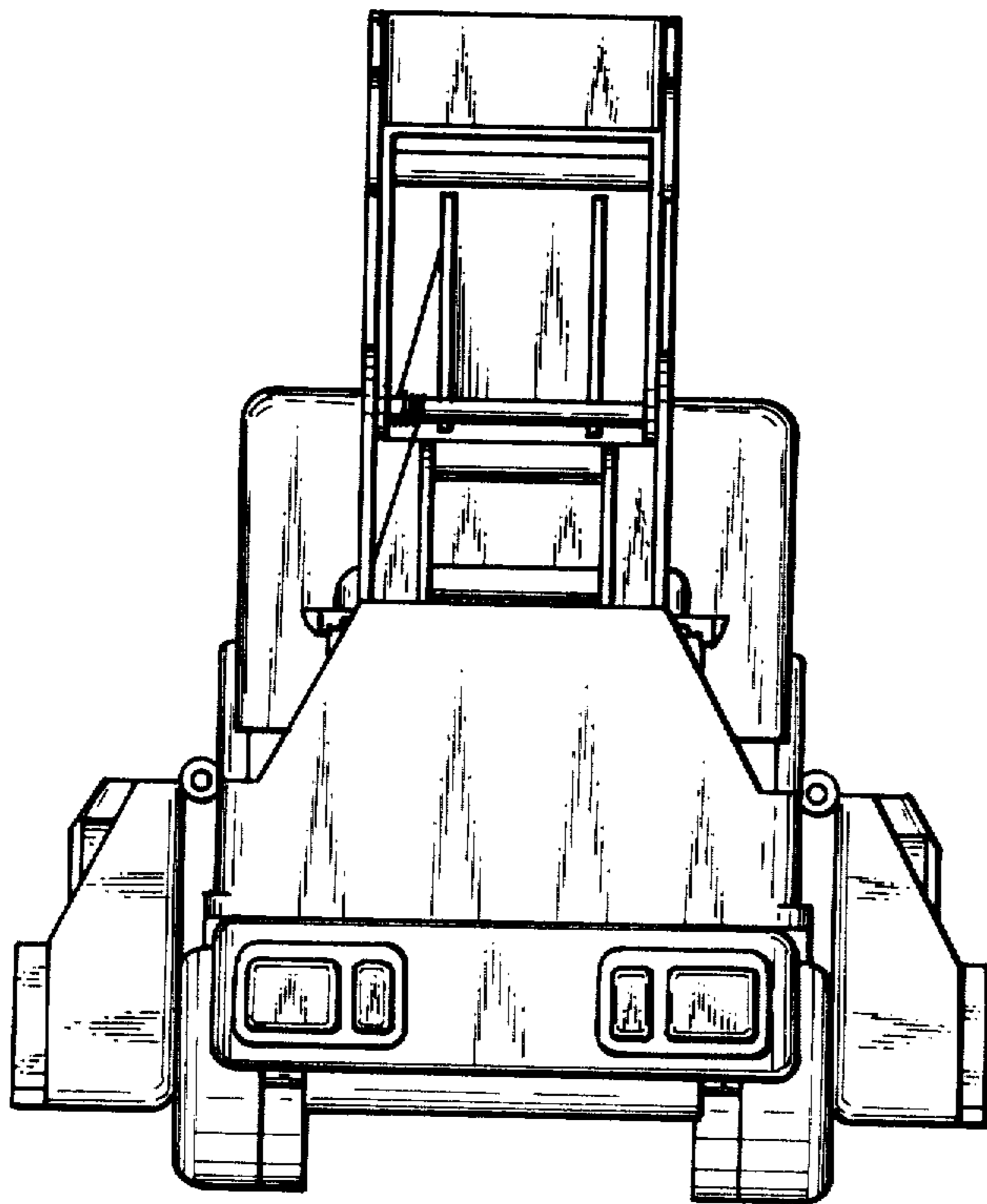


Fig. 9

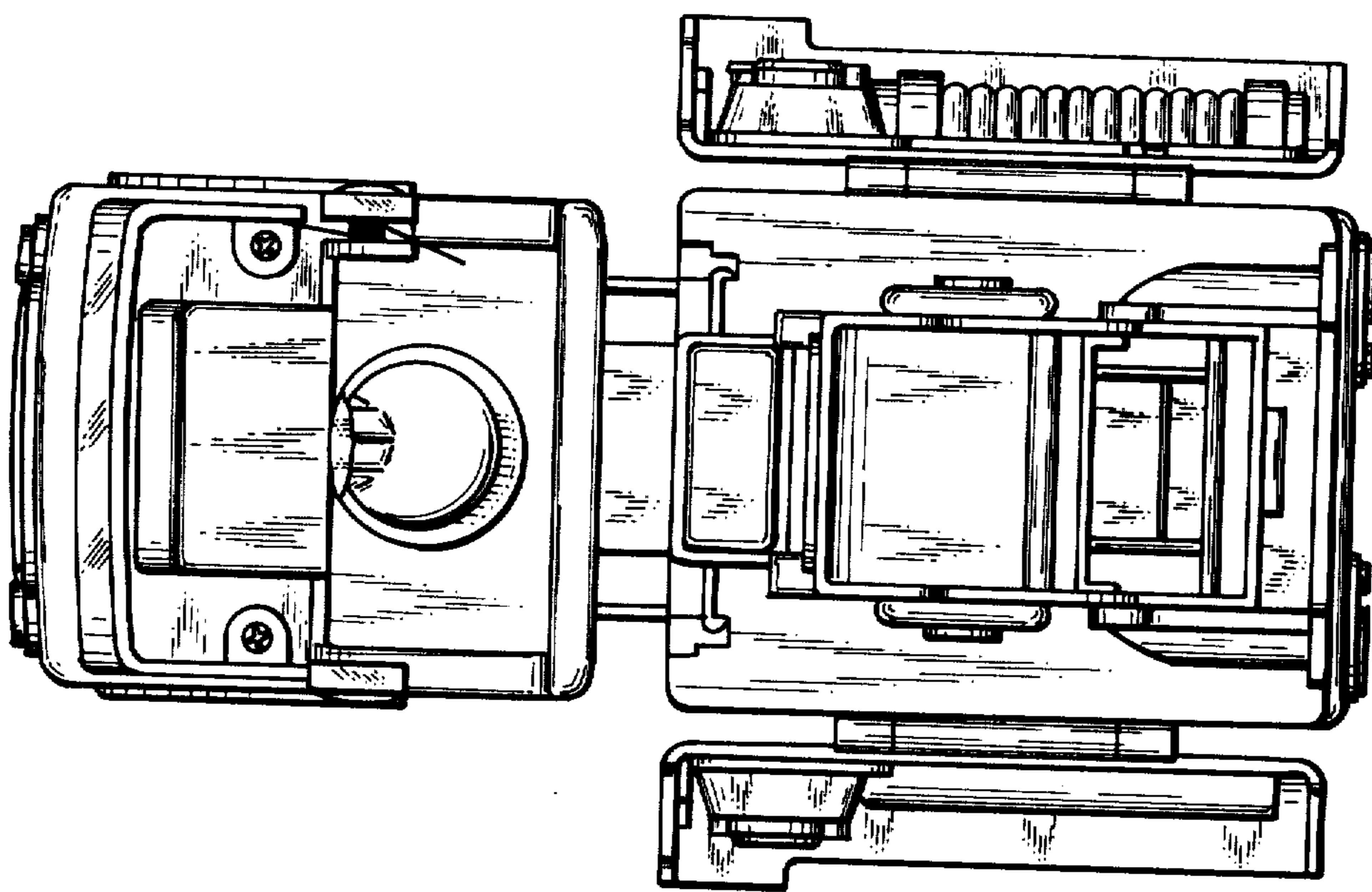


Fig. 10

