

[54] COMBINED PUZZLE AND CONSTRUCTION TOY

[75] Inventors: Danny E. Simpson, Baltimore, Md.; John P. Johnson, Hopewell, N.J.; David M. Williams, Montreal, Canada

[73] Assignee: Johnson & Johnson Baby Products Company, New Brunswick, N.J.

[**] Term: 14 Years

[21] Appl. No.: 95,827

[22] Filed: Nov. 19, 1979

[51] Int. Cl. D21-01

[52] U.S. Cl. D21/107

[58] Field of Search D9/424; D21/104-107; D30/35; 206/45, 34; 273/153 R, 156, 157 R, 159, 160

[56]

References Cited

U.S. PATENT DOCUMENTS

D. 4,793	4/1871	Loyd	D21/107
D. 157,468	2/1950	Burger	D9/424
D. 206,336	11/1966	Wilson	D21/107
D. 217,484	5/1970	Hicks et al.	D21/104
3,765,121	10/1973	Vennola	273/157 R

Primary Examiner—Leland A. Sebastian
Attorney, Agent, or Firm—Jason Lipow

[57]

CLAIM

The ornamental design for a combined puzzle and construction toy, substantially as shown and described.

DESCRIPTION

FIG. 1 is a top plan view of a combined puzzle and construction toy showing our new design; FIG. 2 is a side elevational view, the opposite side, front and back, being identical thereto; and, FIG. 3 is an exploded perspective view.

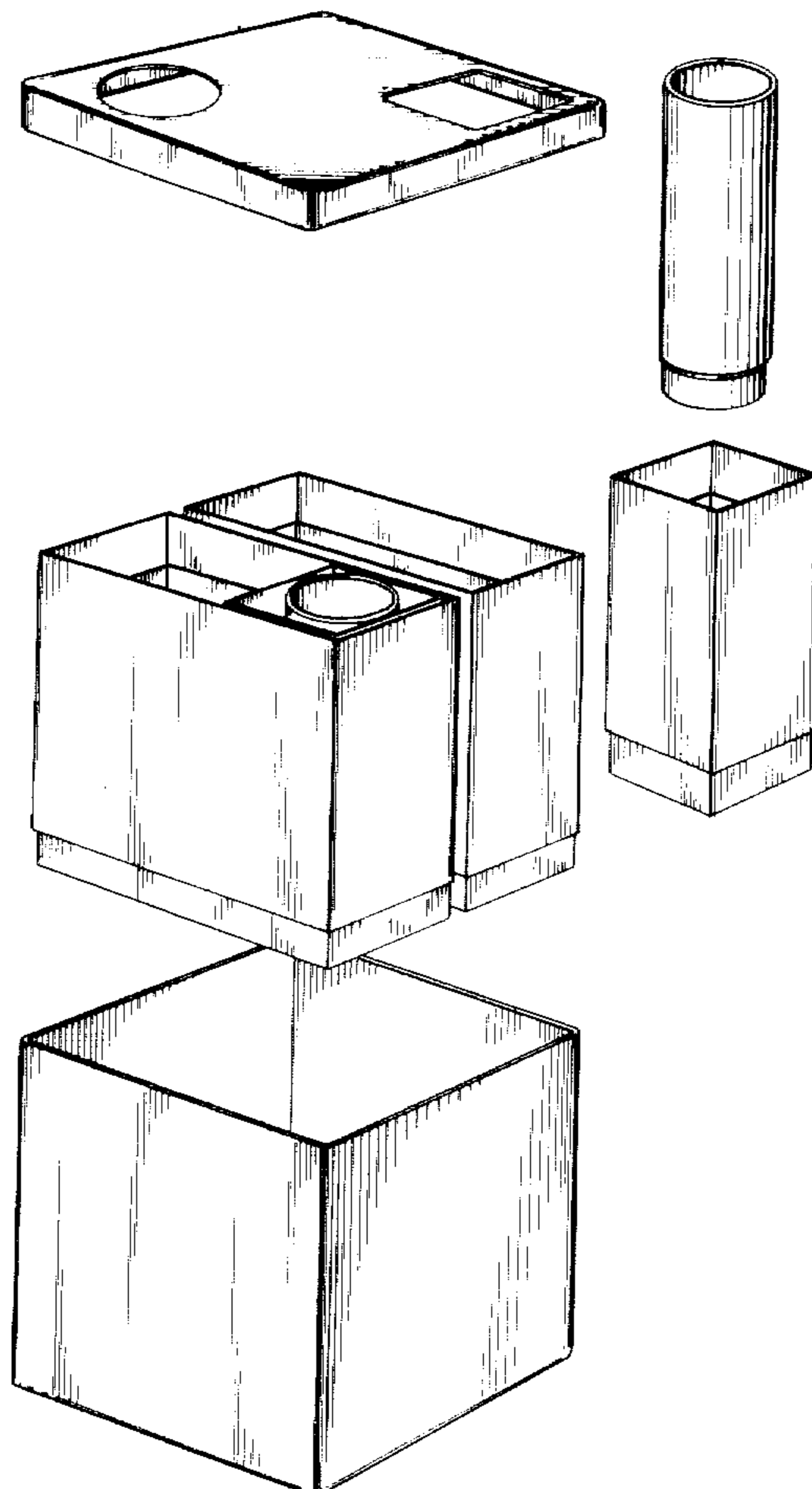


Fig. 1.

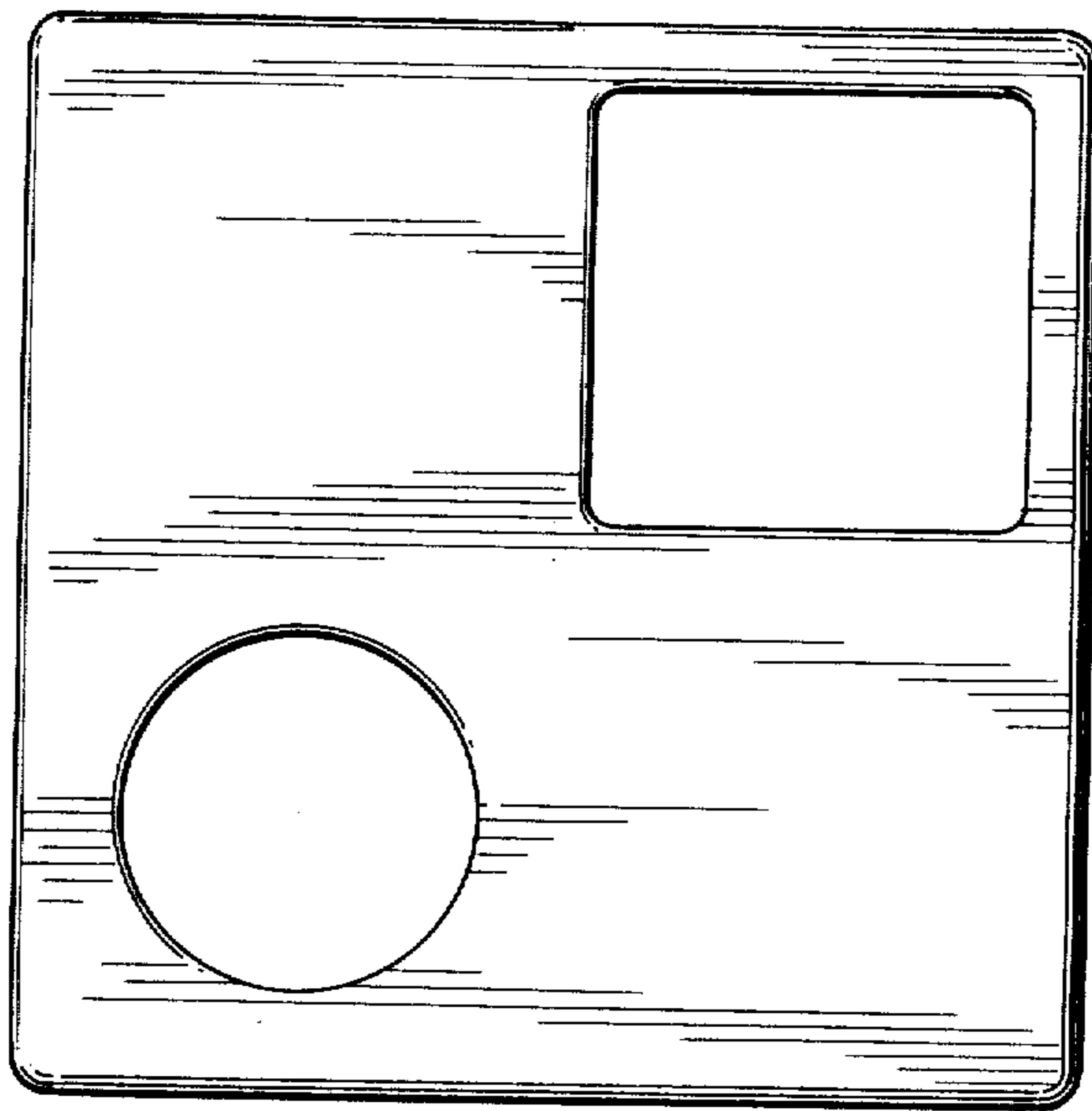
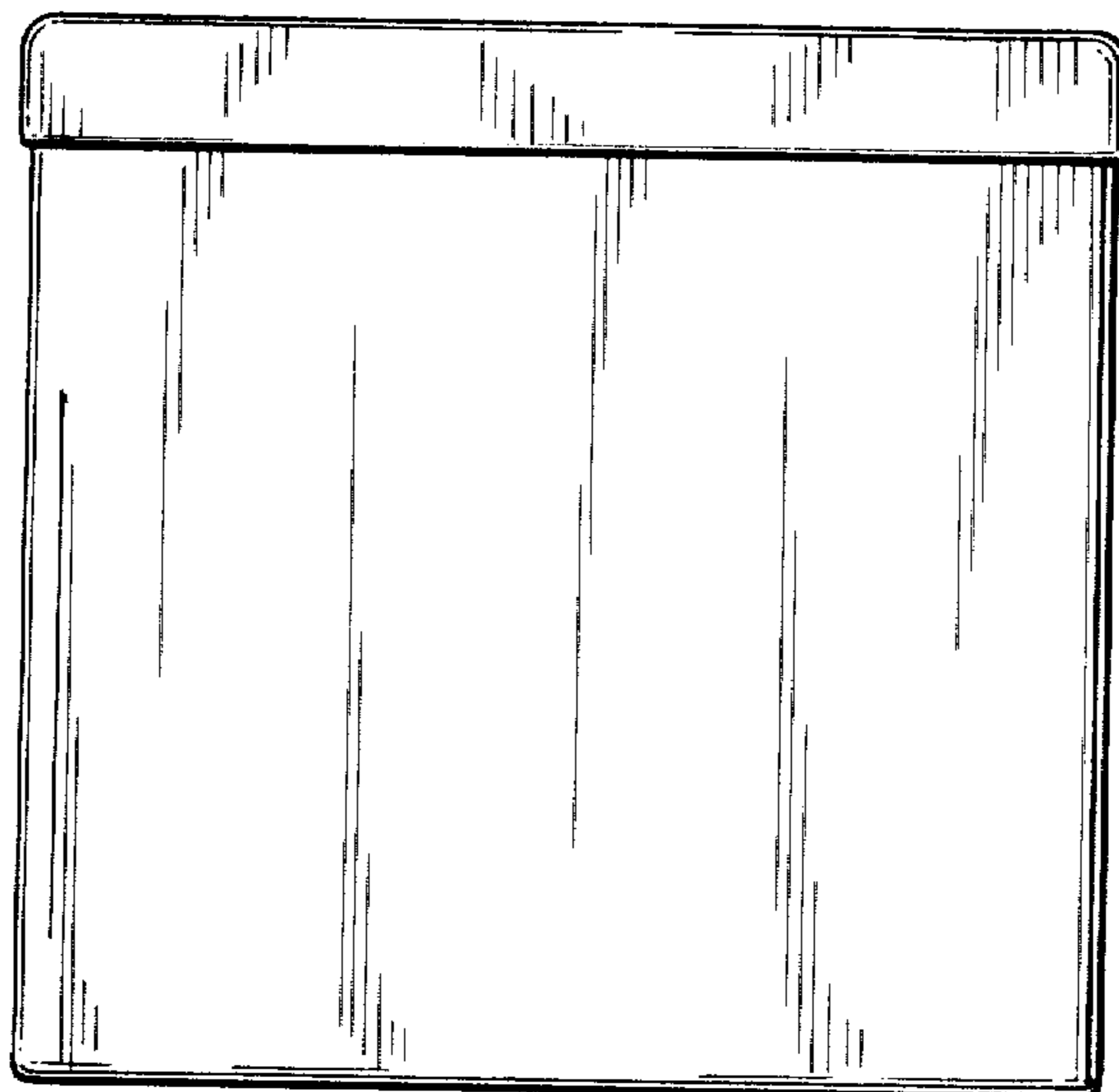


Fig. 2.



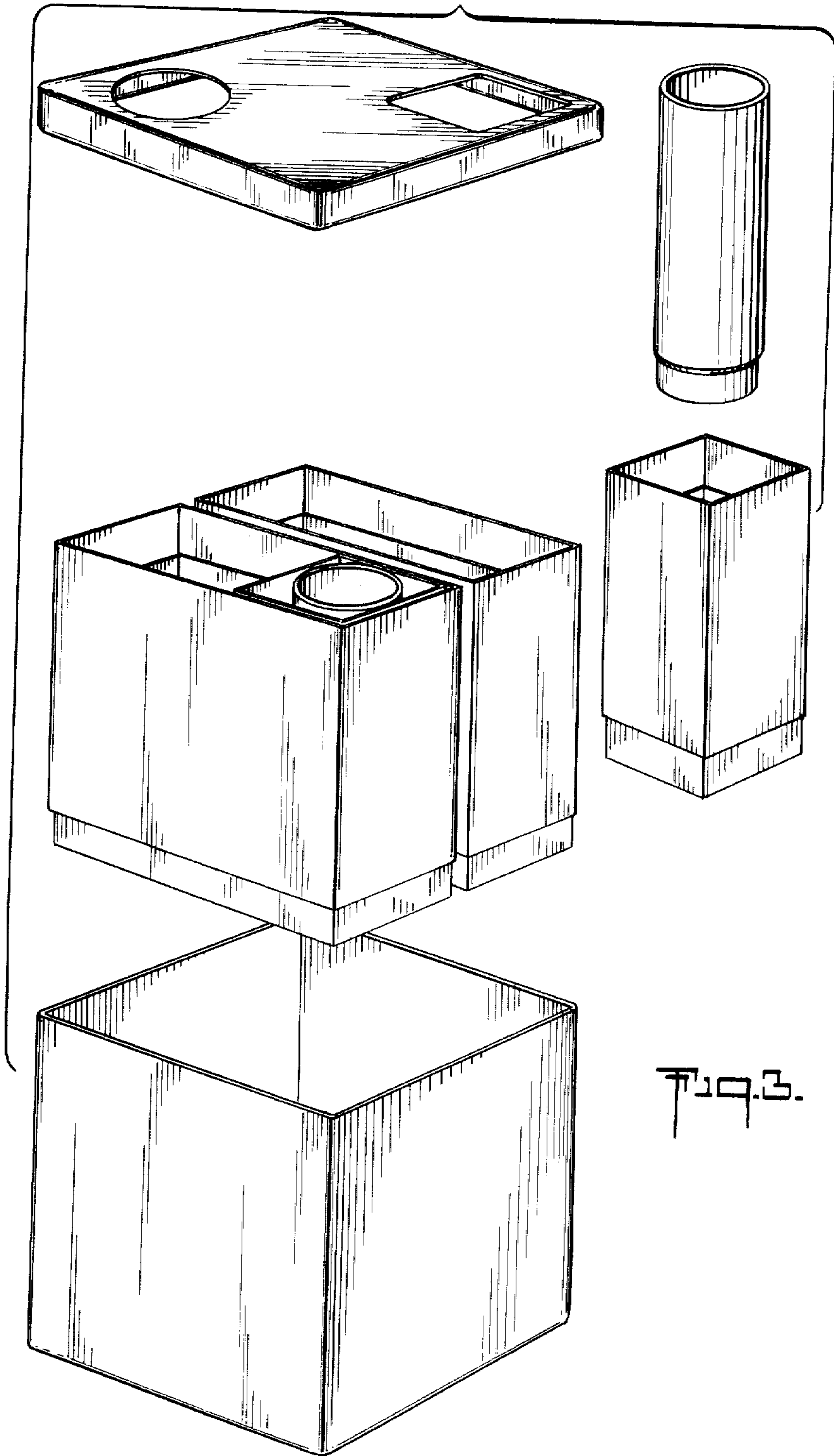


Fig. 3.