

- [54] DISPLAY CARD HOLDER
- [75] Inventor: Bernard E. Shuman, Merrick, N.Y.
- [73] Assignee: Eastern Electrical Equipment Co., Inc., Hicksville, N.Y.
- [**] Term: 14 Years
- [21] Appl. No.: 129,415
- [22] Filed: Mar. 12, 1980
- [51] Int. Cl. D20—02
- [52] U.S. Cl. D20/40; 40/10 R; 40/10 B; 40/10 D; 40/16; 40/16.4; 40/606; 40/611
- [58] Field of Search D20/40; 40/10 B, 10 R, 40/10 D, 16, 16.4, 606, 611

4,144,664 3/1979 DeKorte 40/10 D

Primary Examiner—Veronica O’Keefe
Attorney, Agent, or Firm—Darby & Darby

[57] CLAIM

The ornamental design for a display card holder, as shown and described.

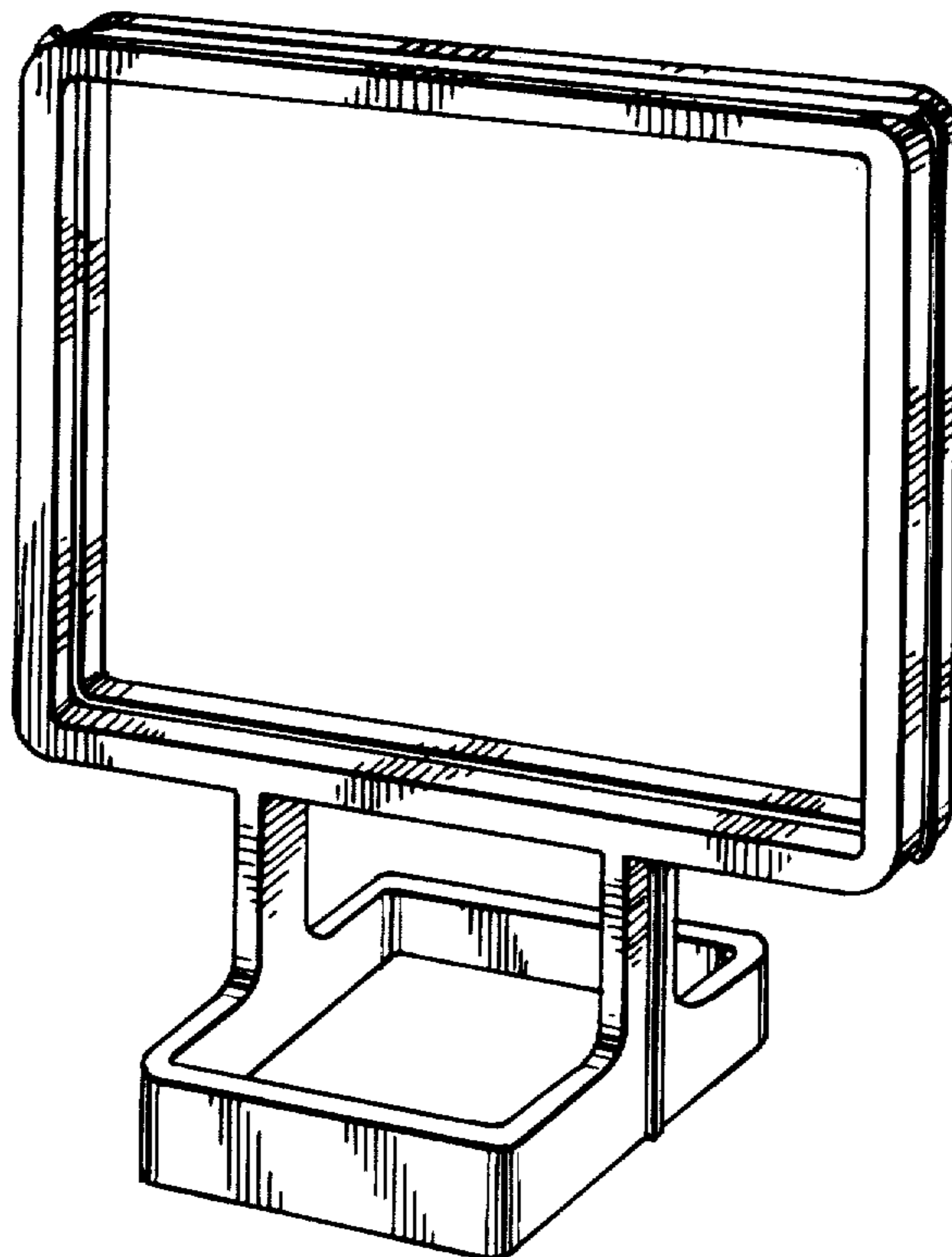
DESCRIPTION

FIG. 1 is a perspective view of a display card holder showing my new design;
 FIG. 2 is a front elevational view of a display card holder showing my new design;
 FIG. 3 is a top plan view of a display holder showing my new design;
 FIG. 4 is a side elevational view of a display card holder showing my new design;
 FIG. 5 is a bottom plan view of a display holder showing my new design; and
 FIGS. 6, 7, 8, 9 and 10 are respectively a perspective view, front elevational view, top plan view, side elevational view and bottom plan view of a second embodiment of a display card holder showing my new design.

[56] References Cited

U.S. PATENT DOCUMENTS

- 852,451 5/1907 Requa 40/16 UX
- 2,608,011 8/1952 Hoeve et al. 40/10 B
- 3,711,975 1/1973 Downing 40/10 R



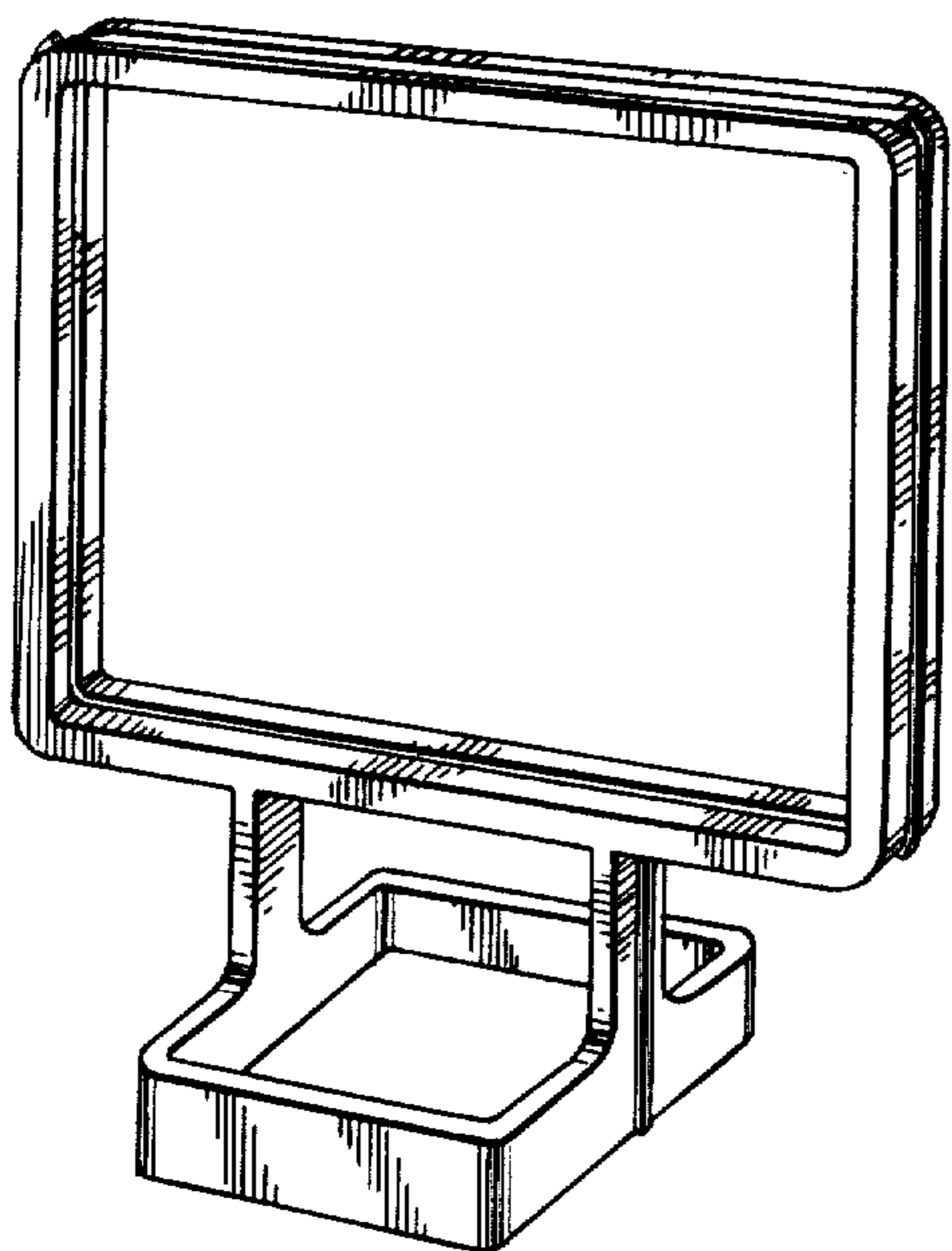


FIG. 1

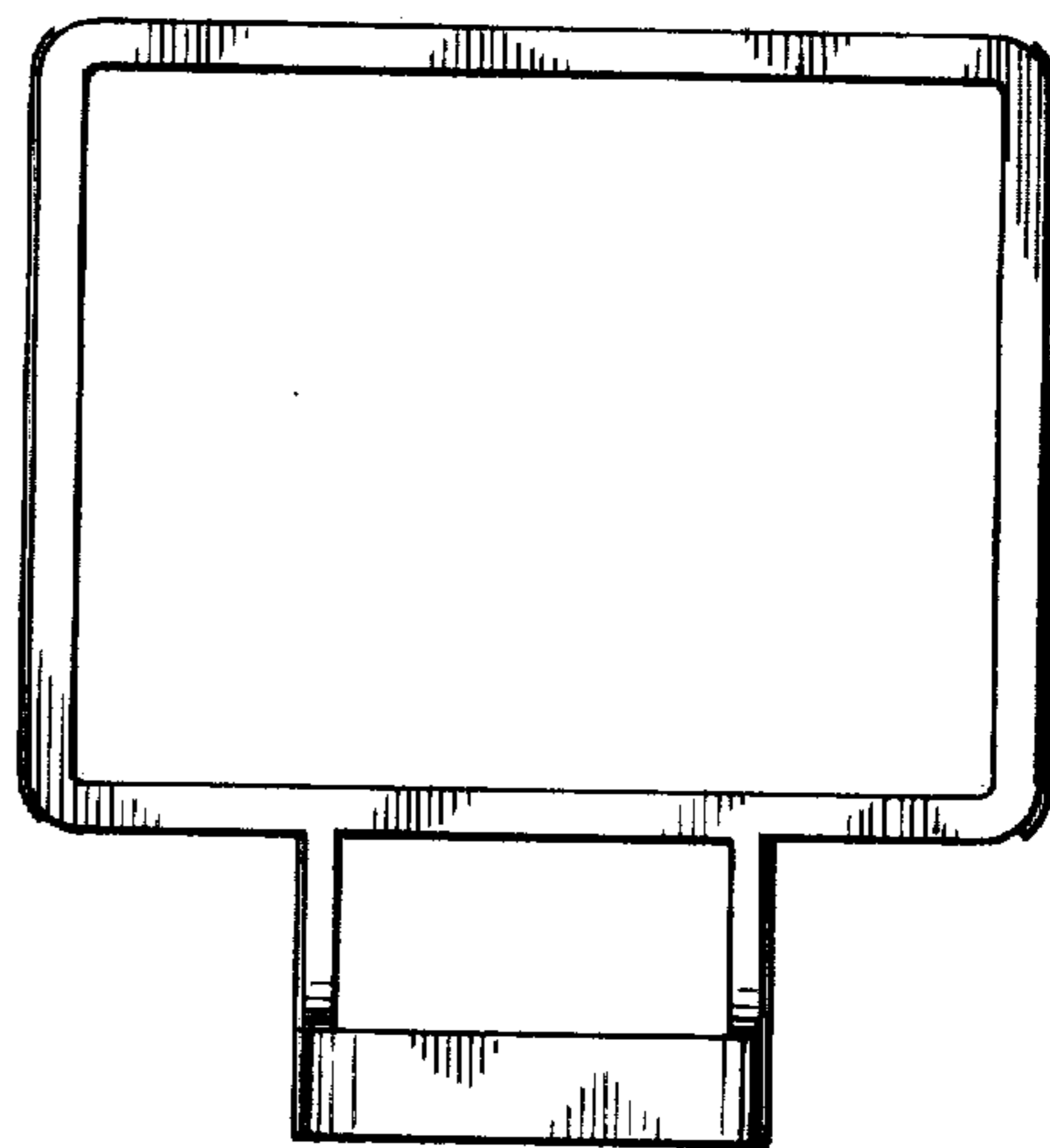


FIG. 2

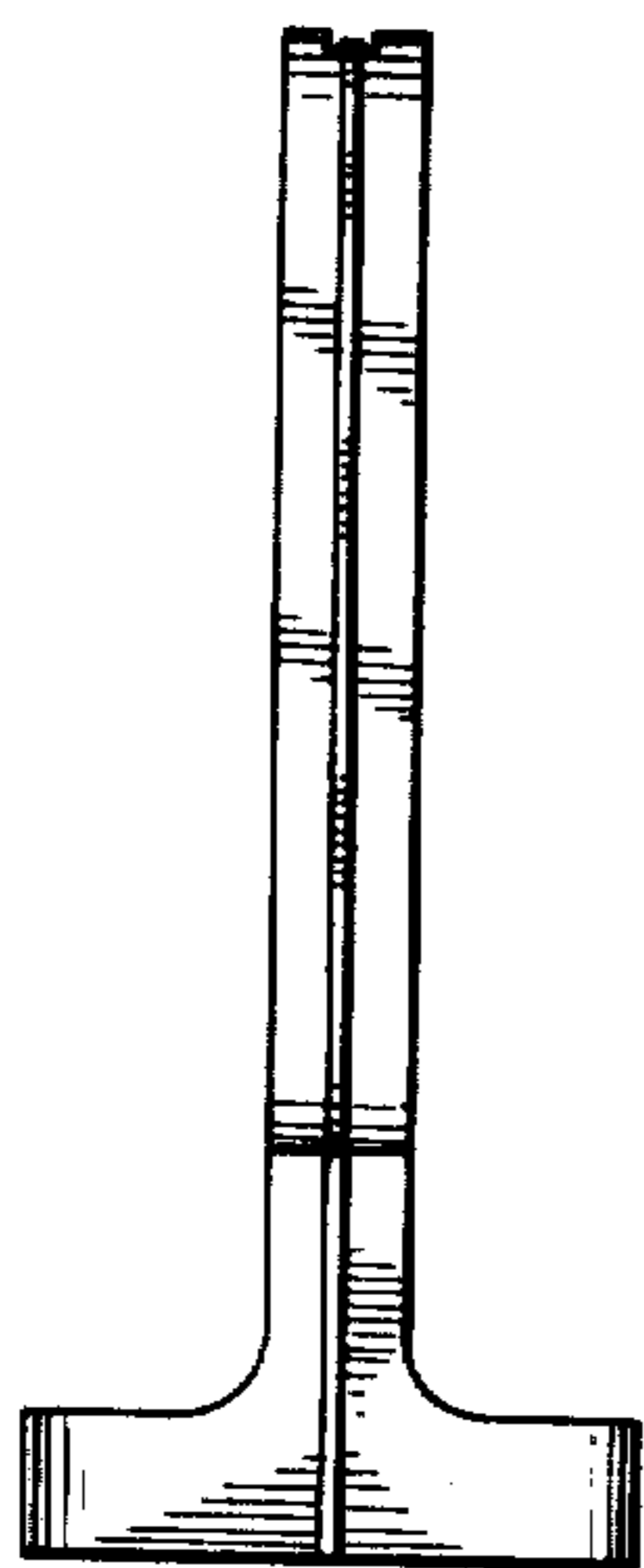


FIG. 4

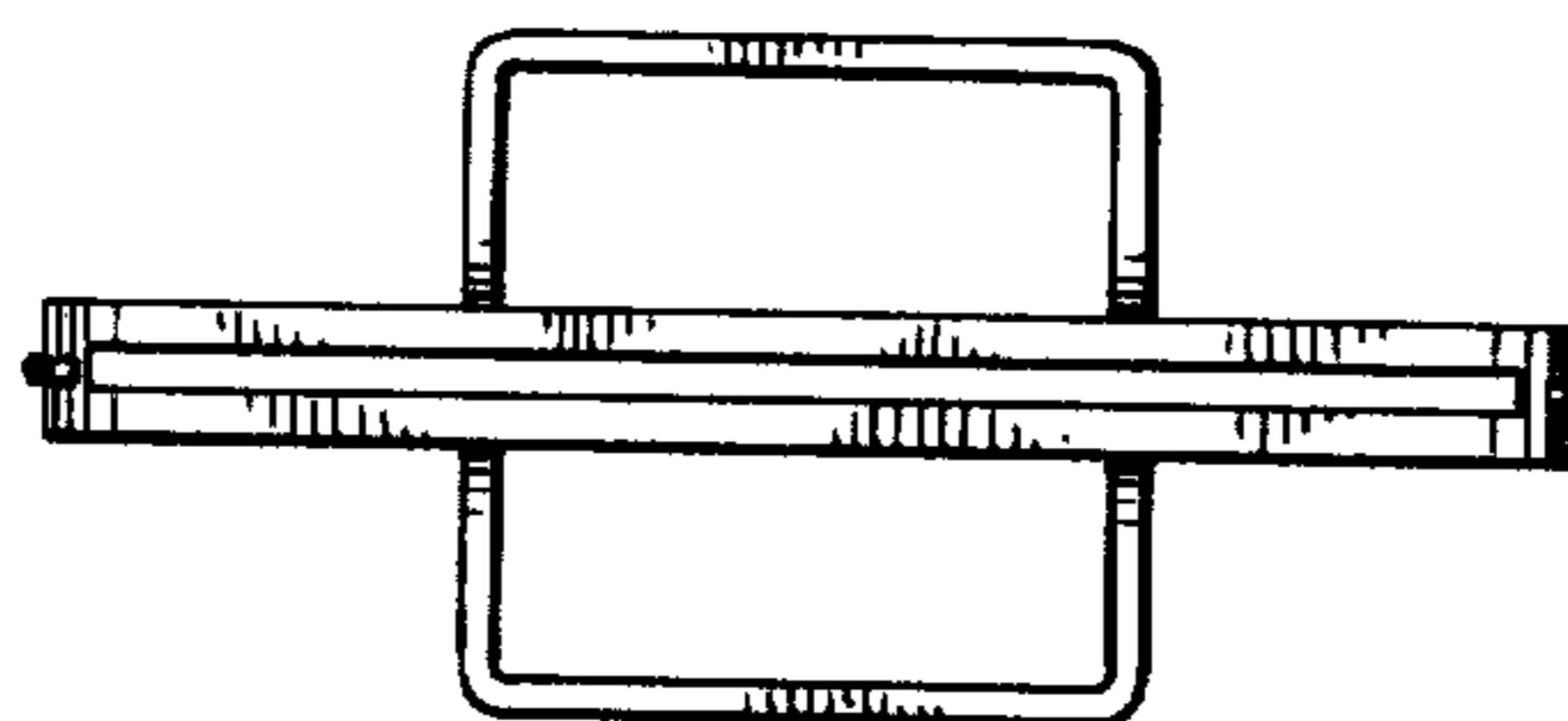


FIG. 3

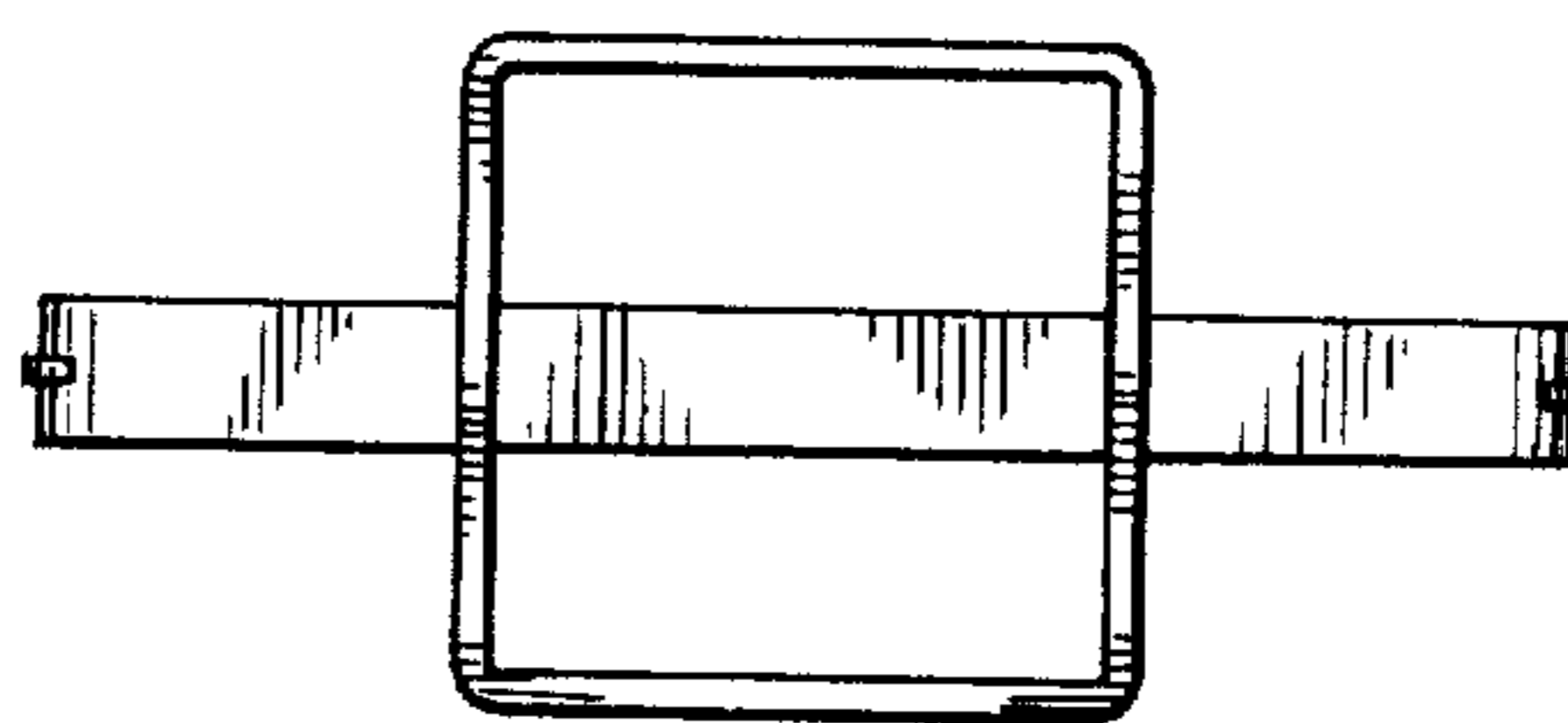


FIG. 5

FIG. 6

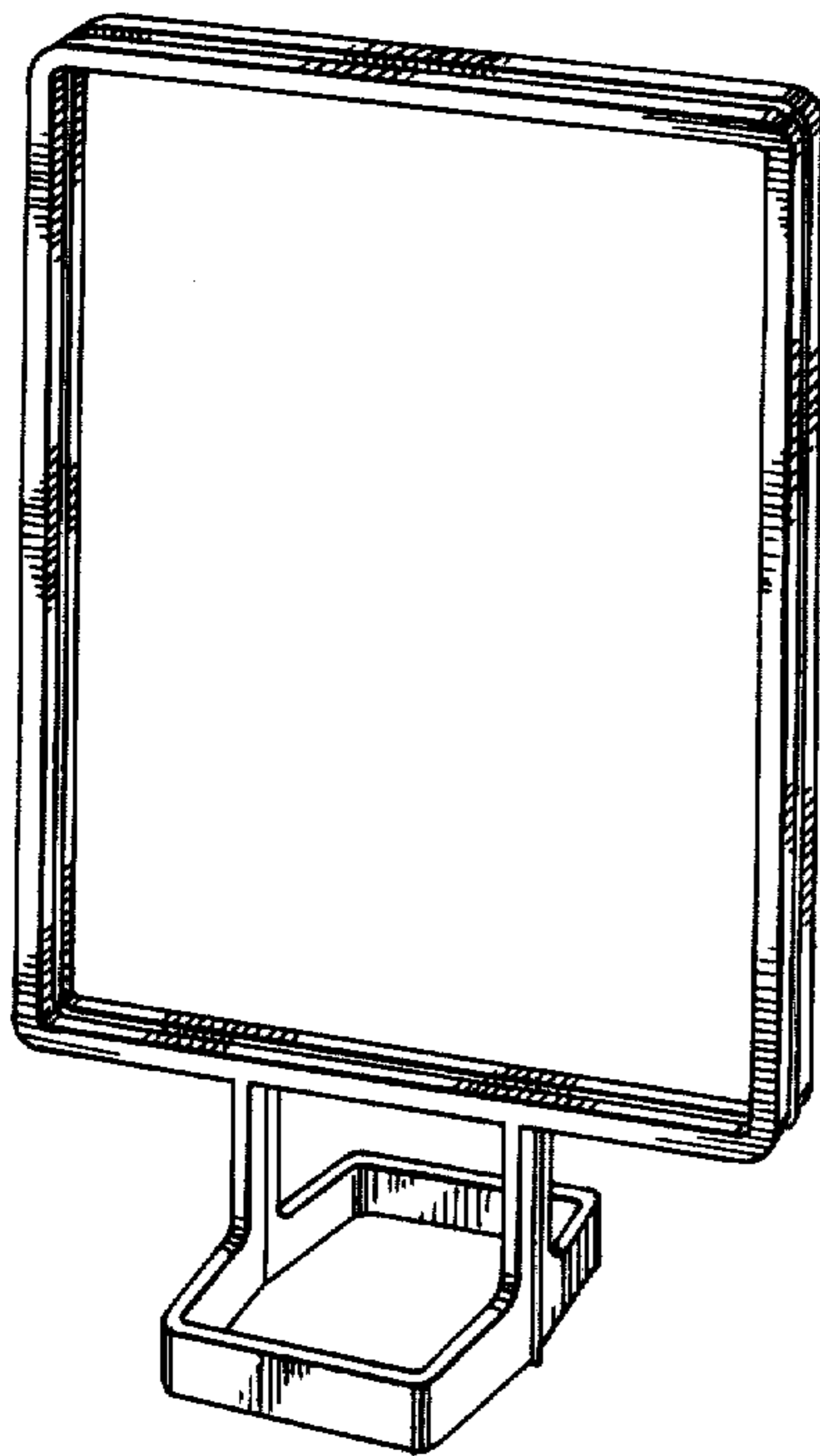


FIG. 7

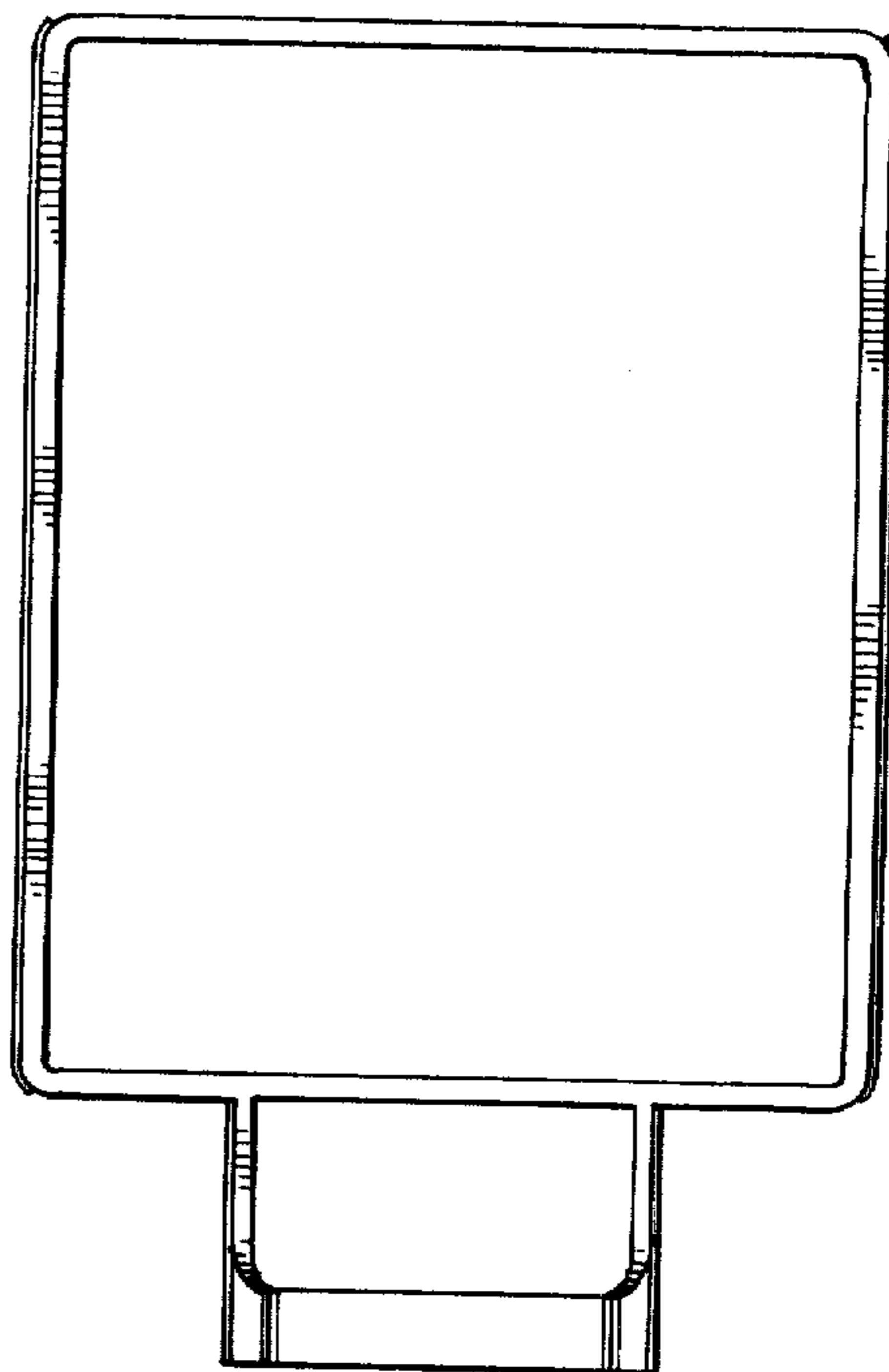


FIG. 9

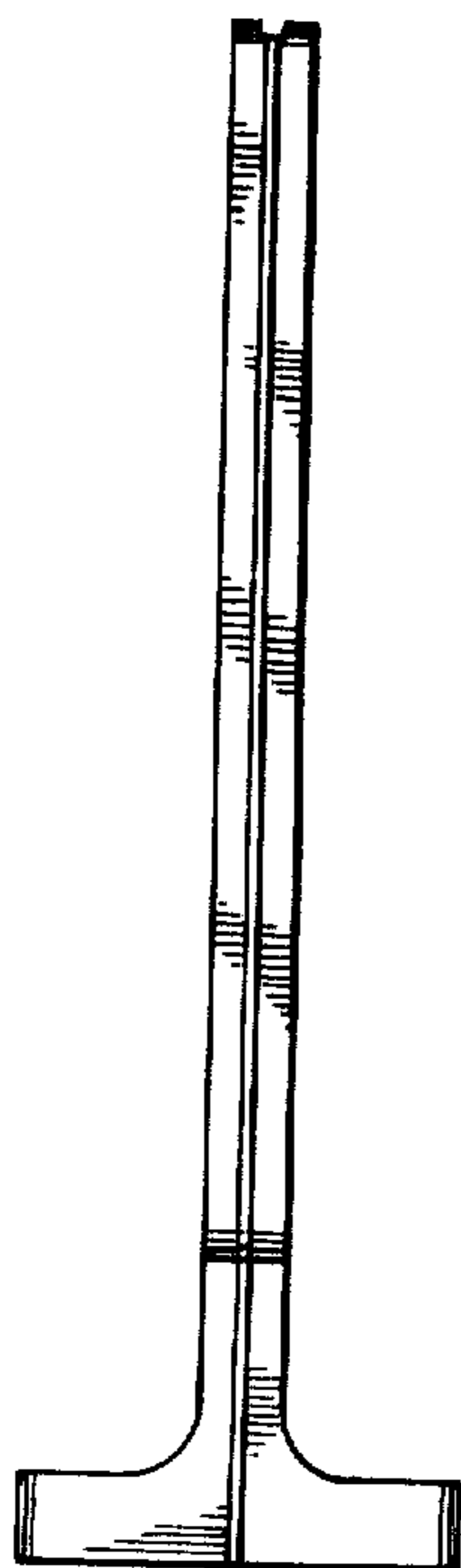


FIG. 8

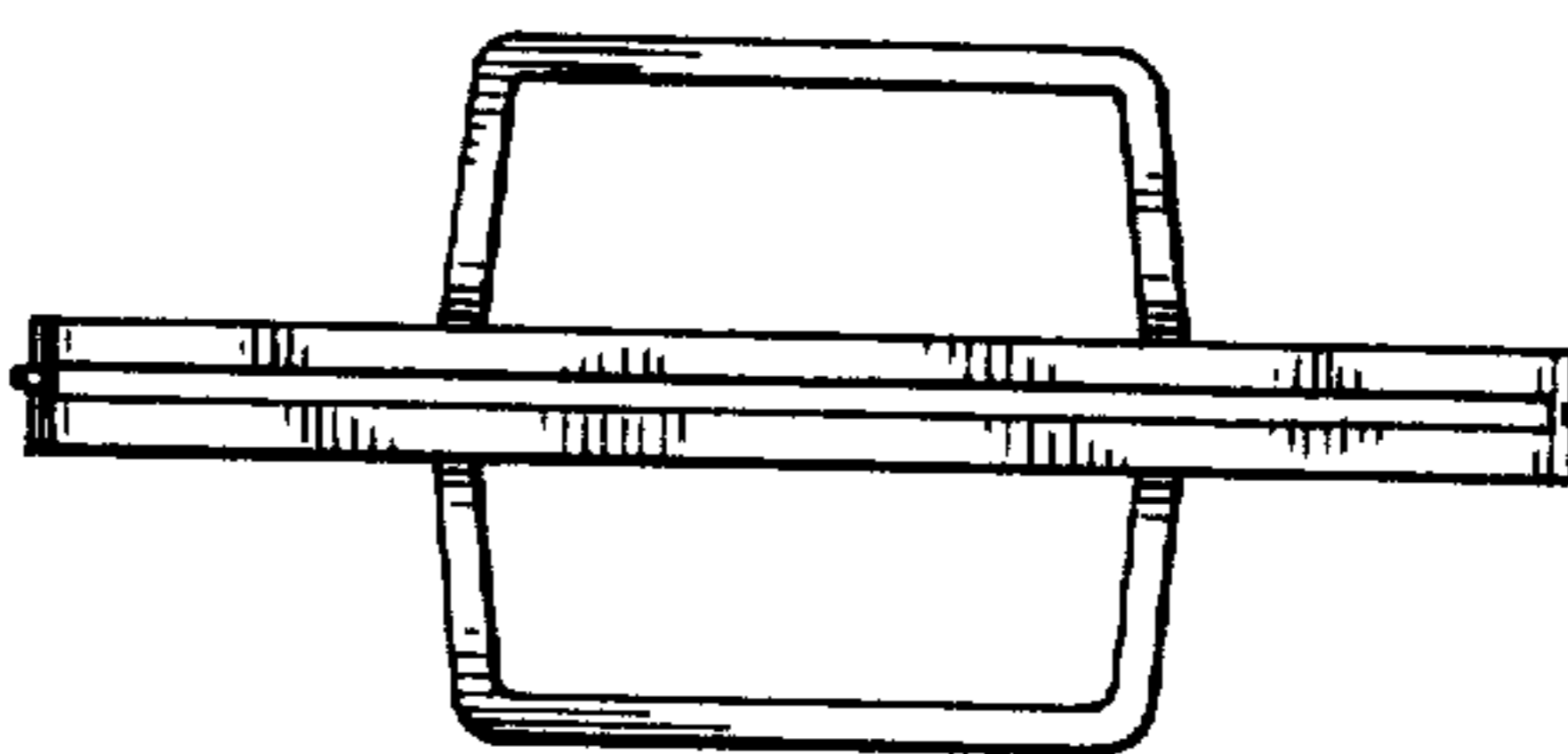


FIG. 10

