

[54] PEN

[76] Inventor: **Torsten Swensson, 76**  
 Västmannagatan, 113 26 Stockholm,  
 Sweden

[\*\*] Term: **14 Years**

[21] Appl. No.: **55,101**

[22] Filed: **Jul. 5, 1979**

[30] **Foreign Application Priority Data**  
 Jan. 5, 1979 [SE] Sweden ..... 79 00 34

[51] Int. Cl. .... **D19-06**

[52] U.S. Cl. .... **D19/46**

[58] Field of Search ..... D19/35, 36, 41-51,  
 D19/56, 57; 401/93, 30, 32, 33

[56] **References Cited**

**U.S. PATENT DOCUMENTS**

D. 48,970	5/1916	Fuller et al. ....	D19/42
D. 240,526	7/1976	Verona .....	D19/51
876,223	1/1908	Newman et al. ....	401/93
1,393,251	10/1921	Small .....	401/93

*Primary Examiner*—George P. Word  
*Attorney, Agent, or Firm*—William A. Drucker

[57] **CLAIM**

The ornamental design for a pen, as shown and described.

**DESCRIPTION**

FIG. 1 is a perspective view of a pen showing my new design;  
 FIG. 2 is a bottom rear perspective view thereof; and  
 FIG. 3 is a top front perspective view thereof.

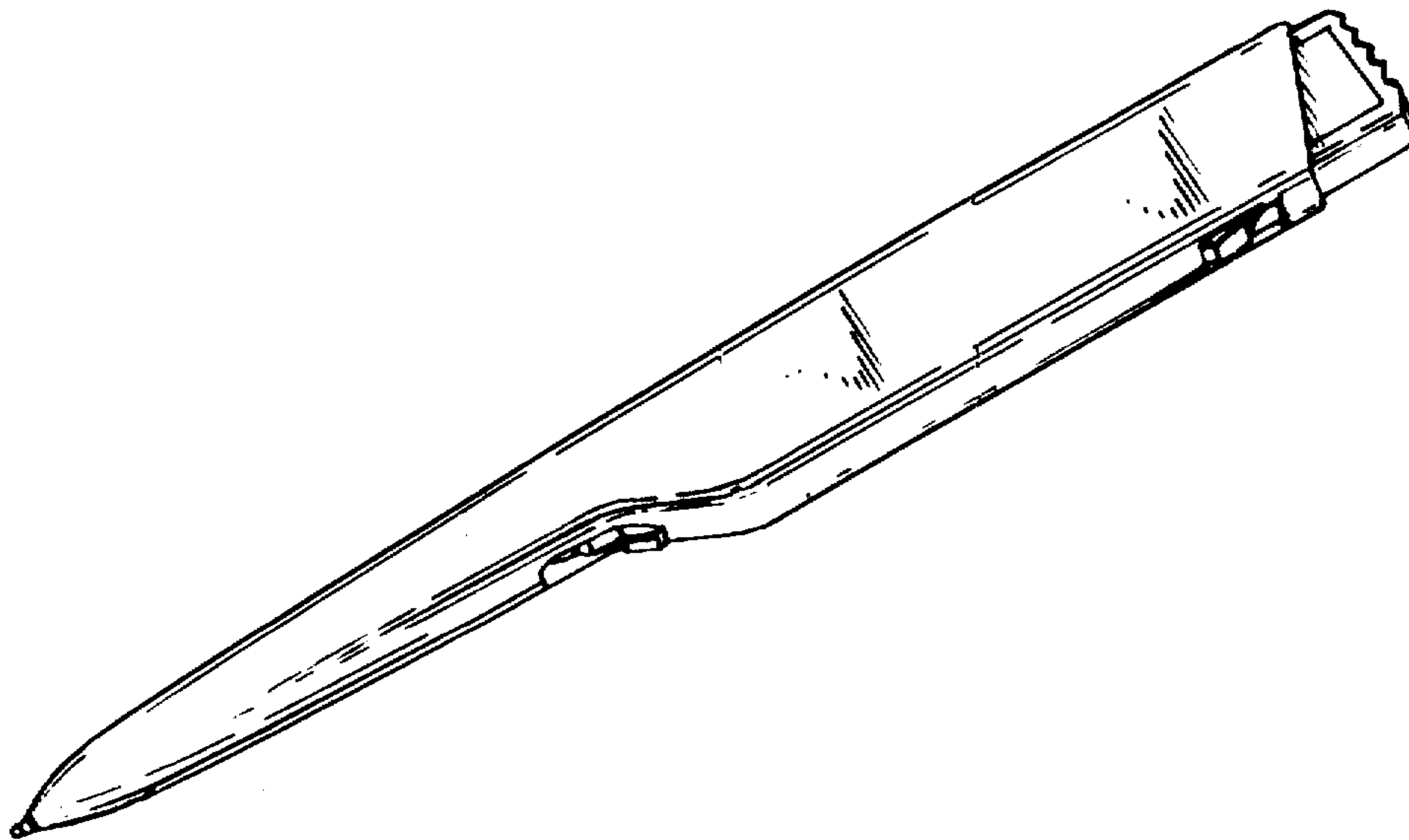


FIG. 1

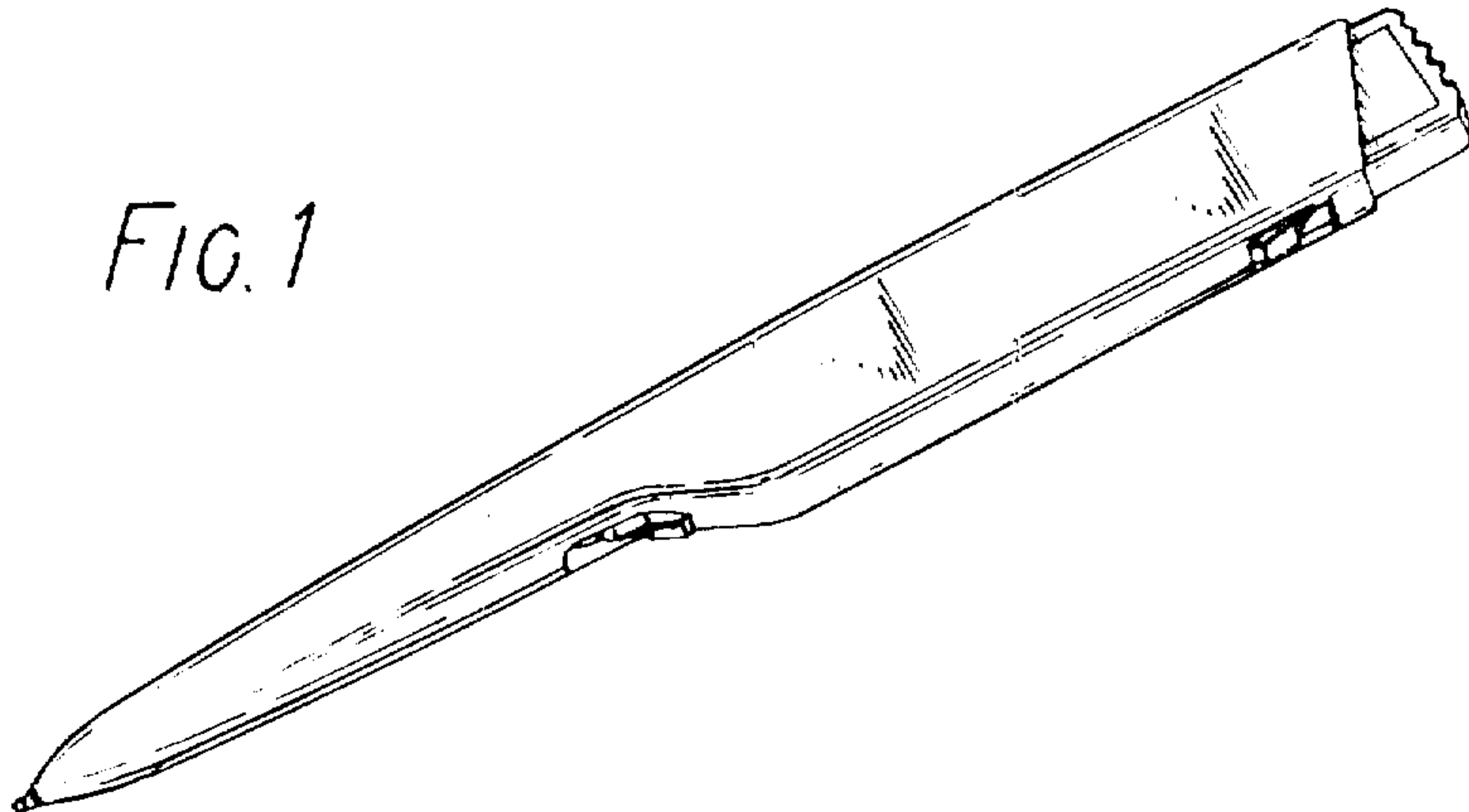


FIG. 2

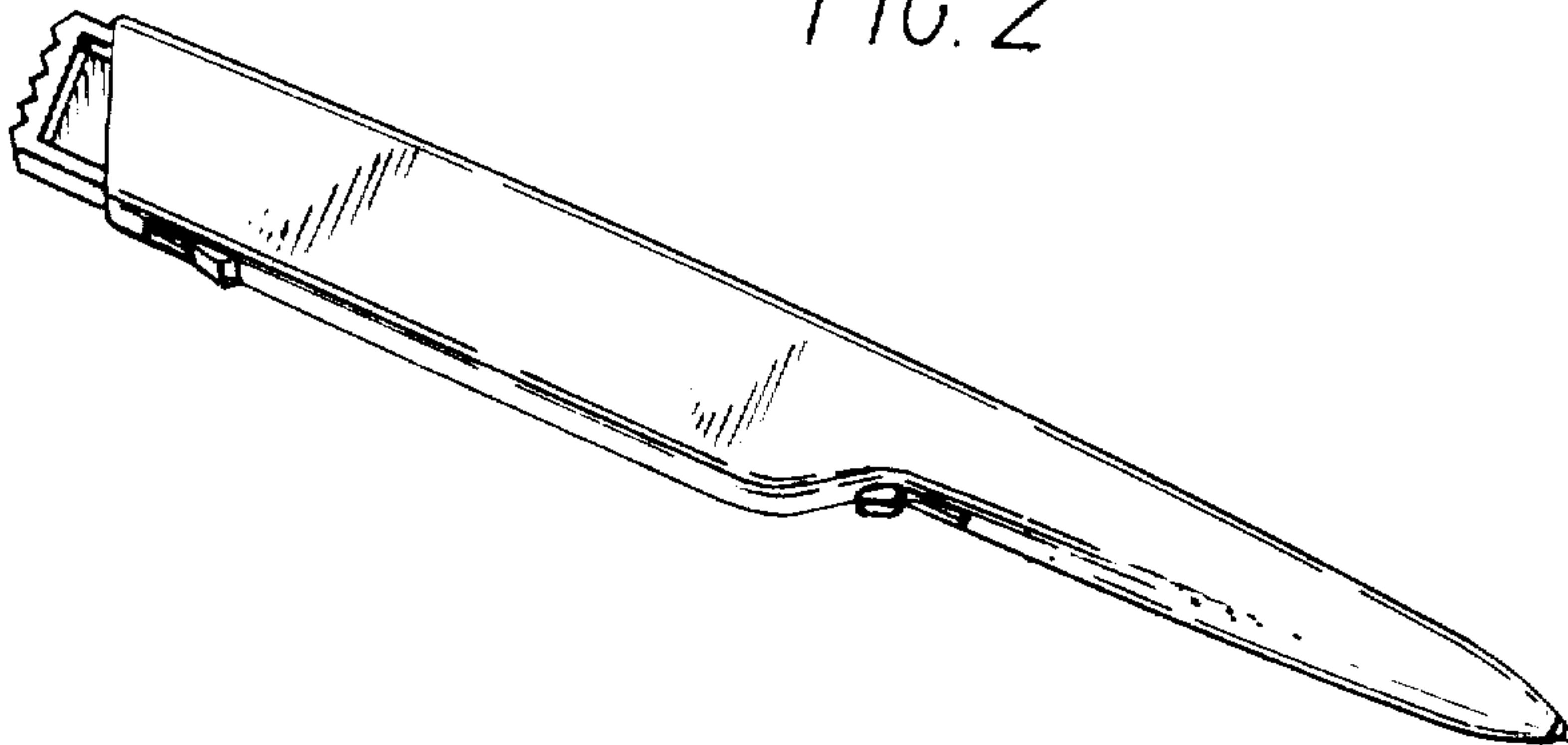


FIG. 3

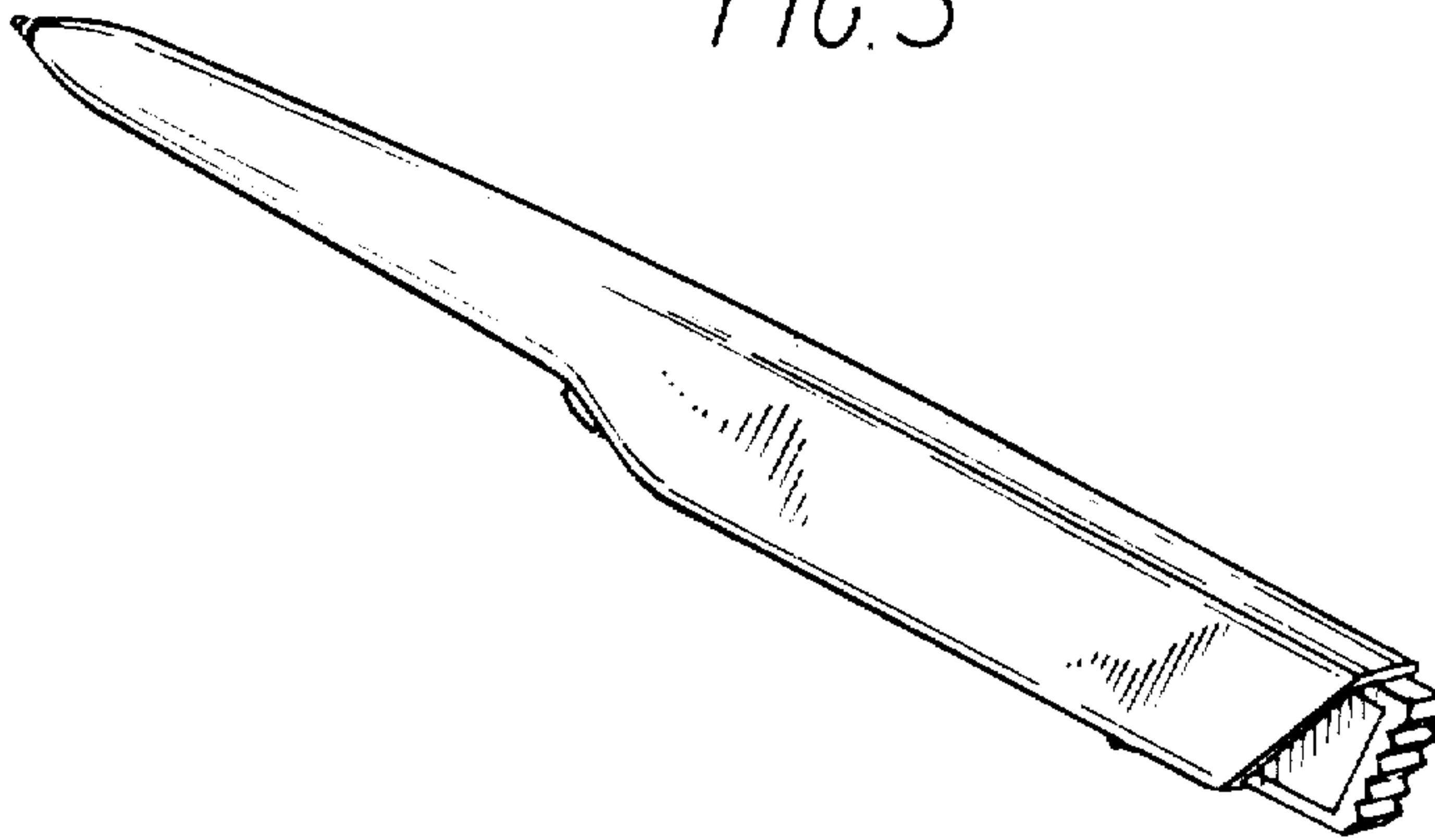


FIG. 1

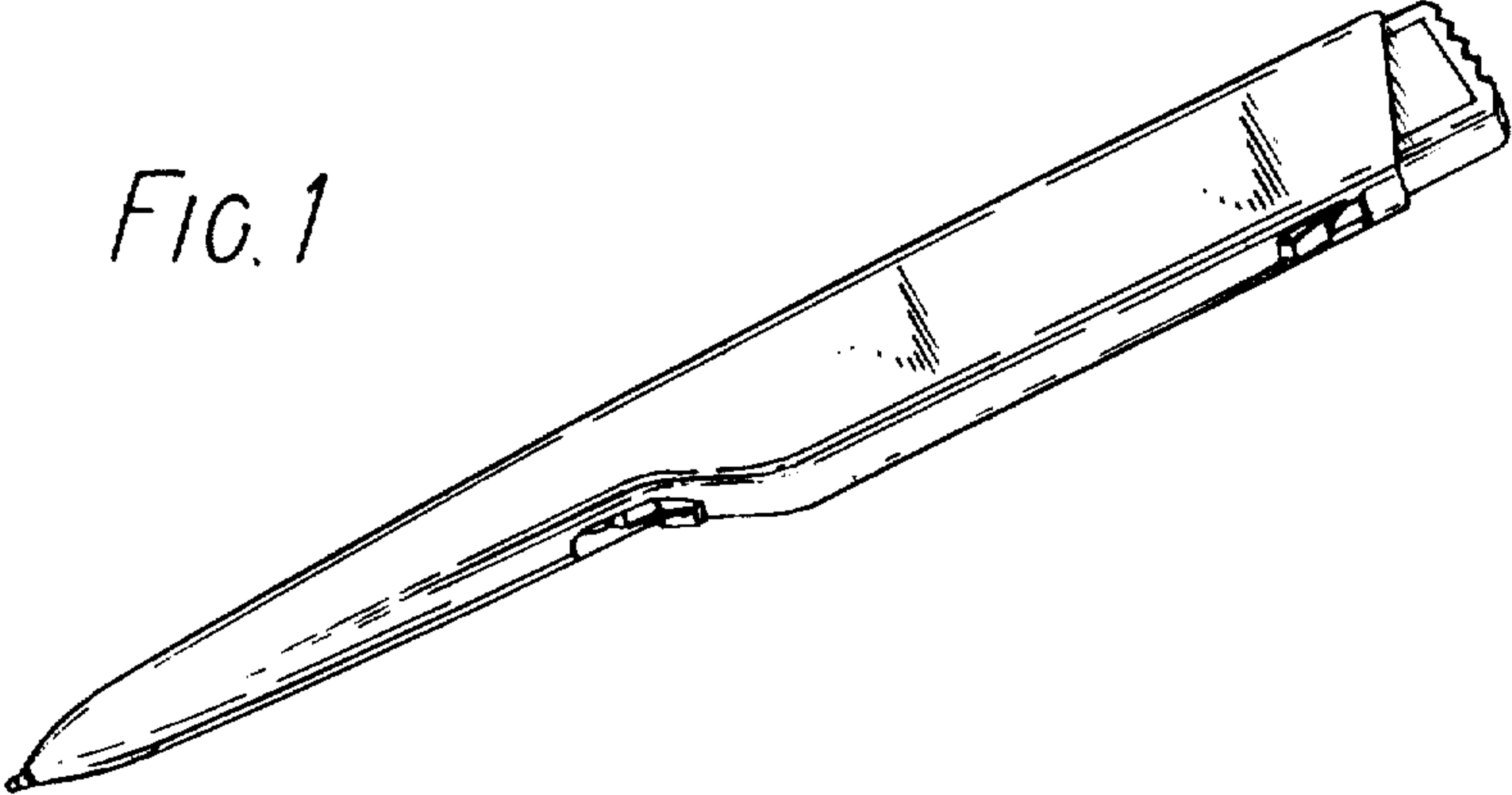


FIG. 2

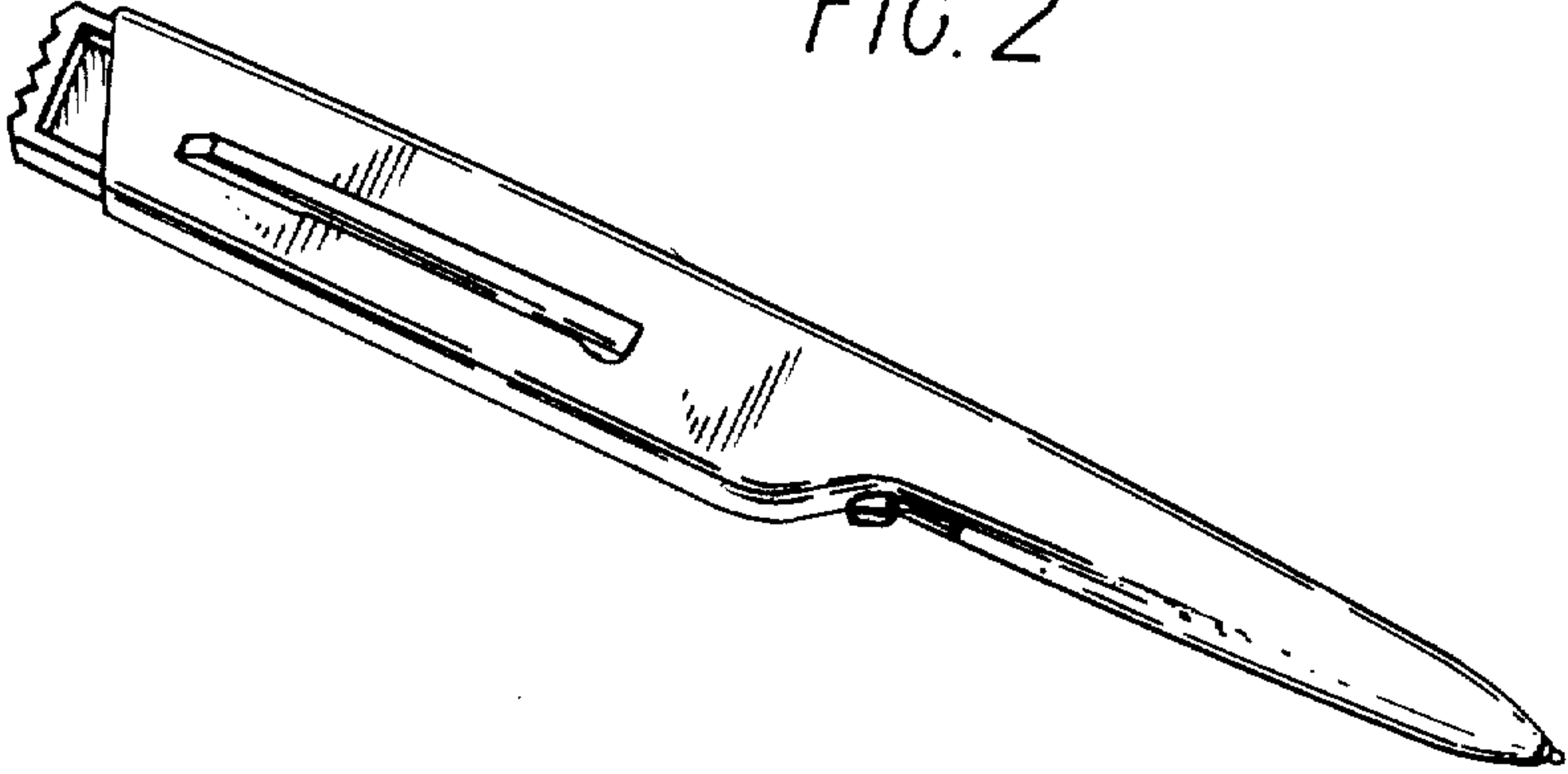


FIG. 3

