

[54] **CONTROLLED LETTERING SCRIBER**

[75] Inventor: **Allister L. Baker, Denville, N.J.**

[73] Assignee: **Keuffel & Esser Company,  
Morristown, N.J.**

[\*\*] Term: **14 Years**

[21] Appl. No.: **152,928**

[22] Filed: **May 23, 1980**

[51] Int. Cl. .... **D19-06**

[52] U.S. Cl. .... **D19/41**

[58] Field of Search ..... **D19/41, 35; D10/61;  
401/48; 33/23 D**

[56] **References Cited**

**U.S. PATENT DOCUMENTS**

3,218,717 11/1965 Hansen ..... 33/23 D  
3,276,126 10/1966 Sellen et al. .... 33/23 D  
3,440,727 4/1969 Danjczek ..... 33/23 D

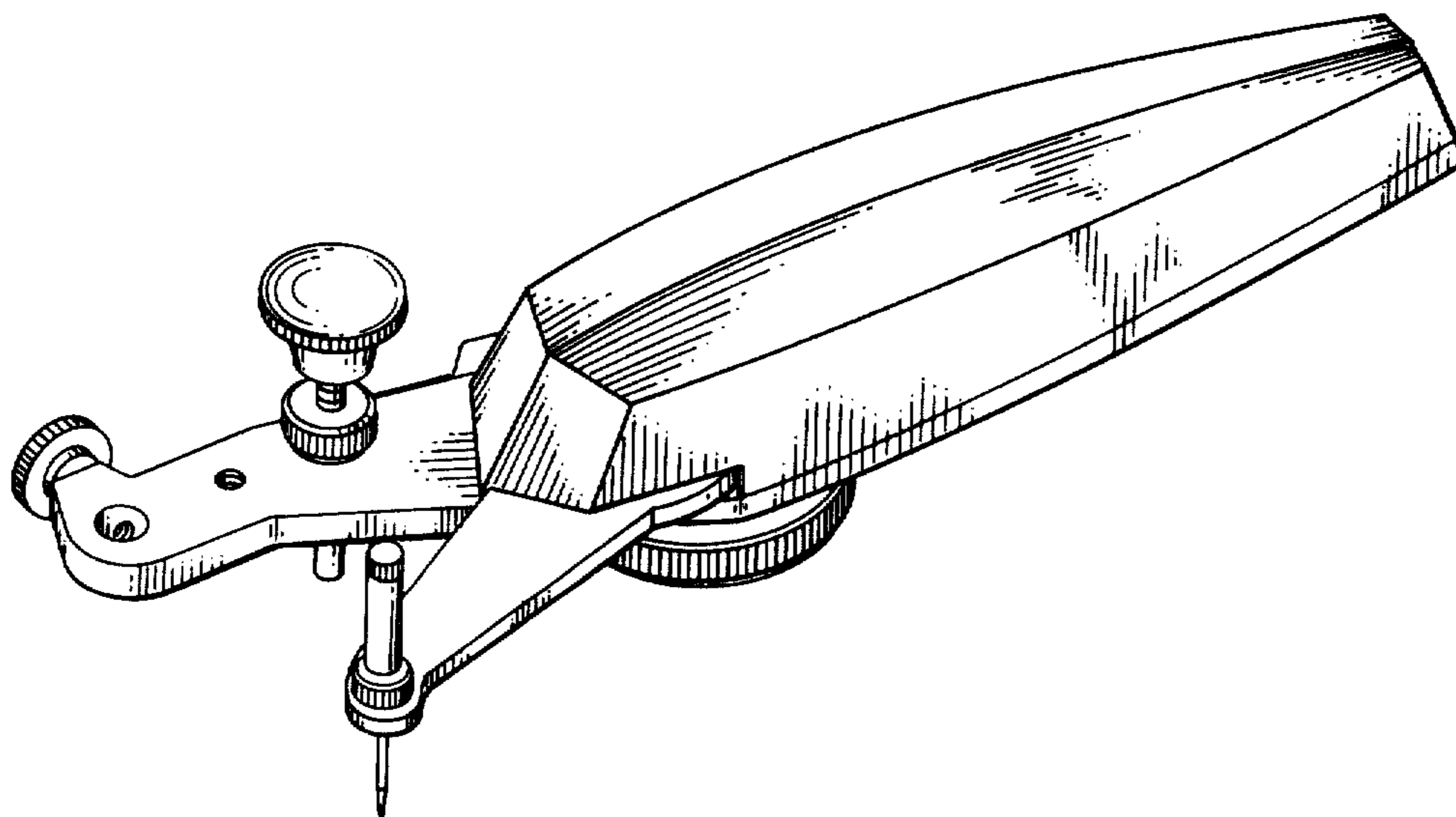
*Primary Examiner*—George P. Word  
*Attorney, Agent, or Firm*—Lionel N. White

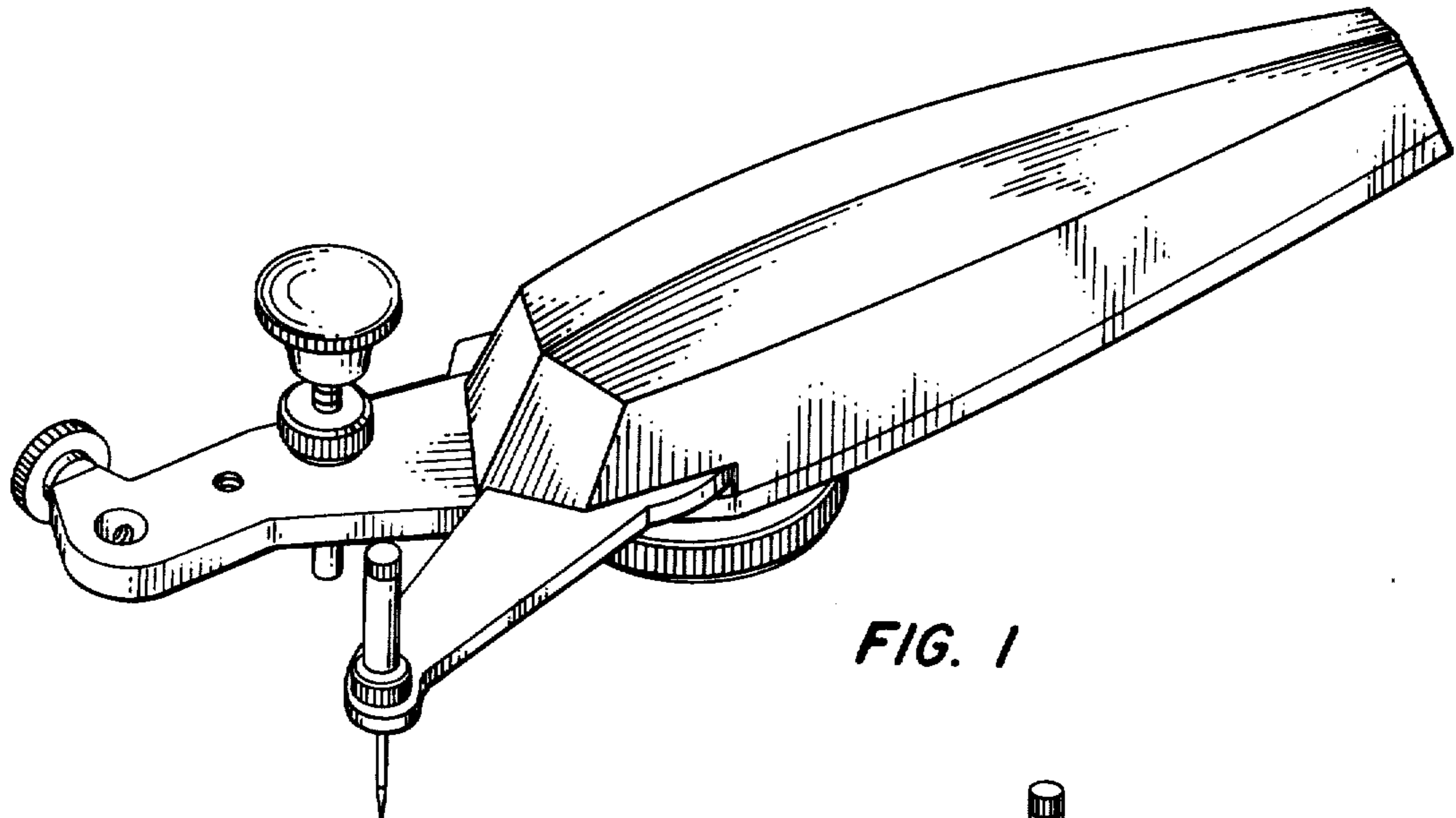
[57] **CLAIM**

The ornamental design for a controlled lettering scribe, as shown.

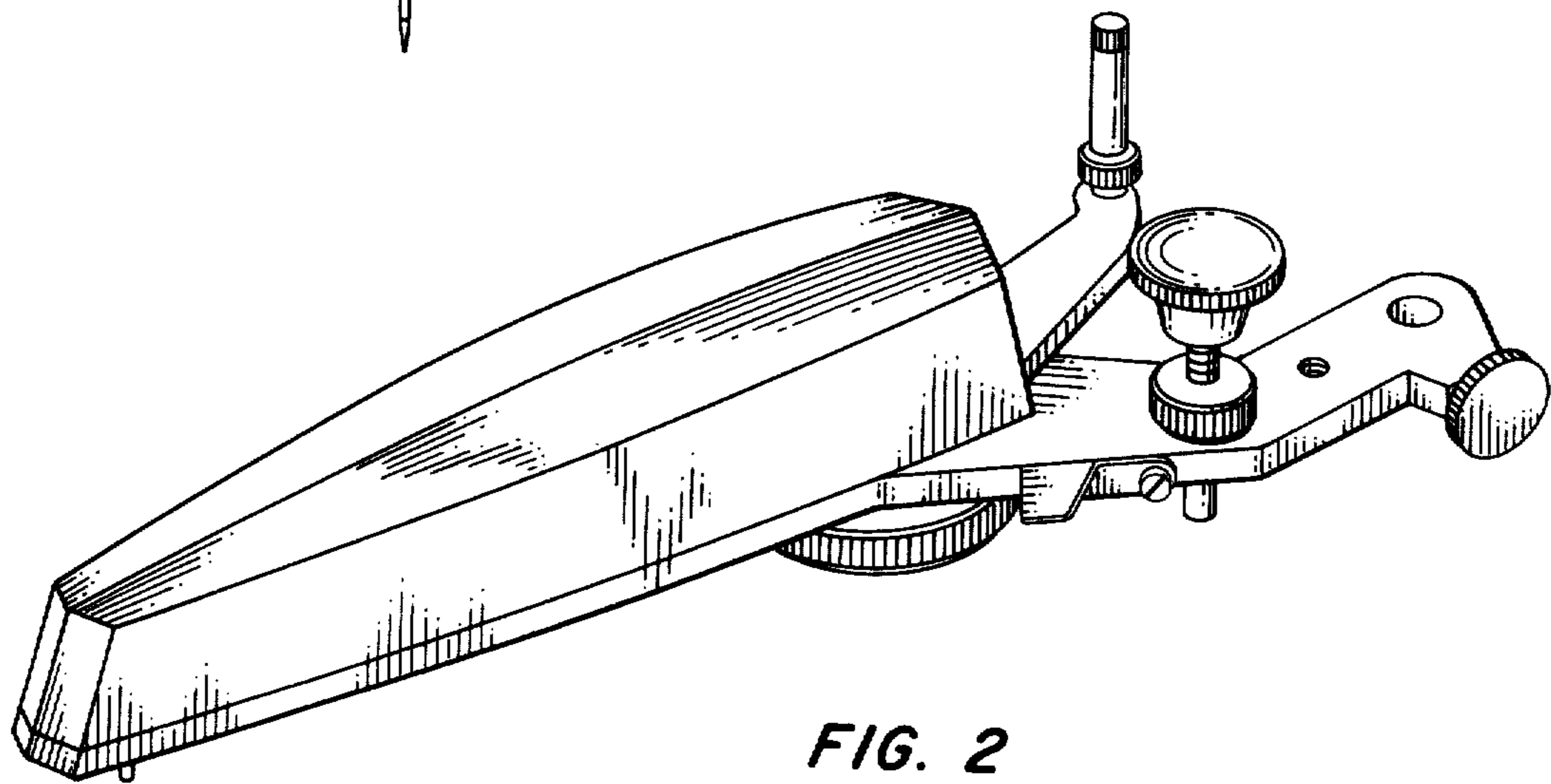
**DESCRIPTION**

FIG. 1 is a front perspective view of a controlled lettering scribe embodying my new design; FIG. 2 is a rear perspective view thereof; and FIG. 3 is a bottom plan view thereof.

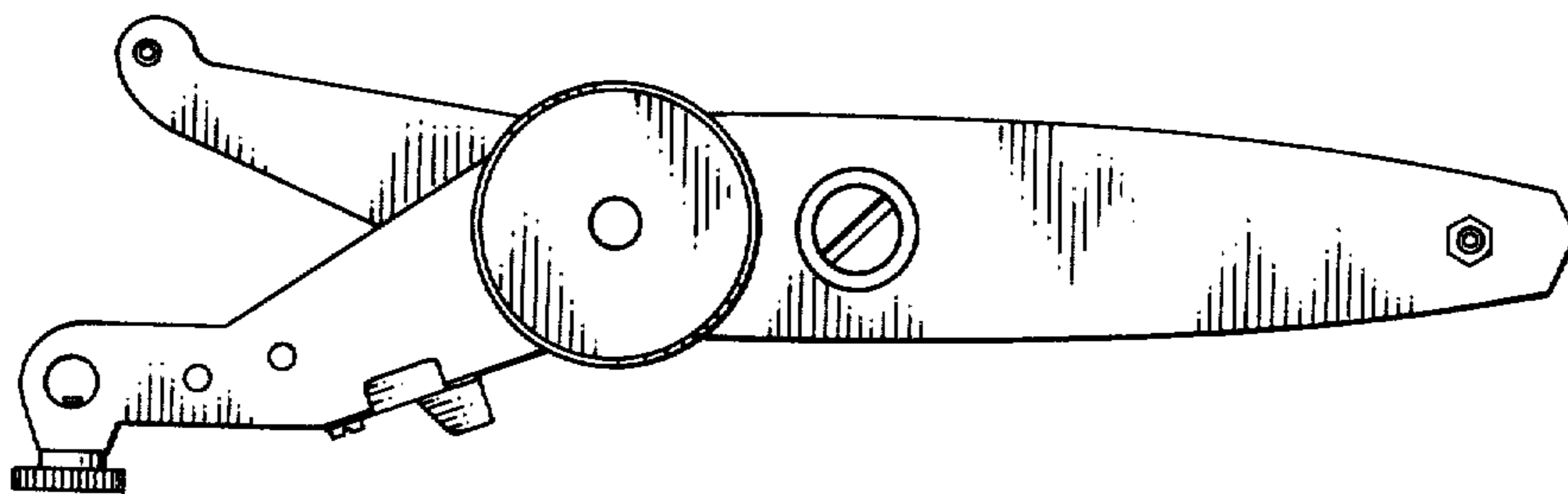




*FIG. 1*



*FIG. 2*



*FIG. 3*